

MCC16M12	16mm	12	5.8	20.0	14.0	12.0	42.5
MCC16M10	16mm	10	5.8	18.0	11.0	10.0	37.5
MCC16M8	16mm	8	5.8	15.0	9.0	8.0	33.5
MCC16M6	16mm	6	5.8	11.5	7.0	6.0	29.5
MCC16M5	16mm	5	5.8	11.5	6.5	6.0	29.0
MCC16M4	16mm	4	5.8	11.5	5.0	4.0	25.5
MCC10M12	10mm	12	4.6	19.0	14.0	12.0	39.5
MCC10M10	10mm	10	4.6	18.0	11.0	10.0	34.5
MCC10M8	10mm	8	4.6	15.0	9.0	8.0	30.5
MCC10M6	10mm	6	4.6	11.0	7.0	6.0	26.5
MCC10M5	10mm	5	4.6	10.0	6.5	6.0	26.0
MCC10M4	10mm	4	4.6	10.0	5.0	4.0	22.5
MCC6M10	6mm	10	3.6	16.0	11.0	10.0	33.5
MCC6M8	6mm	8	3.6	14.0	9.0	8.0	29.5
MCC6M6	6mm	6	3.6	11.0	7.0	6.0	25.5
MCC6M5	6mm	5	3.6	9.0	6.5	6.0	25.0
MCC6M4	6mm	4	3.6	8.0	5.0	4.0	21.5
MCC6M3.5	6mm	3.5	3.6	7.5	4.5	3.5	20.5
MCC6M3	6mm	3	3.6	7.5	4.5	3.5	20.5
CAT. NO.	Wire Size	Bolt Size mm	ϕD mm	C mm	B mm	F mm	A mm

GENERAL NOTES

1. DIMENSIONS IN PARENTHESES () ARE IN METRIC UNITS.

REVISIONS

1 SEE ERN 2009232 FOR APPROVAL SIGNATURES
PROJECT NO: CD55621

Color-Keyed[®] **Thomas & Betts**
www.tnb.com

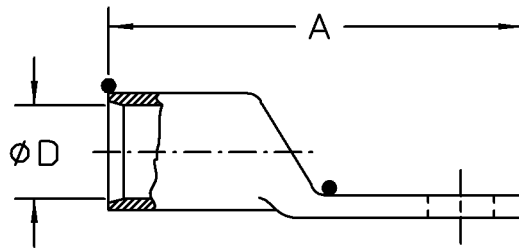
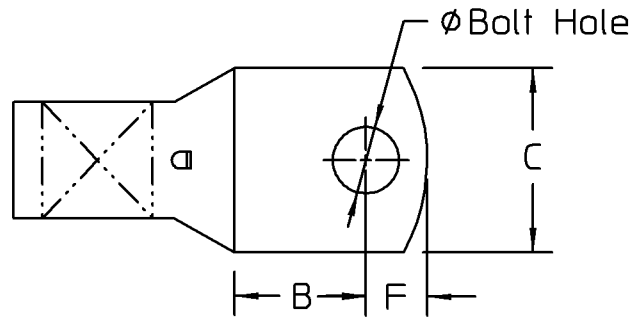
DESCRIPTION: METRIC COPPER ONE HOLE LUG

ORIGINAL PROJECT NO / (ERN NO)
CD55621 / (2005315)

SHEET NO:
1 OF 5

REV. NO:
1

DRAWING NO:
WSD-000151



MCC50M16	50mm	16	10.0	26.0	18.0	16.0	59.5
MCC50M14	50mm	14	10.0	25.0	16.0	14.0	55.5
MCC50M12	50mm	12	10.0	21.0	14.0	12.0	51.5
MCC50M10	50mm	10	10.0	20.0	11.0	10.0	46.5
MCC50M8	50mm	8	10.0	19.0	9.0	8.0	42.5
MCC50M6	50mm	6	10.0	19.0	8.0	7.0	40.5
MCC35M12	35mm	12	8.9	21.0	14.0	12.0	47.5
MCC35M10	35mm	10	8.9	19.0	11.0	10.0	42.5
MCC35M8	35mm	8	8.9	17.0	9.0	8.0	38.5
MCC35M6	35mm	6	8.9	17.0	7.0	6.0	34.5
MCC35M5	35mm	5	8.9	17.0	6.5	6.0	34.0
MCC25M12	25mm	12	7.0	21.0	14.0	12.0	45.0
MCC25M10	25mm	10	7.0	18.0	11.0	10.0	40.0
MCC25M8	25mm	8	7.0	15.0	9.0	8.0	36.0
MCC25M6	25mm	6	7.0	14.0	7.0	6.0	32.0
MCC25M5	25mm	5	7.0	14.0	6.5	6.0	31.5
MCC25M4	25mm	4	7.0	14.0	5.0	4.0	28.0
T&B CAT. NO.	Wire Size	Bolt Size mm	ϕD mm	C mm	B mm	F mm	A mm

GENERAL NOTES

1. DIMENSIONS IN PARENTHESES () ARE IN METRIC UNITS.

REVISIONS

1
SEE SHEET ONE FOR REVISIONS

Color-Keyed[®] Thomas & Betts
www.tnb.com

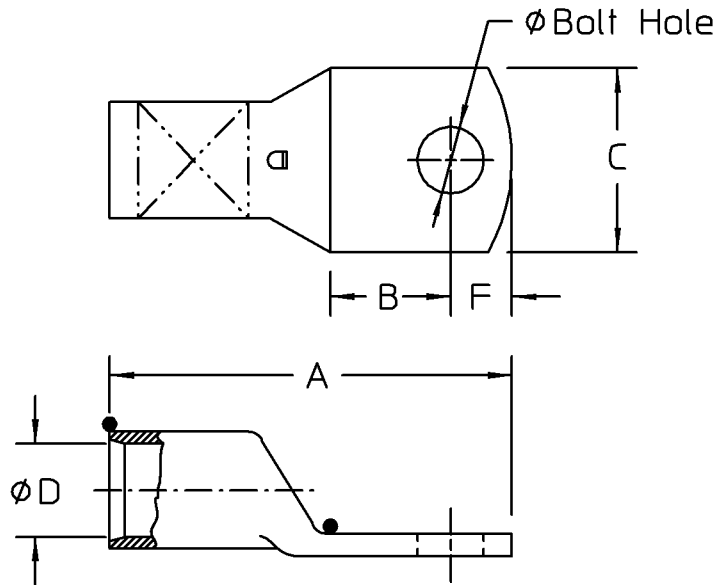
DESCRIPTION: METRIC COPPER ONE HOLE LUG

ORIGINAL PROJECT NO / (ERN NO)
C055621 / (2005315)

SHEET NO:
2 OF 5

REV. NO:
1

DRAWING NO:
WSD-000151



MCC120M20	120mm	20	15.2	30.0	22.0	20.0	79.0	
MCC120M16	120mm	16	15.2	28.5	19.0	16.0	71.0	
MCC120M14	120mm	14	15.2	28.5	16.0	14.0	67.0	
MCC120M12	120mm	12	15.2	28.5	14.0	12.0	63.0	
MCC120M10	120mm	10	15.2	28.5	11.0	10.0	58.0	
MCC120M8	120mm	8	15.2	28.5	9.0	8.0	54.0	
MCC120M6	120mm	6	15.2	28.5	8.0	7.0	53.0	
MCC95M20	95mm	20	13.5	29.5	22.0	20.0	77.5	
MCC95M16	95mm	16	13.5	27.0	18.0	16.0	69.5	
MCC95M14	95mm	14	13.5	25.0	16.0	14.0	65.5	
MCC95M12	95mm	12	13.5	25.0	14.0	12.0	61.5	
MCC95M10	95mm	10	13.5	25.0	11.0	10.0	56.5	
MCC95M8	95mm	8	13.5	25.0	9.0	8.0	52.5	
MCC95M6	95mm	6	13.5	25.0	8.0	7.0	50.5	
MCC70M16	70mm	16	11.3	26.0	18.0	16.0	63.0	
MCC70M14	70mm	14	11.3	25.0	16.0	14.0	59.0	
MCC70M12	70mm	12	11.3	22.0	14.0	12.0	55.0	
MCC70M10	70mm	10	11.3	21.0	11.0	10.0	50.0	
MCC70M8	70mm	8	11.3	21.0	9.0	8.0	46.0	
MCC70M6	70mm	6	11.3	21.0	8.0	7.0	44.0	
T&B CAT. NO.	Wire Size	Bolt Size	mm	ϕD mm	C mm	B mm	F mm	A mm

GENERAL NOTES

1. DIMENSIONS IN PARENTHESES () ARE IN METRIC UNITS.

REVISIONS

1

SEE SHEET ONE FOR REVISIONS

Color-Keyed[®] Thomas & Betts
www.tnb.com

DESCRIPTION:

METRIC COPPER ONE HOLE LUG

ORIGINAL PROJECT NO / (ERN NO)

C055621 / (2005315)

SHEET NO:

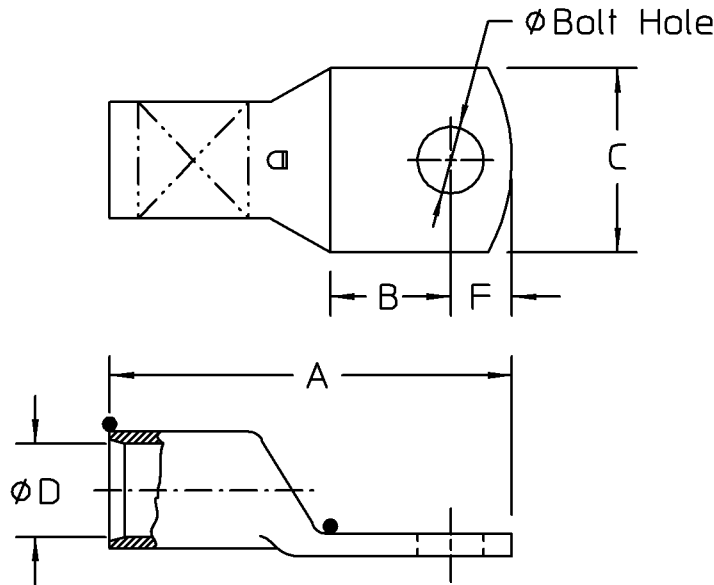
3 OF 5

REV. NO:

1

DRAWING NO:

WSD-000151



MCC240M20	240mm	20	21.1	39.0	22.0	20.0	100.0
MCC240M16	240mm	16	21.1	39.0	19.0	17.0	94.0
MCC240M14	240mm	14	21.1	39.0	18.0	16.0	92.0
MCC240M12	240mm	12	21.1	39.0	16.0	14.0	88.0
MCC240M10	240mm	10	21.1	39.0	13.0	11.0	82.0
MCC240M8	240mm	8	21.1	39.0	13.0	11.0	82.0
MCC185M20	185mm	20	19.2	35.5	22.0	20.0	94.0
MCC185M16	185mm	16	19.2	35.5	19.0	17.0	88.0
MCC185M14	185mm	14	19.2	35.5	18.0	16.0	86.0
MCC185M12	185mm	12	19.2	35.5	16.0	14.0	82.0
MCC185M10	185mm	10	19.2	35.5	13.0	11.0	76.0
MCC185M8	185mm	8	19.2	35.5	13.0	11.0	76.0
MCC150M20	150mm	20	16.7	31.5	22.0	20.0	87.0
MCC150M16	150mm	16	16.7	31.5	19.0	17.0	81.0
MCC150M14	150mm	14	16.7	31.5	18.0	16.0	79.0
MCC150M12	150mm	12	16.7	31.5	16.0	14.0	75.0
MCC150M10	150mm	10	16.7	31.5	13.0	11.0	69.0
MCC150M8	150mm	8	16.7	31.5	13.0	11.0	69.0
T&B CAT. NO.	Wire Size	Bolt Size mm	ϕD mm	C mm	B mm	F mm	A mm

GENERAL NOTES

1. DIMENSIONS IN PARENTHESES () ARE IN METRIC UNITS.

REVISIONS

1

SEE SHEET FOR REVISIONS

Color-Keyed[®] Thomas & Betts
www.tnb.com

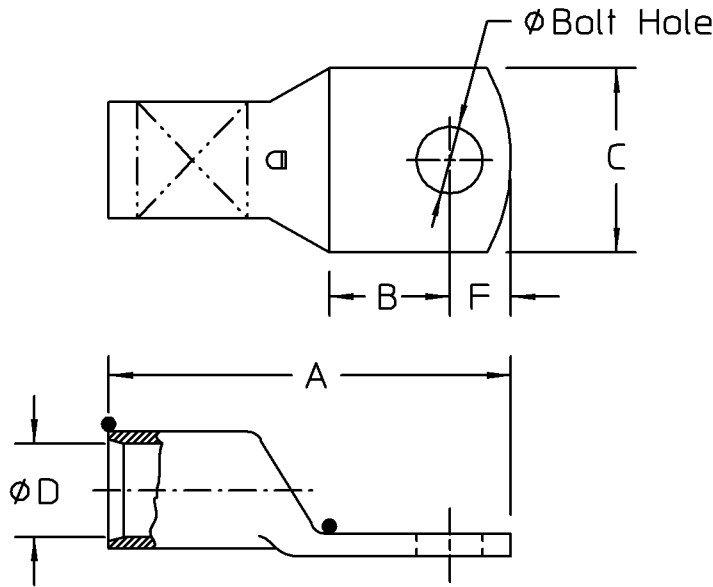
DESCRIPTION: METRIC COPPER ONE HOLE LUG

ORIGINAL PROJECT NO / (ERN NO)
C055621 / (2005315)

SHEET NO:
4 OF 5

REV. NO:
1

DRAWING NO:
WSD-000151



MCC1000M20	1000mm	20	44.0	80.0	24.0	23.0	162.0
MCC1000M16	1000mm	16	44.0	80.0	24.0	19.0	158.0
MCC800M20	800mm	20	38.0	72.0	24.0	23.0	145.0
MCC800M16	800mm	16	38.0	72.0	24.0	19.0	141.0
MCC630M20	630mm	20	33.4	61.6	24.0	23.0	134.0
MCC630M16	630mm	16	33.4	61.6	22.0	19.0	128.0
MCC500M20	500mm	20	30.3	56.5	24.0	23.0	123.0
MCC500M16	500mm	16	30.3	56.5	22.0	19.0	117.0
MCC500M12	500mm	12	30.3	56.5	22.0	19.0	117.0
MCC500M10	500mm	10	30.3	56.5	22.0	12.0	110.0
MCC400M20	400mm	20	27.0	51.0	24.0	23.0	119.0
MCC400M16	400mm	16	27.0	51.0	22.0	19.0	113.0
MCC400M14	400mm	14	27.0	51.0	22.0	19.0	113.0
MCC400M12	400mm	12	27.0	51.0	22.0	19.0	113.0
MCC400M10	400mm	10	27.0	51.0	22.0	12.0	106.0
MCC300M20	300mm	20	23.7	44.0	24.0	23.0	112.0
MCC300M16	300mm	16	23.7	44.0	22.0	19.0	106.0
MCC300M14	300mm	14	23.7	44.0	22.0	16.0	103.0
MCC300M12	300mm	12	23.7	44.0	20.0	14.0	99.0
MCC300M10	300mm	10	23.7	44.0	20.0	11.0	96.0
T&B CAT. NO.	Wire Size	Bolt Size mm	ϕD mm	C mm	B mm	F mm	A mm

GENERAL NOTES

1. DIMENSIONS IN PARENTHESES () ARE IN METRIC UNITS.

REVISIONS

1

SEE SHEET ONE FOR REVISIONS

Color-Keyed[®] Thomas & Betts
www.tnb.com

DESCRIPTION: METRIC COPPER ONE HOLE LUG

ORIGINAL PROJECT NO / (ERN NO)
C055621 / (2005315)

SHEET NO:
5 OF 5

REV. NO:
1

DRAWING NO:
WSD-000151