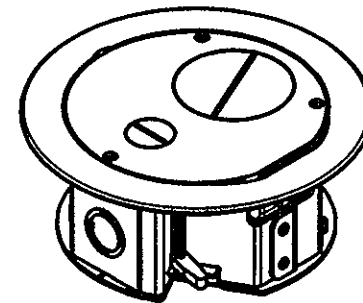
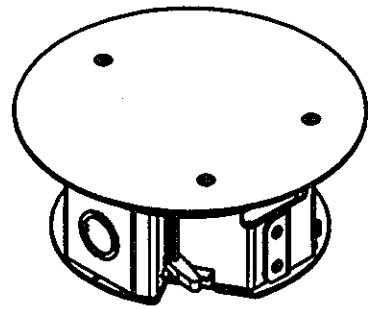


FLOOR BOX WITH TEMPORARY COVER

M-12912

4

FLOOR BOX WITH FURNITURE FEED COVER

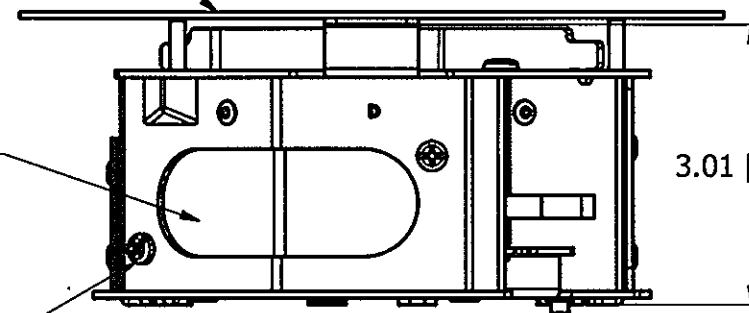
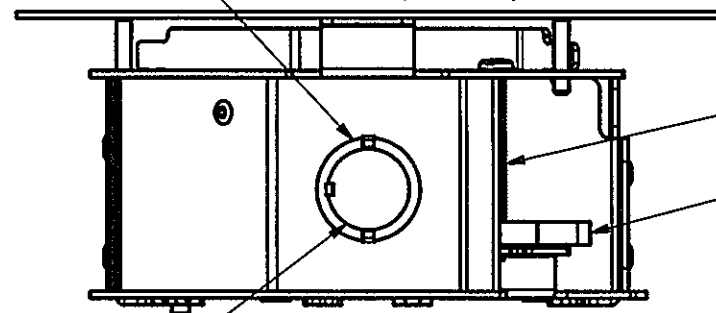


TEMPORARY INSTALLATION COVER
REMOVE BEFORE INSTALLING PROPER COVER

3/4" KNOCKOUT

SIDE VIEW (POWER)

SIDE VIEW (DATA)



PAWL SCREW

PAWL

REMOVABLE GATE

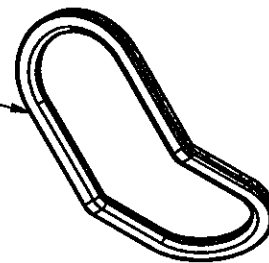
#8 SCREWS

3.01 [76.3]

1/2" KNOCKOUT

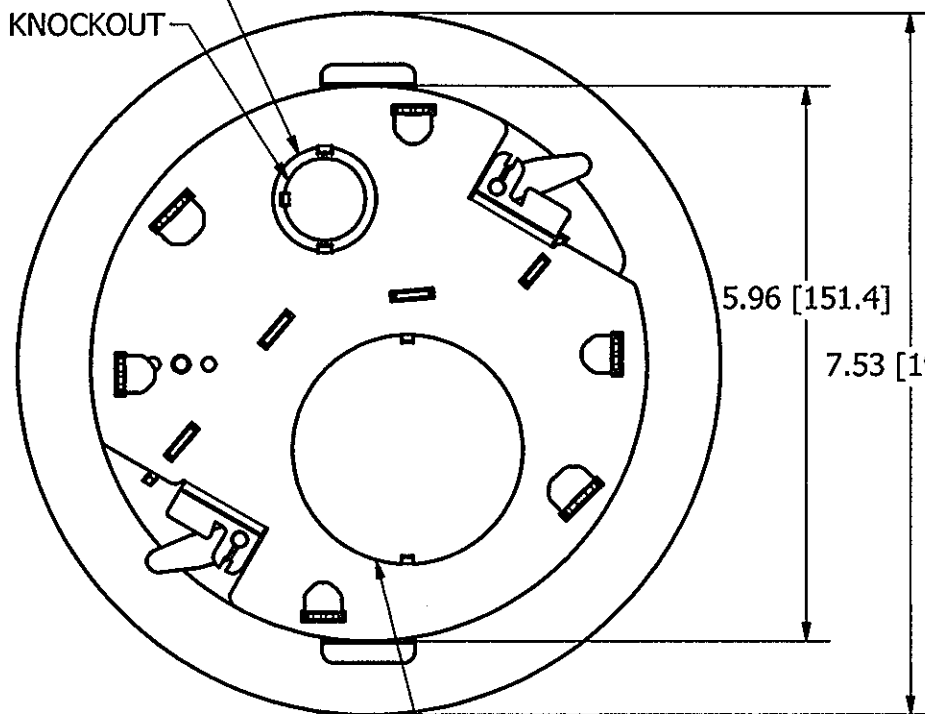
BOTTOM VIEW

GROMMET FOR
DATA OPENING



3/4" KNOCKOUT

1/2" KNOCKOUT



5.96 [151.4]

7.53 [191.3]

2" KNOCKOUT

NOTES:

- 1) ALL DIMENSIONS ARE IN INCHES AND [MILLIMETERS]
- 2) DESIGNED FOR 1- 2" FLOOR THICKNESS .
- 3) DESIGNED FOR 6 - 6 1/8" HOLE SIZE.
- 4) USE WITH HUBBELL AFBS1R6FFCVR SERIES FLOOR BOX COVERS ONLY.

CAT#	DESCRIPTION	FINISH
AFBS1R6BASE	6" FF AFB W TEMPORARY COVER	N/A
AFBS1R6FFALU	6" FF AFB W ALUMINUM COVER	BRUSHED ALUMINUM
AFBS1R6FFBLK	6" FF AFB W BLACK COVER	BLACK POWDER COAT
AFBS1R6FFBRS	6" FF AFB W BRASS COVER	BRASS PLATE
AFBS1R6FFBRZ	6" FF AFB W BRONZE COVER	BRONZE PLATE
AFBS1R6FFNKL	6" FF AFB W NICKEL COVER	NICKEL PLATE
AFBS1R6FFGRY	6" FF AFB W GRAY COVER	GRAY POWDER COAT

LIST OF PARTS

DESCRIPTION	MATERIAL	FINISH
FLOOR BOX	GALV. STEEL G60	-
TEMP INSTALL CVR	GALV. STEEL G60	-
RIVET	STEEL	ZINC
LOW VOLT. DIVIDER	GALV. STEEL G60	-
DATA GATE	GALV. STEEL G60	-
GROMMET	THERMOPLASTIC	-
SCREWS	STEEL	ZINC
GROUND SCREW	STEEL	GREEN COAT
F. FEED COVER	ALUMINUM	SEE TABLE

DIMENSION SHEET FOR CAT. NO.

REPAIRABLE

NON-REPAIRABLE

4	ADDED BOX DEPTH TO SIDE VIEW. PER DCN# 22698	EMD	10/19/2016
3	ADDED GRAY POWDER COATED FINISH. PER DCN#21974	EMD	3/18/16
2	CAD MODELS UPDATED, KNOCKOUTS MARKED. PER DCN#21848	EMD	2/25/16
1	RELEASED PER DCN#21144	EMD	7/27/15
SYM	DESCRIPTION	APPRO	DATE

THE DESIGN AND DIMENSIONS OF THE PRODUCT SHOWN ON THIS DRAWING ARE SUBJECT TO CHANGE WITHOUT NOTICE

TITLE

RAISED ACCESS FURNITURE FEED FLOOR BOX CUSTOMER DWG

TOLERANCES UNLESS OTHERWISE SPECIFIED
FRACTIONS ±1/64
DECIMALS ±.005
ANGLES ±2°

WIRING DEVICE-KELLEMS
HUBBELL INCORPORATED
SHELTON, CT

DR. BY	EMD	APP. BY	
TR. BY		SCALE	1/2
CHK'D BY		DATE	3/18/2015

B

M-12912

4