

BALDOR® • ***RELIANCE***

Product Information Packet

CEM7174T

10//7.5HP,3490//2900RPM,3PH,60//50HZ,215

Part Detail							
Revision:	L	Status:	PRD/A	Change #:		Proprietary:	No
Type:	AC	Elec. Spec:	07WGY855	CD Diagram:	CD0005	Mfg Plant:	
Mech. Spec:	07H272	Layout:	07LYH272	Poles:	02	Created Date:	01-13-2012
Base:	RG	Eff. Date:	11-02-2016	Leads:	9#14		

Specs			
Catalog Number:	CEM7174T	Front Shaft Indicator:	None
Enclosure:	XPFC	Heater Indicator:	No Heater
Frame:	215TC	Insulation Class:	B
Frame Material:	Iron	Inverter Code:	Not Inverter
Output @ Frequency:	10.000 HP @ 60 HZ	KVA Code:	G
	7.500 HP @ 50 HZ	Lifting Lugs:	Standard Lifting Lugs
Synchronous Speed @ Frequency:	3600 RPM @ 60 HZ	Locked Bearing Indicator:	Locked Bearing
Voltage @ Frequency:	460.0 V @ 60 HZ	Motor Lead Quantity/Wire Size:	9 @ 14 AWG
	380.0 V @ 50 HZ	Motor Lead Exit:	Ko Box
	230.0 V @ 60 HZ	Motor Lead Termination:	Flying Leads
	190.0 V @ 50 HZ	Motor Type:	0730M
XP Class and Group:	CLI GP D; CLII GP F,G	Mounting Arrangement:	F1
XP Division:	Division I	Power Factor:	87
Agency Approvals:	CSA	Product Family:	General Purpose
	UL	Pulley End Bearing Type:	Ball
Auxillary Box:	No Auxillary Box	Pulley Face Code:	C-Face
Auxillary Box Lead Termination:	None	Pulley Shaft Indicator:	Standard
Base Indicator:	Rigid	Rodent Screen:	None

Bearing Grease Type:	Polyrex EM (-20F +300F)	Shaft Extension Location:	Pulley End
Blower:	None	Shaft Ground Indicator:	No Shaft Grounding
Current @ Voltage:	23.600 A @ 230.0 V	Shaft Rotation:	Reversible
	21.600 A @ 190.0 V	Shaft Slinger Indicator:	No Slinger
	11.800 A @ 460.0 V	Speed Code:	Single Speed
	11.000 A @ 380.0 V	Motor Standards:	NEMA
Design Code:	B	Starting Method:	Direct on line
Drip Cover:	No Drip Cover	Thermal Device - Bearing:	None
Duty Rating:	CONT	Thermal Device - Winding:	Normally Closed Thermostat
Electrically Isolated Bearing:	Not Electrically Isolated	Vibration Sensor Indicator:	No Vibration Sensor
Feedback Device:	NO FEEDBACK	Winding Thermal 1:	None
Front Face Code:	Standard	Winding Thermal 2:	None
		XP Temp Code:	T3C

Nameplate NP1426XPSLEV	
NO.	<input type="text"/> CC 010A
SER.	<input type="text"/>
SPEC.	07H272Y855G1
CAT.NO.	CEM7174T
HP	10//7.5 T. CODE T3C
VOLTS	230/460//190/380
AMPS	23.6/11.8//21.6/11
RPM	3490//2900
HZ	60//50 PH 3 CL B
SER.F.	1.00 DES B CODE G
RATING	40C AMB-CONT
FRAME	215TC NEMA-NOM-EFF 90.2
USABLE AT 208V	PF 87
BLANK	<input type="text"/>

AC Induction Motor Performance Data

Record # 36759 - Typical performance - not guaranteed values

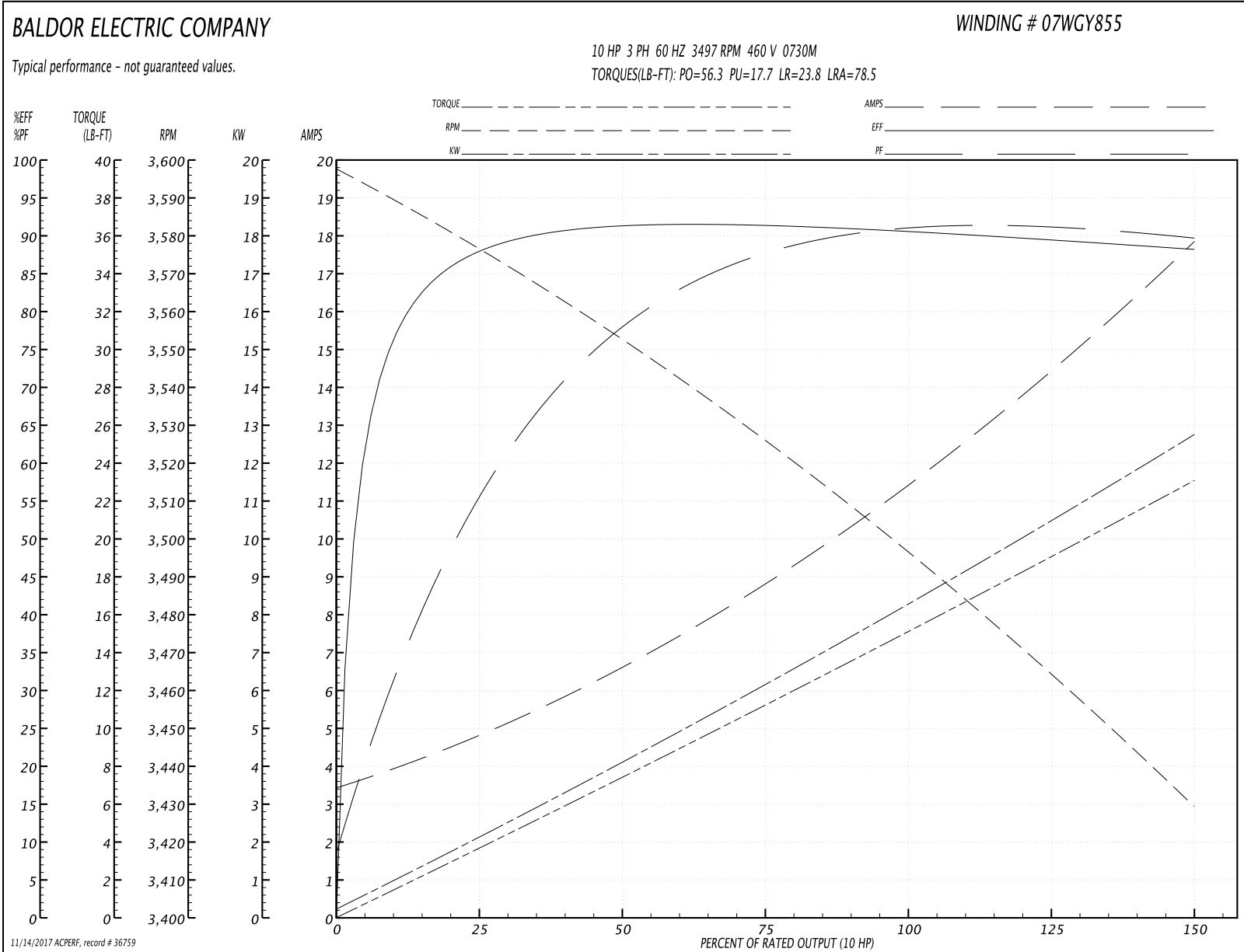
Winding: 07WGY855-R004	Type: 0730M	Enclosure: XPFC
-------------------------------	--------------------	------------------------

Nameplate Data				460 V, 60 Hz: High Voltage Connection	
Rated Output (HP)	10//7.5			Full Load Torque	15.1 LB-FT
Volts	230/460//190/380			Start Configuration	direct on line
Full Load Amps	23.6/11.8//21.6/10.8			Breakdown Torque	56.3 LB-FT
R.P.M.	3490//2900			Pull-up Torque	17.7 LB-FT
Hz	60//50	Phase	3	Locked-rotor Torque	23.8 LB-FT
NEMA Design Code	B	KVA Code	G	Starting Current	78.5 A
Service Factor (S.F.)	1			No-load Current	3.65 A
NEMA Nom. Eff.	90.2	Power Factor	87	Line-line Res. @ 25°C	1.05 Ω
Rating - Duty	40C AMB-CONT			Temp. Rise @ Rated Load	63°C
				Locked-rotor Power Factor	33.7
				Rotor inertia	0.273 LB-FT ²

Load Characteristics 460 V, 60 Hz, 10 HP

% of Rated Load	25	50	75	100	125	150
Power Factor	60	80	87	90	90	90
Efficiency	88.1	91.5	91.3	90.5	89.6	88.2
Speed	3576	3551	3525	3497	3465	3429
Line amperes	4.55	6.56	8.97	11.6	14.5	17.7

Performance Graph at 460V, 60Hz, 10.0HP Typical performance - Not guaranteed values



AC Induction Motor Performance Data

Record # 36760 - Typical performance - not guaranteed values

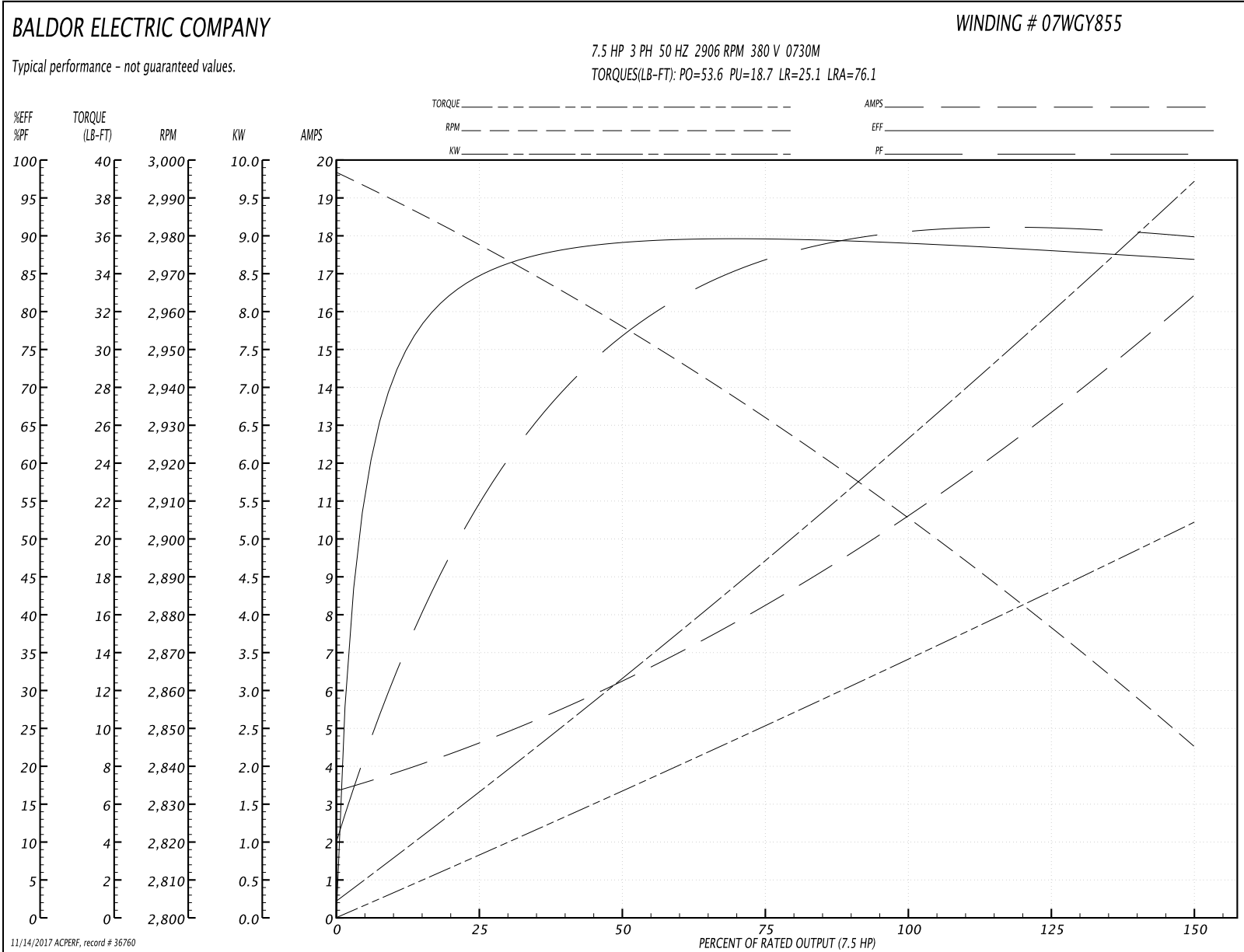
Winding: 07WGY855-R004	Type: 0730M	Enclosure: XPFC
-------------------------------	--------------------	------------------------

Nameplate Data				380 V, 50 Hz: High Voltage Connection	
Rated Output (HP)	10//7.5			Full Load Torque	13.6 LB-FT
Volts	230/460//190/380			Start Configuration	direct on line
Full Load Amps	23.6/11.8//21.6/10.8			Breakdown Torque	53.6 LB-FT
R.P.M.	3490//2900			Pull-up Torque	18.7 LB-FT
Hz	60//50	Phase	3	Locked-rotor Torque	25.1 LB-FT
NEMA Design Code	B	KVA Code	G	Starting Current	76.1 A
Service Factor (S.F.)	1			No-load Current	3.55 A
NEMA Nom. Eff.	90.2	Power Factor	87	Line-line Res. @ 25°C	1.05 Ω
Rating - Duty	40C AMB-CONT			Temp. Rise @ Rated Load	57°C
				Locked-rotor Power Factor	38
				Rotor inertia	0.273 LB-FT ²

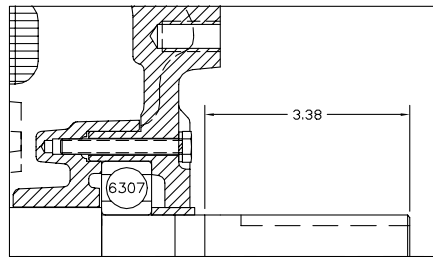
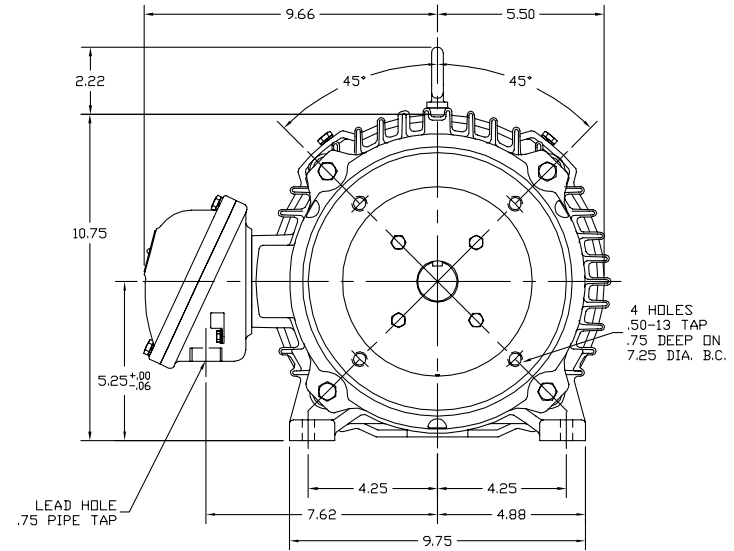
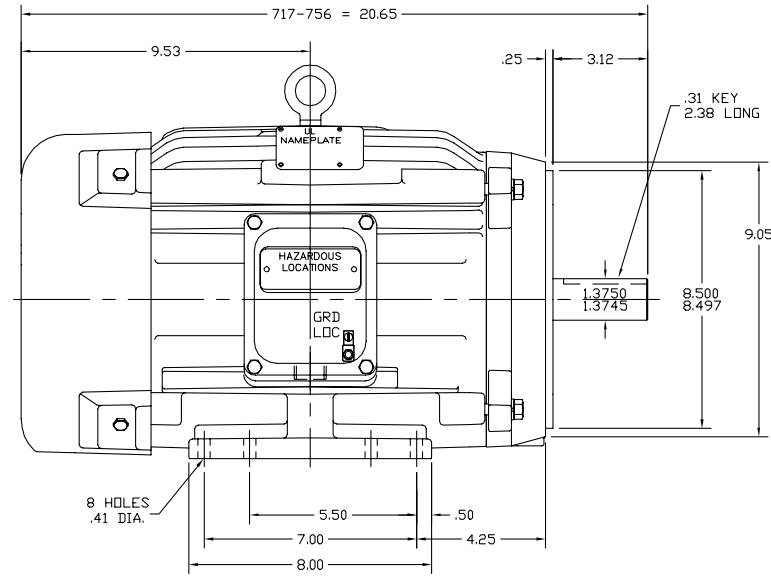
Load Characteristics 380 V, 50 Hz, 7.5 HP

% of Rated Load	25	50	75	100	125	150
Power Factor	59	79	87	89	90	91
Efficiency	84.5	89.1	89.9	88.8	88.2	86.9
Speed	2977	2955	2931	2906	2877	2845
Line amperes	4.38	6.2	8.36	10.8	13.4	16.3

Performance Graph at 380V, 50Hz, 7.5HP Typical performance - Not guaranteed values



07LH272



PULLEY END DETAIL

CUSTOMER IS RESPONSIBLE FOR DETERMINING THAT MOTOR PERFORMANCE IS SUITABLE IN THE APPLICATION.

REV. DESC: CORRECT DESCRIPTION WAS TEFC		
REV. LTR: B	VERSION: 02	TDR: 000000442683
FILE: \AAA\00005\981	REVISED: 10:52:58 09/10/2007	BY: ENBRAMO
MTL: -		

BALDOR • DODGE • RELIANCE

STD HORZ 213-5TC XPFC CL-I GP-D CL-II GP-F&C

07LH272

CD0005



LOW VOLTAGE
(2Y)



LINE

HIGH VOLTAGE
(1Y)



LINE

NOTES:

1. INTERCHANGE ANY TWO LINE LEADS TO REVERSE ROTATION.
2. OPTIONAL THERMOSTATS ARE PROVIDED WHEN SPECIFIED.
3. ACTUAL NUMBER OF INTERNAL PARALLEL CIRCUITS MAY BE A MULTIPLE OF THOSE SHOWN ABOVE.
4. LEAD COLORS ARE OPTIONAL. LEADS MUST ALWAYS BE NUMBERED AS SHOWN.

REV. DESC: REVISE TO SHOW OPTIONAL COLORS			
REV. LTR: E	BY: JLP	REVISED: 01/19/99 10:15	TDR: 0171435
9000D		FILE: AAA00005140	MDL: -
		MTL: -	

BALDOR ELECTRIC Co.

3PH, DV, 9 LEADS

CD0005