

# **BALDOR**® • ***RELIANCE***

## **Product Information Packet**

# **GPP12560**

**G.M. J16MA 180VDC 500 RPM 5:1 CAT# GPP12**

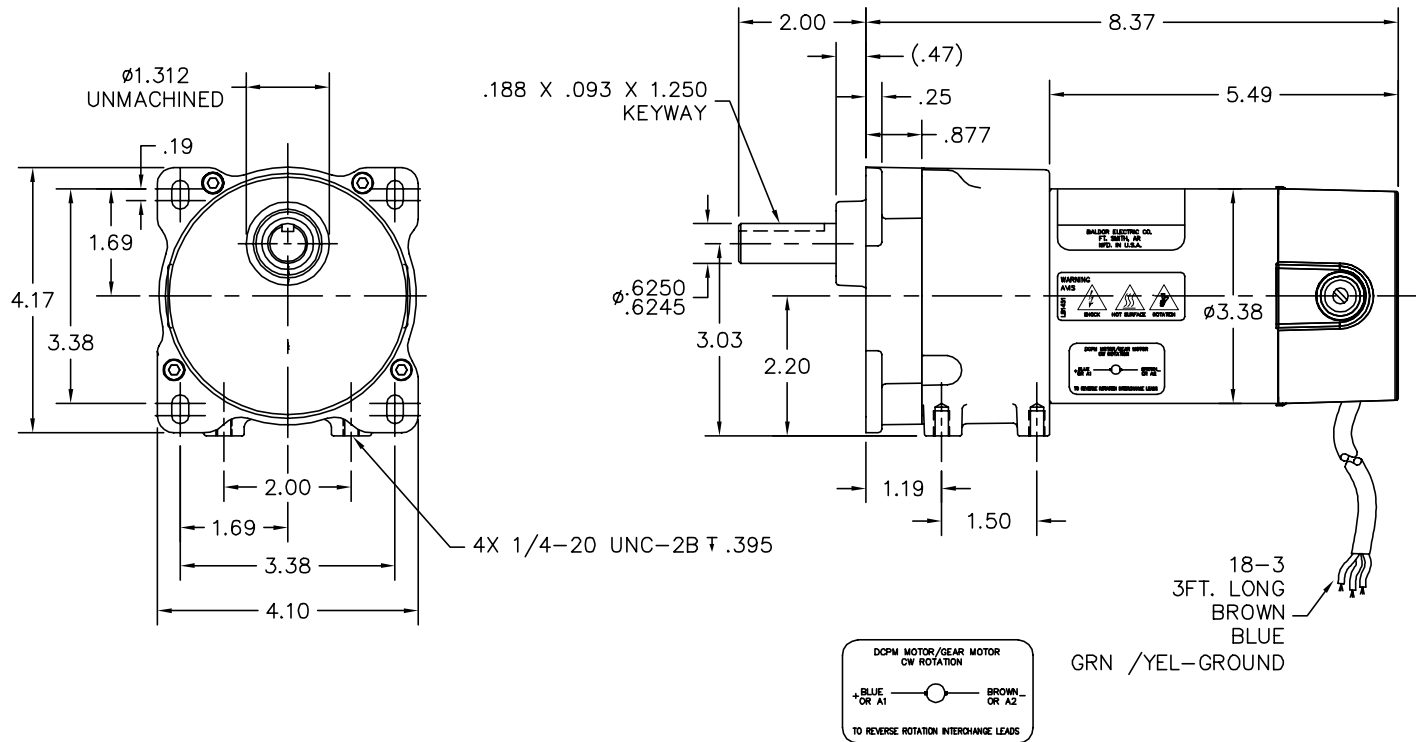
Part Detail							
Revision:	V	Status:	PRD/A	Change #:		Proprietary:	No
Type:	DC	Prod. Type:	2416P	Elec. Spec:	24WGZ063	CD Diagram:	CD1899
Enclosure:	TENV	Mfg Plant:		Mech. Spec:		Layout:	24A099Z063G2
Frame:		Mounting:		Poles:	00	Created Date:	
Base:		Rotation:	R	Insulation:	F	Eff. Date:	06-02-2015
Field Type:		Literature:		Elec. Diagram:		Replaced By:	

Specs			
Enclosure:	TENV		
Gearhead Type:	PARALLEL SHAFT		
Gear Ratio:	5:1		
Gear Style:	PSM		
Mounting Arrangement:	0.000		
Product Family:	General Purpose		

## Nameplate NP1220A39

CAT.NO.	GPP12560		
SER.NO.			
SPEC.	24A099Z063G2		
FRAME	PSM	TYPE	2416P
HP	1/8 TE	KW	.093 TE
VOLTS	180DC		
AMP	.74		
F.F.	1.5	CLASS	F
AMB.	40	DUTY	CONT
BRUSHES	2/BP5052BP01		
R.P.M.	500		
TORQ/IN LB	15	N.M.	1.7
RATIO	5:1		
APRV-CE		APRV-CUL	

24A099Z063G2



NOTES:  
1) CW ROTATION VIEWING OUTPUT SHAFT END.

CUSTOMER IS RESPONSIBLE FOR DETERMINING THAT BALDOR'S PRODUCT WILL PERFORM SUITABLY IN THE INTENDED APPLICATION.

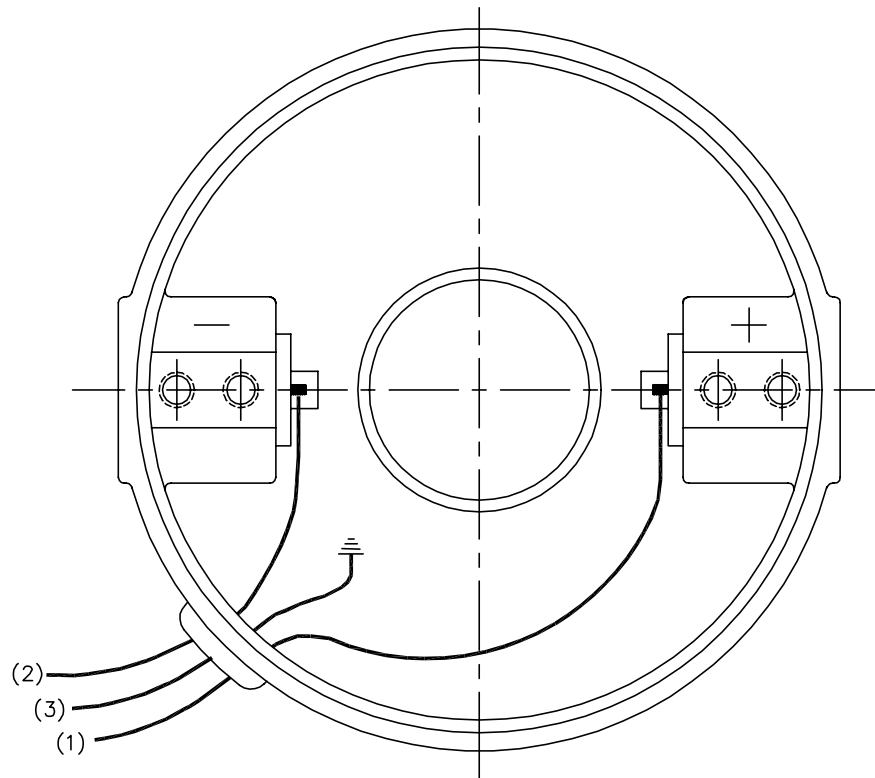
REV. DESC: ADD WARNING LABEL		
REV. LTR: A	VERSION: 01	TDR: 000000738261
FILE: \CKA\00021\609		REVISED: 07:07:55 03/15/2012
MTL: -		BY: CKAPRBO

**BALDOR • DODGE • RELIANCE**

LY,24DC PSM DOM TENV  
SH 1 of 1

24A099Z063G2

CD1899



(1) COLOR MAY BE  
RED  
WHT  
BLU

(2) COLOR MAY BE  
BLK  
BRN

(3) COLOR WHEN REQ.  
GRN  
GRN/YEL

VIEWED FROM  
DRIVE END

REV. DESC: NEW			
REV. LTR: -	BY: PAW	REVISED: 09:06:34 09/16/2004	TDR: 341564
668100		FILE: CKA00025830	REF: CD1899
		MTL: -	

**BALDOR ELECTRIC Co.**

PM,2LD,REV,TANG,CK

CD1899