

BALDOR® • **RELIANCE**

Product Information Packet

GPP7455

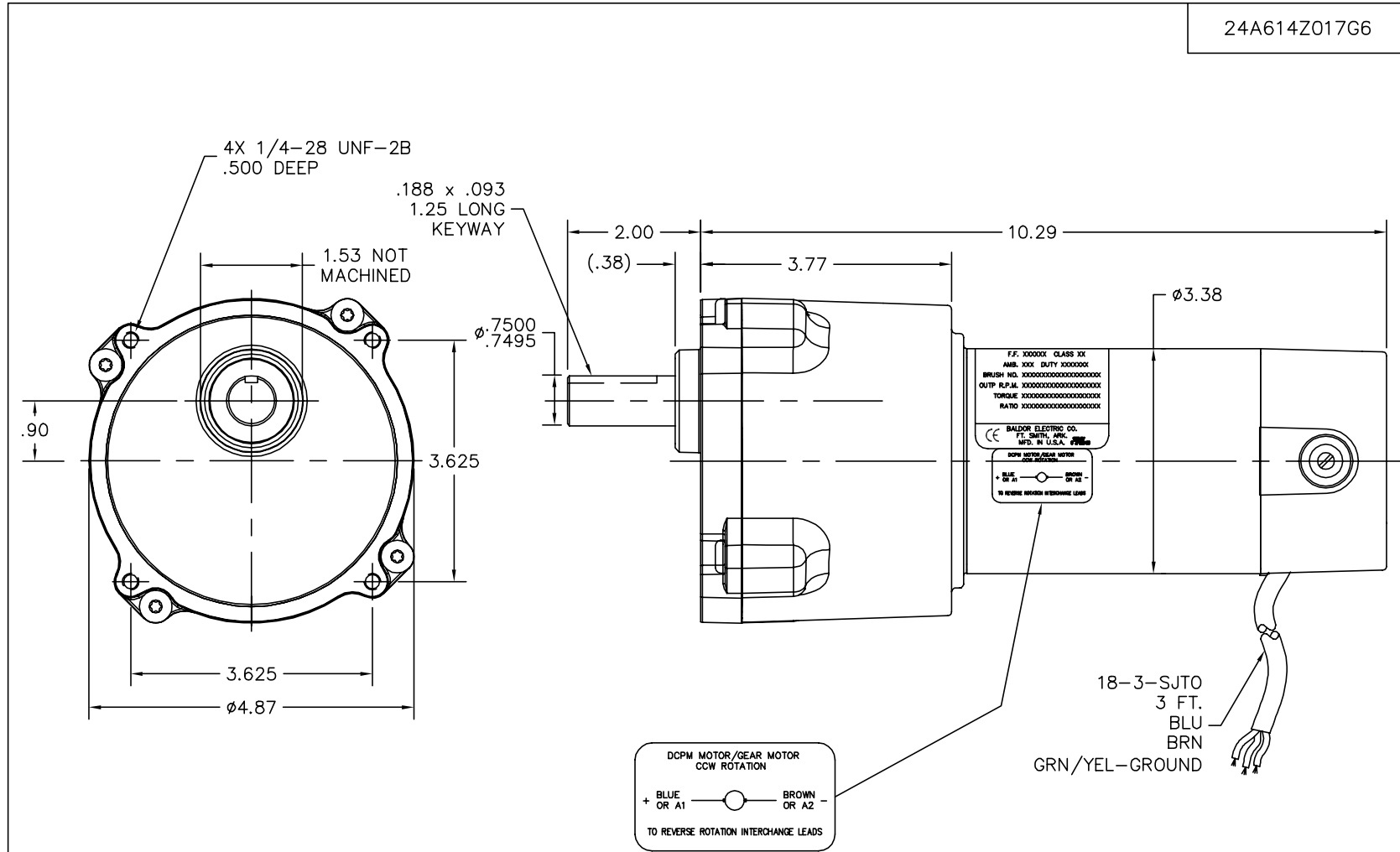
G.M. D24KA 90VDC 40:1 62 RPM GPP7455

Part Detail							
Revision:	U	Status:	PRD/A	Change #:		Proprietary:	No
Type:	DC	Prod. Type:	2424P	Elec. Spec:	24WGZ017	CD Diagram:	CD1899
Enclosure:	TENV	Mfg Plant:		Mech. Spec:		Layout:	24A614Z017G6
Frame:		Mounting:		Poles:	00	Created Date:	03-10-2006
Base:		Rotation:	R	Insulation:	F	Eff. Date:	05-06-2016
Field Type:		Literature:		Elec. Diagram:		Replaced By:	

Specs			
Enclosure:	TENV		
Gearhead Type:	PARALLEL SHAFT		
Gear Ratio:	40:1		
Gear Style:	PSL		
Mounting Arrangement:	0.000		
Product Family:	General Purpose		

Nameplate NP1220A08

CAT.NO.	GPP7455		
SER.NO.			
SPEC.	24A614Z017G6		
FRAME	PSL	TYPE	2424P
HP	.25	TE	
VOLTS	90		
AMP	2.5		
F.F.	1.3	CLASS	F
AMB.	40	DUTY	CONT
BRUSHES	2/BP5052BP01		
R.P.M.	62		
TORQ/IN LB	200		
RATIO	40:1		
APRV-CE		APRV-CUL	



24A614Z017G6

24A614Z017G6

CUSTOMER IS RESPONSIBLE FOR DETERMINING THAT MOTOR PERFORMANCE IS SUITABLE IN THE APPLICATION.

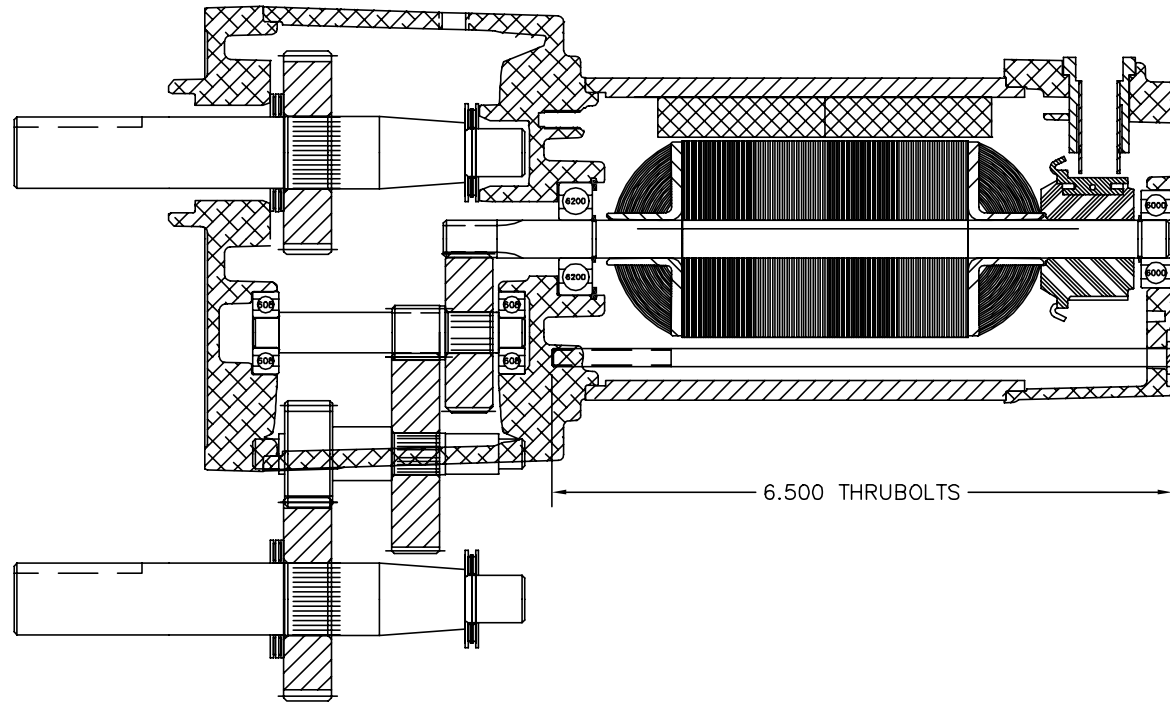
REV. DESC: UPDATE DIMS.

REV. LTR: A	VERSION: 01	TDR: 000000404419
24A614Z017G6	FILE: \CKA\00029\620552	REVISED: 10:48:36 08/04/2006
	MTL: -	BY: CKGLEHO

BALDOR ELECTRIC Co.

LY,24DC PSL DOM TENV .750 X 2.00 EXT. 4X 1/4 MTG HOLES

24A614Z017G6



CUSTOMER IS RESPONSIBLE FOR DETERMINING THAT MOTOR PERFORMANCE IS SUITABLE IN THE APPLICATION.

REV. DESC: UPDATE DIMS.

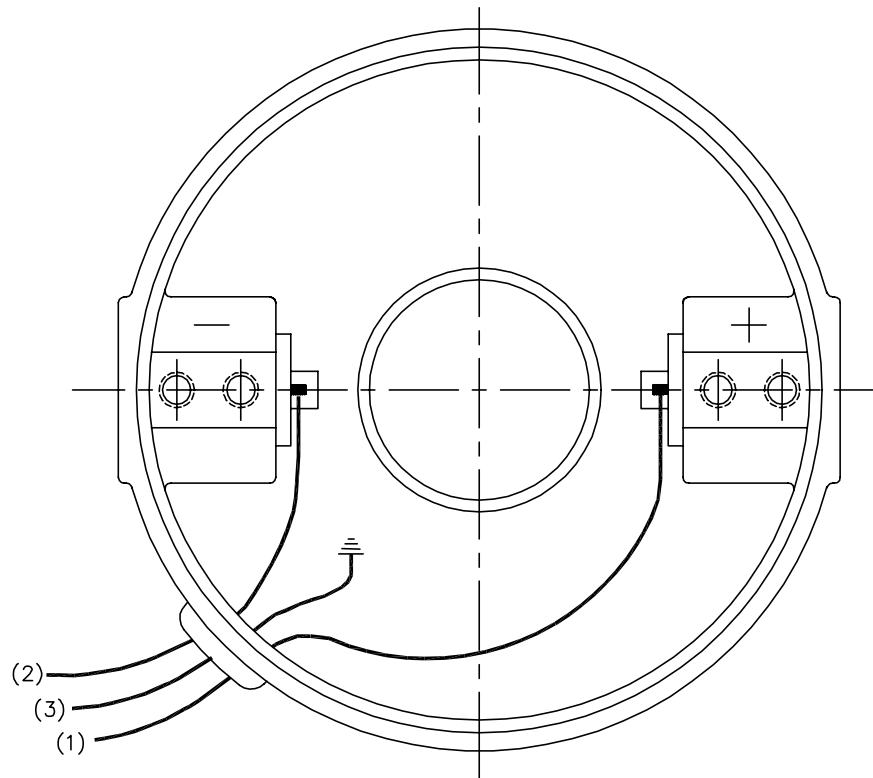
REV. LTR: A	VERSION: 01	TDR: 000000404419
24A614Z017G6	FILE: \CKA\00029\552	REVISED: 10:48:40 08/04/2006
	MTL: -	BY: CKGLEHO

BALDOR ELECTRIC Co.

LY,24DC PSL DOM TENV .750 X 2.00 EXT. 4X 1/4 MTG HOLES

24A614Z017G6

CD1899



(1) COLOR MAY BE
RED
WHT
BLU

(2) COLOR MAY BE
BLK
BRN

(3) COLOR WHEN REQ.
GRN
GRN/YEL

VIEWED FROM
DRIVE END

REV. DESC: NEW			
REV. LTR: -	BY: PAW	REVISED: 09:06:34 09/16/2004	TDR: 341564
668100		FILE: CKA00025830	REF: CD1899
		MTL: -	

BALDOR ELECTRIC Co.

PM,2LD,REV,TANG,CK

CD1899