



MASTERColor CDM-Rm Elite Mini

MASTERColor CDM-Rm Elite Mini 20W/830 GX10 MR16 40D

The Elite family is at the very top of the MasterColor CDM range, and gives a unique combination of unbeatable light quality and consistent performance over lifetime, while keeping running costs low. The MasterColor DCM Elite MR16 combines the familiar compact shape of MR16 halogen lamps with the performance of ceramic metal halide MasterColor Elite lamps. Suited for accent/decorative lighting, general lighting and downlighting in retail applications; or for outdoor landscaping and architectural effects.

Product data

General Information	
Cap-Base	GX10 [GX10]
Operating Position	Universal [Universal]
Life to 5% Failures (Nom)	9000 h
Life to 10% Failures (Nom)	10000 h
Life to 20% Failures (Nom)	12000 h
Life to 50% Failures (Nom)	15000 h
ANSI Code HID	C156/O
Switching Cycle	1350X
Light Technical	
Color Code	830 [CCT of 3000K]
Beam Angle (Nom)	40 °
Beam Angle Technical (Nom)	40 °
Beam Angle Technical (Max)	48 °
Beam Angle Technical (Min)	32 °
Luminous Flux (Rated) (Min)	900 lm

Luminous Flux (Rated) (Nom)	1000 lm
Luminous Intensity (Min)	1350 cd
Luminous Intensity (Nom)	1750 cd
Beam Description	-
Lumen Maintenance 12000 h (Nom)	75 %
Lumen Maintenance 2000 h (Nom)	90 %
Lumen Maintenance 4000 h (Nom)	85 %
Chromaticity Coordinate X (Nom)	0.439
Chromaticity Coordinate Y (Nom)	0.403
Correlated Color Temperature (Nom)	3000 K
Luminous Efficacy (rated) (Nom)	50 lm/W
Color Rendering Index (Min)	81
Color Rendering Index (Nom)	84
LLMF At End Of Nominal Lifetime (Nom)	70 %
Luminous Flux in 90° Cone (Rated)	900 lm

MASTERCOLOR CDM-Rm Elite Mini

Operating and Electrical

Power (Rated) (Nom)	20.0 W
Re-ignition Time (Min) (Max)	15 min
Warm Up Time to 60% Light (Nom)	120 s
Ignition Time (Max)	30 s
Voltage (Max)	100 V
Voltage (Min)	90 V
Voltage (Nom)	95 V

Controls and Dimming

Dimmable	No
Run-Up Time 90% (Max)	3 min

Mechanical and Housing

Bulb Finish	- [-]
-------------	-------

Approval and Application

Energy Efficiency Label (EEL)	A
Mercury (Hg) Content (Nom)	3.5 mg
Energy Consumption kWh/1000 h	22 kWh

UV

Pet (Niosh) (Min)	8 h/500lx
Damage Factor D/fc (Max)	0.4

Luminaire Design Requirements

Reflector Neck Temperature (Max)	215 °C
----------------------------------	--------

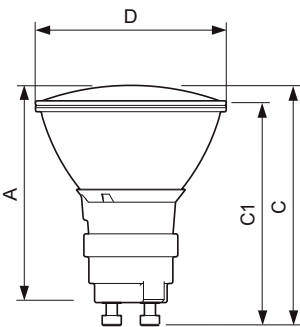
Product Data

Order product name	MASTERCOLOR CDM-Rm Elite Mini 20W/830 GX10 MR16 40D
EAN/UPC - Product	046677421670
Order code	421677
Numerator - Quantity Per Pack	1
Numerator - Packs per outer box	12
Material Nr. (12NC)	928191205315
Net Weight (Piece)	0.047 kg
ILCOS Code	MRS/UB-20/830-H-GX10-51/54.5/40

Warnings and Safety

- R "WARNING: These lamps can cause serious skin burn and eye inflammation from short wave ultraviolet radiation if outer envelope of the lamp is broken or punctured. Do not use where people will remain for more than a few minutes unless adequate shielding or other safety precautions are used. Certain lamps that will automatically extinguish when the outer envelope is broken or punctured are commercially available." This lamp complies with FDA radiation performance standard 21 CFR subchapter J. (USA:21 CFR 1040.30 Canada: SOR/DORS/80-381)
- Lamp contains mercury. Manage in Accord with Disposal Laws. See: www.lamprecycle.org or 1-800-555-0050

Dimensional drawing

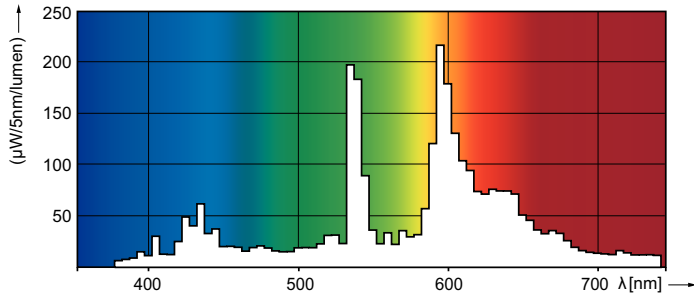


CDM-Rm 20W/830 GX10 MR16 40D

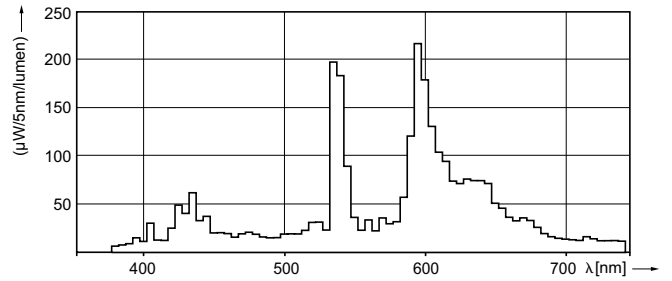
Product	D (max)	D	C (max)	C	C1 (max)	A (max)
MASTERCOLOR CDM-Rm	51 mm	50 mm	65.4 mm	62.75	60.9 mm	59 mm
Elite Mini 20W/830 GX10				mm		
MR16 40D						

MASTERColor CDM-Rm Elite Mini

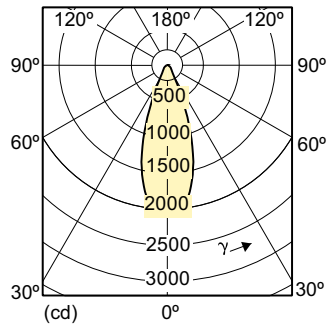
Photometric data



MASTERColour CDM-R Mini 20W /830

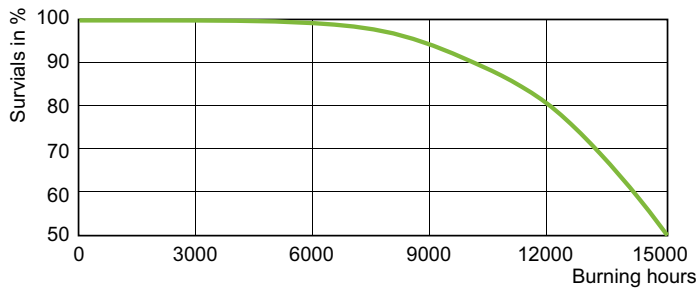


MASTERColour CDM-R Mini 20W /830

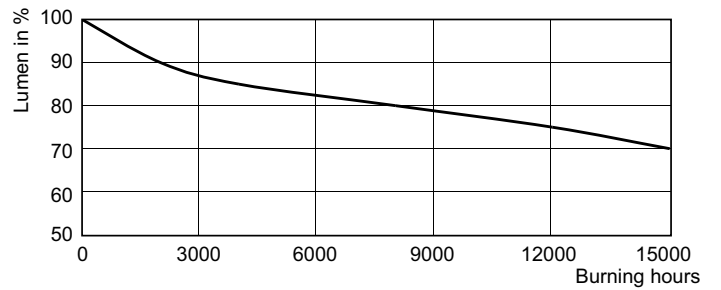


CDM-Rm 20W /830 40D

Lifetime



CDM-Rm 20W Life Expectancy /830



CDM-Rm 20W Lumen Maintenance /830 VBU

MASTERCOLOR CDM-Rm Elite Mini

