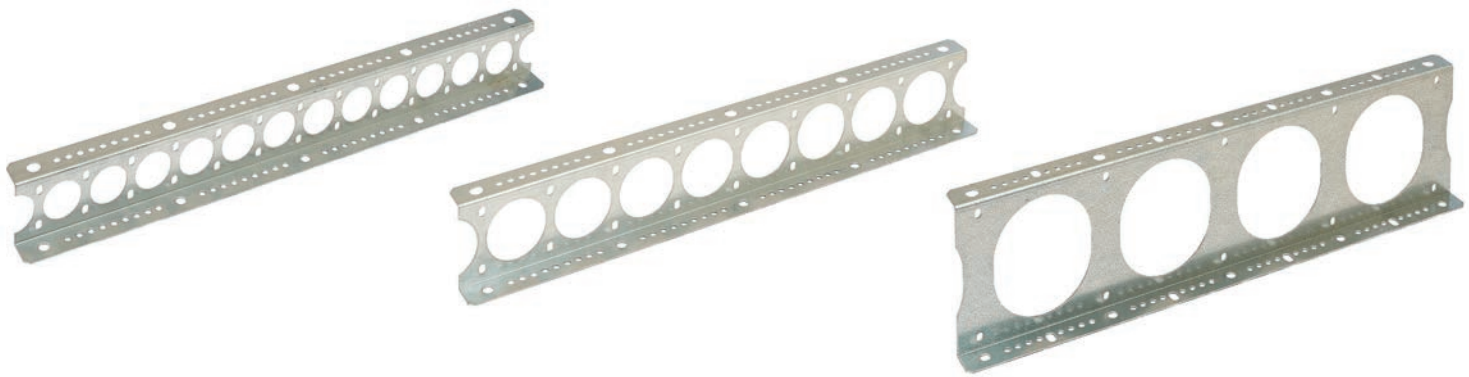


Brochure

B-LINE
SERIES

Conduit Trapeze Support

Lower installed cost solution



EATON

Powering Business Worldwide

Conduit Trapeze Support

Lower total installed cost solution with up to 50% time-savings over traditional strut trapeze

This versatile Z-shaped design supports multiple sizes and types of conduit, MC/AC cable, cable tray and attachment of other accessories such as electrical boxes.

Features & Benefits

Installation savings

- Up to 50% quicker installation than traditional strut trapeze
- Conduit holes automatically align conduits across trapeze
- B-Line series SLN split lock nut provides additional time savings by attaching at any point along the all threaded rod

Material savings

- Fewer components when compared to strut trapeze
- Eliminates the need for pipe clamps at every support location
- No washers required at the hanger locations
- No special tools required

Design features

- Unique Z design for added rigidity and strength
- Flange accommodates 1/2" or 3/8" ATR or bolts
- May be mounted directly to concrete decking or other structures
- Standard hole patterns make it easy to stack for multiple tiers, or splice end to end
- Pipe clamps can be attached directly to either flange if needed
- Flange holes provide multiple options for hanger rods, mounting hardware and other accessories
- Overhang/cantilever option allows improved load ratings (i.e. 24" loads with 36" capacity)

Certifications

- UL listed for US and Canada
- Most configurations exceed maximum load ratings defined by UL/NEC requirements
- 500 lb. load rating at 12"; hanger spacing for all three sizes; safety factor of 3



Product Offering

- Available in three sizes
 - Up to 1-1/4" EMT, holds 6 conduits per foot
 - Up to 2" EMT / Rigid conduit, holds 4 conduits per foot
 - Up to 4" EMT / Rigid conduit, holds 2 conduits per foot
- Available in 12" to 120" lengths in 6-inch increments (repeating pattern every 6 inches); longer sections can be cut to desired length in the field
- Standard finish is pre-galvanized; available made to order in 316 stainless steel and painted finishes



Conduit trapeze support with cable tray



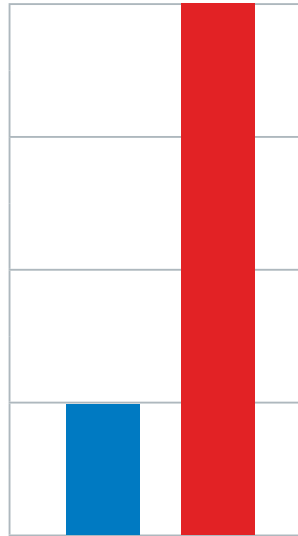
Conduit trapeze support with Guide-Rite™ fasteners

Lower total installed cost solution

BCTS1-24"* vs. **Traditional strut trapeze***

(1) BCTS1
 (4) hex nuts
 5 total parts

(1) 24" length channel
 (4) square washers
 (4) hex nuts
 (12) pipe clamps
 21 total parts



=

Up to 75% part reduction

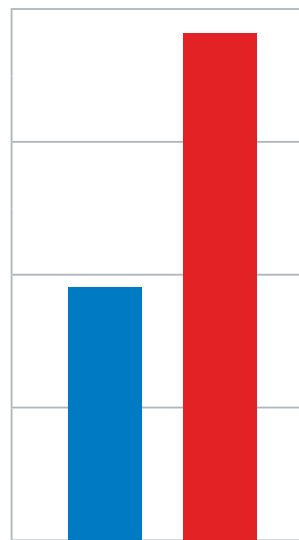
Total materials used for installation

■ Conduit Trapeze Support
 ■ Traditional Strut Trapeze

* (hangers not included in the BOM)

Up to 50% installation time savings

=



Total Installed Time

■ Conduit Trapeze Support
 ■ Traditional Strut Trapeze

Eaton B-Line series BCTS

Traditional Strut Trapeze

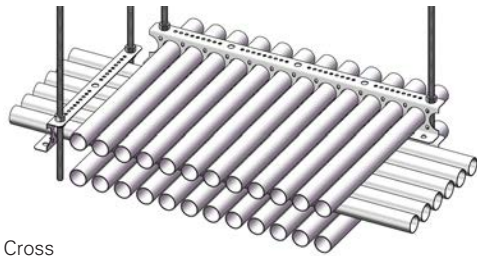




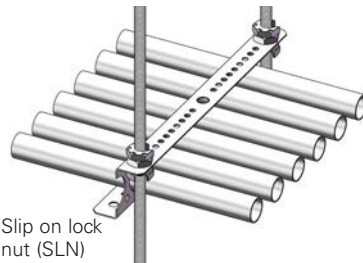
Conduit and Flextray™ trapeze support



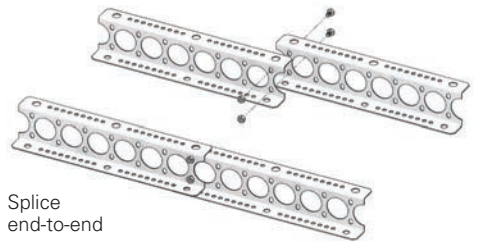
Conduit trapeze support with electrical box



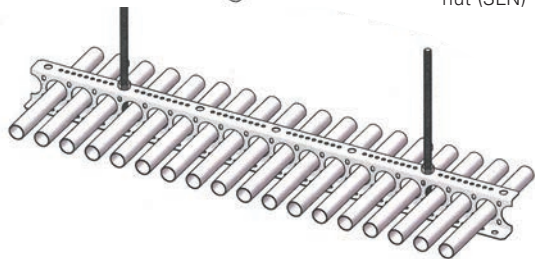
Cross



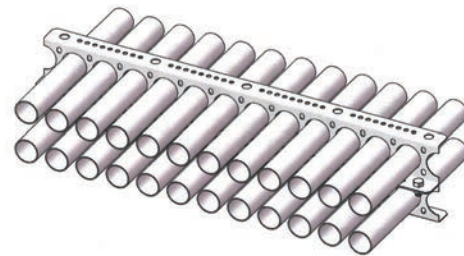
Slip on lock nut (SLN)



Splice end-to-end



Overhang/cantilever (i.e. 36" capacity; 24" load rating)



Double tiered (ordered separately)



Conduit trapeze support with BL1400 conduit clamps



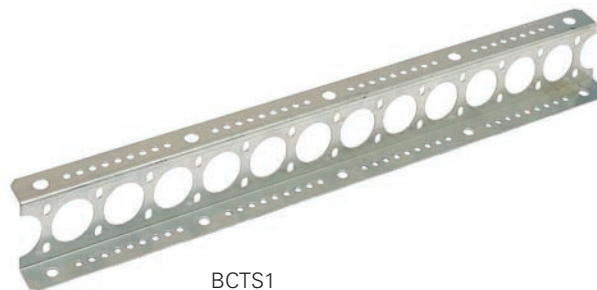
Horizontal conduit trapeze support

BCTS1 Series - 1¼" EMT/1" Rigid Maximum

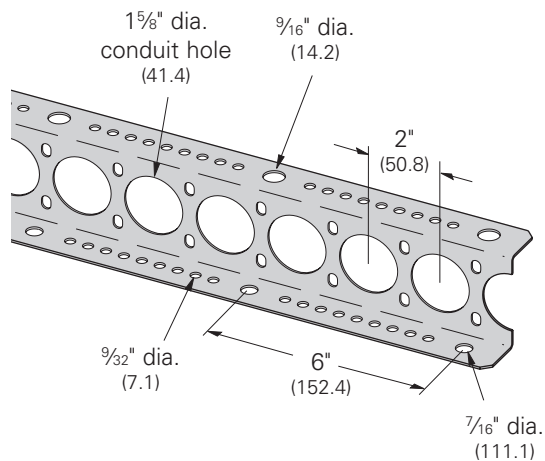
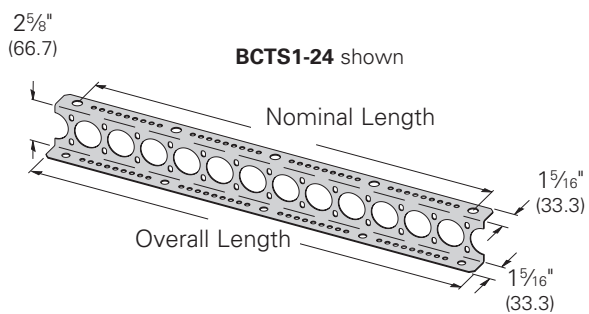
Hanger rod spacing loads: Safety Factor of 3

Evenly distributed maximum load • 24" (610mm) is 450 lbs. (2.00kN) • 36" (914mm) is 350 lbs. (1.55kN)

Part No.	Nominal Length		Overall Length		Conduit Holes	Wt./Each	
	In.	mm	In.	mm		Lbs.	kg
BCTS1-12	12	(305)	14	(355)	6	0.87	(0.39)
BCTS1-18	18	(457)	20	(508)	9	1.24	(0.56)
BCTS1-24	24	(609)	26	(660)	12	1.62	(0.73)
BCTS1-30	30	(762)	32	(813)	15	1.99	(0.90)
BCTS1-36	36	(914)	38	(965)	18	2.37	(1.07)
BCTS1-42	42	(1067)	44	(1117)	21	2.74	(1.24)
BCTS1-48	48	(1219)	50	(1270)	24	3.11	(1.41)
BCTS1-54	54	(1371)	56	(1422)	27	3.49	(1.58)
BCTS1-60	60	(1524)	62	(1575)	30	3.86	(1.75)
BCTS1-66	66	(1676)	68	(1727)	33	4.23	(1.92)
BCTS1-72	72	(1829)	74	(1879)	36	4.61	(2.09)
BCTS1-78	78	(1981)	80	(2032)	39	4.98	(2.26)
BCTS1-84	84	(2133)	86	(2184)	42	5.36	(2.43)
BCTS1-90	90	(2286)	92	(2337)	45	5.73	(2.60)
BCTS1-96	96	(2438)	98	(2489)	48	6.10	(2.76)
BCTS1-102	102	(2591)	104	(2641)	51	6.48	(2.94)
BCTS1-108	108	(2743)	110	(2794)	54	6.85	(3.11)
BCTS1-114	114	(2895)	116	(2946)	57	7.22	(3.27)
BCTS1-120	120	(3048)	122	(3099)	60	7.60	(3.45)



BCTS1



Conduit and cable tray trapeze support



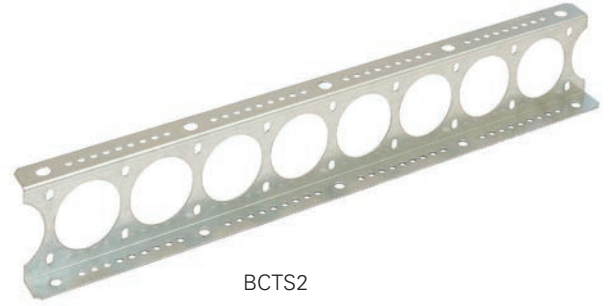
Conduit and Flextray™ trapeze support

BCTS2 Series - 2" EMT/2" Rigid Maximum

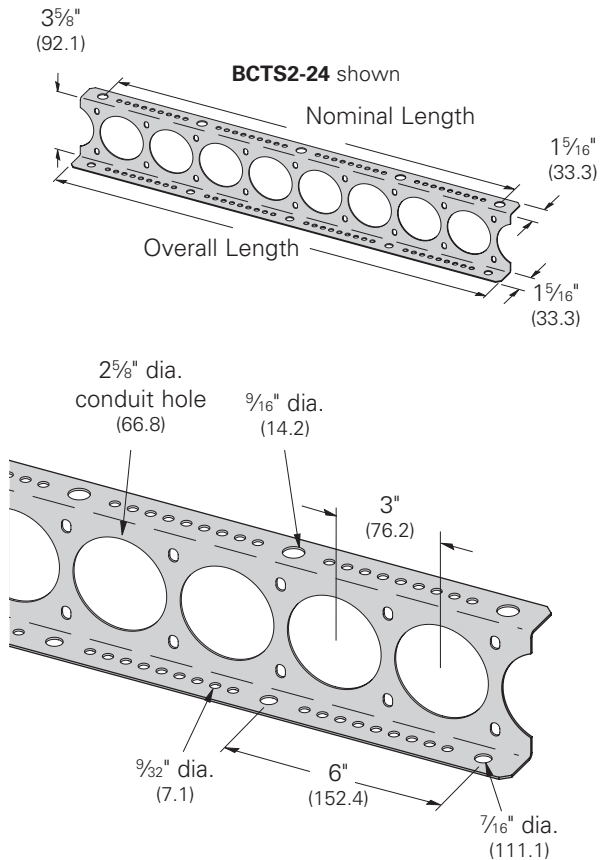
Hanger rod spacing loads: Safety Factor of 3

Evenly distributed maximum load • 24" (610mm) is 400 lbs. (1.78kN) • 36" (914mm) is 300 lbs. (1.33kN)

Part No.	Nominal Length		Overall Length		Conduit Holes	Wt./Each	
	In.	mm	In.	mm		Lbs.	kg
BCTS2-12	12	(305)	14	(355)	4	0.95	(0.43)
BCTS2-18	18	(457)	20	(508)	6	1.35	(0.61)
BCTS2-24	24	(609)	26	(660)	8	1.75	(0.79)
BCTS2-30	30	(762)	32	(813)	10	2.15	(0.97)
BCTS2-36	36	(914)	38	(965)	12	2.55	(1.15)
BCTS2-42	42	(1067)	44	(1117)	14	2.95	(1.34)
BCTS2-48	48	(1219)	50	(1270)	16	3.35	(1.52)
BCTS2-54	54	(1371)	56	(1422)	18	3.75	(1.70)
BCTS2-60	60	(1524)	62	(1575)	20	4.15	(1.88)
BCTS2-66	66	(1676)	68	(1727)	22	4.55	(2.06)
BCTS2-72	72	(1829)	74	(1879)	24	4.95	(2.24)
BCTS2-78	78	(1981)	80	(2032)	26	5.35	(2.42)
BCTS2-84	84	(2133)	86	(2184)	28	5.75	(2.61)
BCTS2-90	90	(2286)	92	(2337)	30	6.15	(2.79)
BCTS2-96	96	(2438)	98	(2489)	32	6.55	(2.97)
BCTS2-102	102	(2591)	104	(2641)	34	6.95	(3.15)
BCTS2-108	108	(2743)	110	(2794)	36	7.35	(3.33)
BCTS2-114	114	(2895)	116	(2946)	38	7.75	(3.51)
BCTS2-120	120	(3048)	122	(3099)	40	8.15	(3.69)



BCTS2



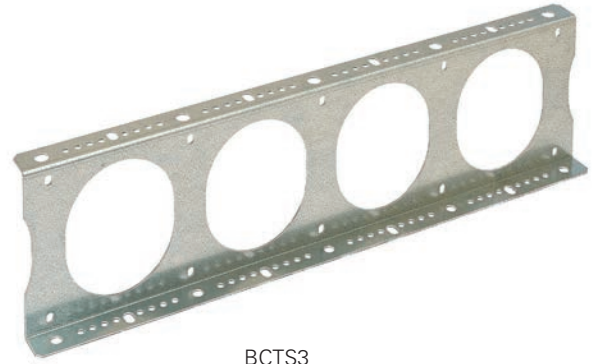
Conduit trapeze support

BCTS3 Series - 4" EMT/4" Rigid Maximum

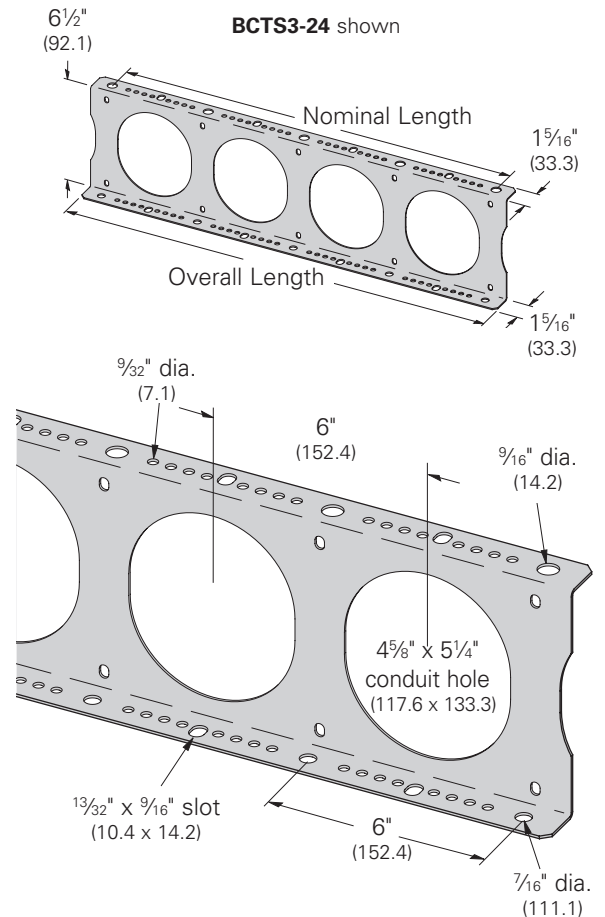
Hanger rod spacing loads: Safety Factor of 3

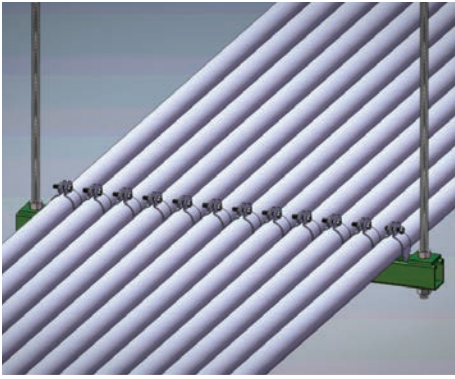
Evenly distributed maximum load • 24" (610mm) is 800 lbs. (3.56kN) • 36" (914mm) is 750 lbs. (3.33kN)

Part No.	Nominal Length		Overall Length		Conduit Holes	Wt./Each	
	In.	mm	In.	mm		Lbs.	kg
BCTS3-12	12	(305)	14	(355)	2	1.68	(0.76)
BCTS3-18	18	(457)	20	(508)	3	2.35	(1.06)
BCTS3-24	24	(609)	26	(660)	4	3.02	(1.37)
BCTS3-30	30	(762)	32	(813)	5	3.69	(1.67)
BCTS3-36	36	(914)	38	(965)	6	4.36	(1.98)
BCTS3-42	42	(1067)	44	(1117)	7	5.04	(2.28)
BCTS3-48	48	(1219)	50	(1270)	8	5.71	(2.59)
BCTS3-54	54	(1371)	56	(1422)	9	6.38	(2.89)
BCTS3-60	60	(1524)	62	(1575)	10	7.05	(3.20)
BCTS3-66	66	(1676)	68	(1727)	11	7.72	(3.50)
BCTS3-72	72	(1829)	74	(1879)	12	8.40	(3.81)
BCTS3-78	78	(1981)	80	(2032)	13	9.07	(4.11)
BCTS3-84	84	(2133)	86	(2184)	14	9.74	(4.42)
BCTS3-90	90	(2286)	92	(2337)	15	10.41	(4.72)
BCTS3-96	96	(2438)	98	(2489)	16	11.08	(5.02)
BCTS3-102	102	(2591)	104	(2641)	17	11.75	(5.33)
BCTS3-108	108	(2743)	110	(2794)	18	12.43	(5.64)
BCTS3-114	114	(2895)	116	(2946)	19	13.10	(5.94)
BCTS3-120	120	(3048)	122	(3099)	20	13.77	(6.24)



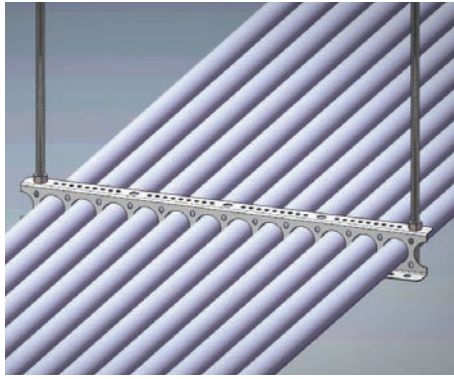
BCTS3





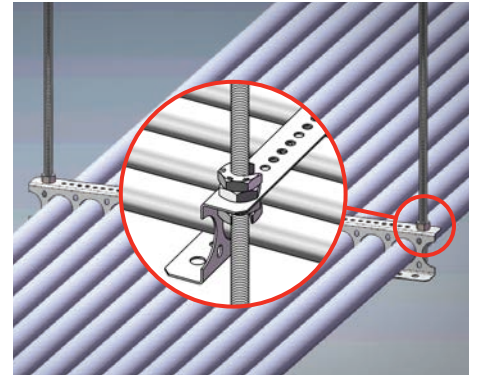
GOOD

Trapeze with strut and B2000 pipe clamps



BETTER

New conduit trapeze support (BCTS)



BEST

New conduit trapeze support (BCTS) with SLN

For more information, visit Eaton.com/conduit-support

Eaton
1000 Eaton Boulevard
Cleveland, OH 44122
United States
Eaton.com

© 2018 Eaton
All Rights Reserved
Printed in USA
Publication No. BR300006EN
April 2018 CTS-18

Eaton is a registered trademark.
All other trademarks are property of their respective owners.

Follow us on social media to get the latest product and support information.

