


A B R

► Model 371

Commander® Rotating Warning Lights

Federal Signal Model 371 incandescent warning lights have a powerful sealed beam lamp that rotates 360° within a glass dome. The lamp itself is mounted in a pivoting yoke. This allows the lamp beam angle to be adjusted through 90° from horizontal to vertical. Changing the beam angle allows the user to create unique light patterns and/or direct the light for better visibility.

The Model 371 features a 200 watt sealed beam lamp and a high-temperature resistant glass dome. The glass dome of the 371 is ideal for applications such as steel mills or arc furnaces/smelters where high ambient temperatures or red hot materials would melt or damage the polycarbonate dome.

The 371 base features electrostatically applied black epoxy paint for greater corrosion resistance. Wiring can be routed through the pipe-mount opening in the bottom of the light or the two side knockouts can be used for side entry wiring. Installation can be surface or 1-inch NPT pipe mount. Optional wall and corner mount brackets are available.

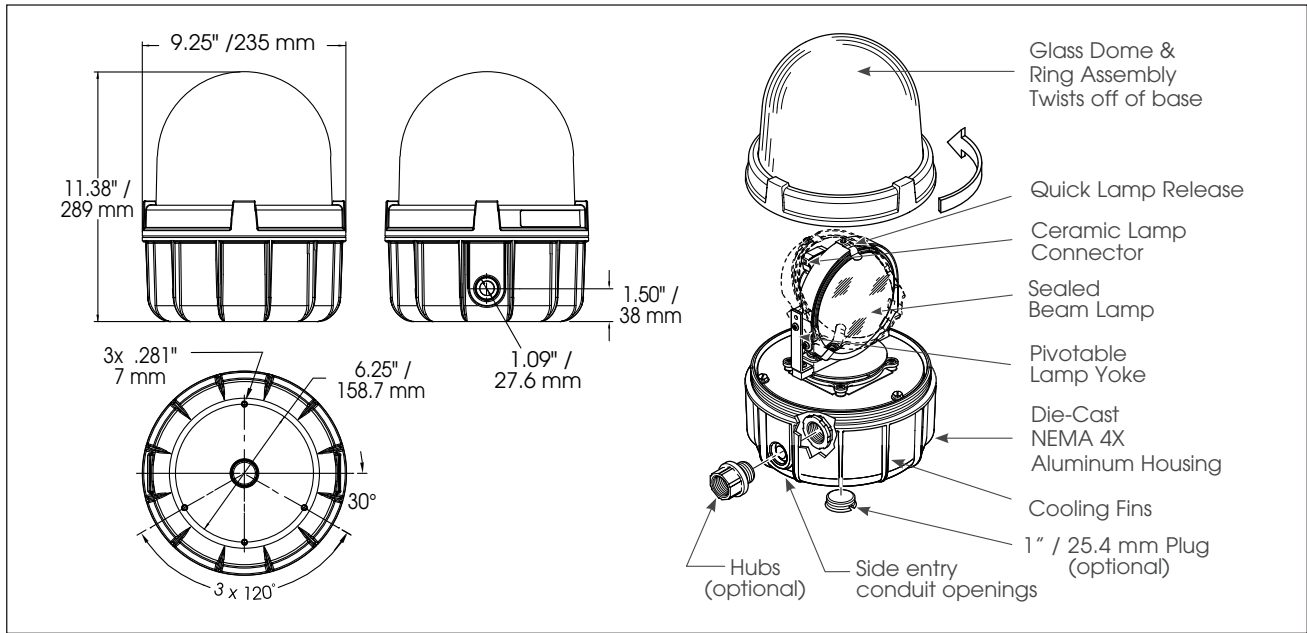
FEATURES

- Available in 120VAC
- Three lens colors: Amber, Blue and Red
- Pivoting lamp yoke
- Surface mount and integrated 1-inch NPT pipe mount
- Type 4X, IP66 enclosure
- UL and cUL Listed and CSA Certified

MODEL	VOLTAGE	OPERATING CURRENT	FLASH RATE/ MINUTE	CANDELA	MOUNT
371-120 *	120VAC 50/60Hz	1.75 amps	60	36,000	1" NPT Pipe/Surface

* Indicates color: (A) Amber, (B) Blue or (R) Red

Commander® Rotating Lights (371)



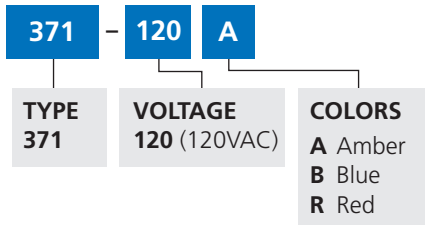
SPECIFICATIONS

Lamp Life:	2,000 Hours	
Light Source:	200W Sealed Beam	
Operating Temperature:	-31°F to 150°F	-35°C to 66°C
Net Weight:	13.25 lbs	6.0 kg
Shipping Weight:	14.25 lbs	6.5 kg
Height:	11.38"	288.9 mm
Diameter:	9.12"	231.8 mm

REPLACEMENT PARTS

Description (Current Series)	Part Number
Series B Dome and Ring Assembly	
Amber Glass	K8459126A
Blue Glass	K8459126A-01
Red Glass	K8459126A-02
Lamp, 200W	K8442A039
Motor and Gear Assembly	K8459A113B
Brush and Spring	K8442A028

HOW TO ORDER



OPTIONAL ACCESSORIES

Description	Part Number
Corner Bracket	LCMB2*
Wall Bracket	LWMB2*
Solid Surface Mounting Bracket	371BRCKT*
Shock Mount Kit	K8459A076C
3/4" Hub Kit	K8459138A
1" Plug Kit	K8459130A

*Rated for NEMA 3R installations.

Mounting Brackets shown on pages 128-129