

# **BALDOR® • RELIANCE**

## **Product Information Packet**

# **CDX1850**

**.5HP, 1750RPM, DC, 182CZ, X3623D, XPFC, F1**

Part Detail							
Revision:	AL	Status:	PRD/A	Change #:		Proprietary:	No
Type:	DC	Prod. Type:	3623D	Elec. Spec:	36WGZ141	CD Diagram:	CD0860C01
Enclosure:	XPFC	Mfg Plant:		Mech. Spec:	36-5382	Layout:	36LY5382
Frame:	182CZ	Mounting:	F1	Poles:	00	Created Date:	
Base:	RG	Rotation:	R	Insulation:	A	Eff. Date:	06-16-2015
Field Type:	Shunt	Literature:		Elec. Diagram:		Replaced By:	

**Specs**

Enclosure:	XPFC		
Frame:	182CZ		
Frame Material:	Steel		
XP Class and Group:	CLI GP D; CLII GP F,G		
Agency Approvals:	CSA		
	UL		
	UR		
Base Indicator:	Rigid		
Bearing Grease Type:	Polyrex EM (-20F +300F)		
Drip Cover:	No Drip Cover		
Duty Rating:	CONT		
Feedback Device:	NO FEEDBACK		
Field Winding Type:	SHUNT		
Heater Indicator:	No Heater		
Insulation Class:	A		
Lifting Lugs:	No Lifting Lugs		

<b>Motor Lead Quantity/Wire Size:</b>	2 @ 16 AWG		
	4 @ 18 AWG		
<b>Motor Lead Exit:</b>	Ko Box		
<b>Motor Lead Termination:</b>	Flying Leads		
<b>Mounting Arrangement:</b>	F1		
<b>Product Family:</b>	Hazardous Location Motor		
<b>Pulley End Bearing Type:</b>	Sealed Bearing		
<b>Shaft Extension Location:</b>	Pulley End		
<b>Shaft Ground Indicator:</b>	No Shaft Grounding		
<b>Shaft Rotation:</b>	Reversible		
<b>Shaft Slinger Indicator:</b>	No Slinger		
<b>Motor Standards:</b>	NEMA		
<b>XP Temp Code:</b>	T3B		

Nameplate NP0727XPSL	
NO.	
SER.	
SPEC.	36-5382Z141
CAT.NO.	CDX1850
HP	.5
RPM	1750
FRAME	182CZ
ARM V	90
FLD V	100/50
INSUL	A
DUTY	CONT
BRG/DE	BG6206
BRUSHES	2/BP5125A01
BLANK	
	T. CODE T3B
	ENCL XPFC
	TYPE 3623D
	ARM A 4.9
	FLD A .55/1.1
	AMB. 40
	SUPPLY K
	BRG/ODE BG6205

**DC Motor Performance Data**

Record # 1409 - Typical performance - not guaranteed values

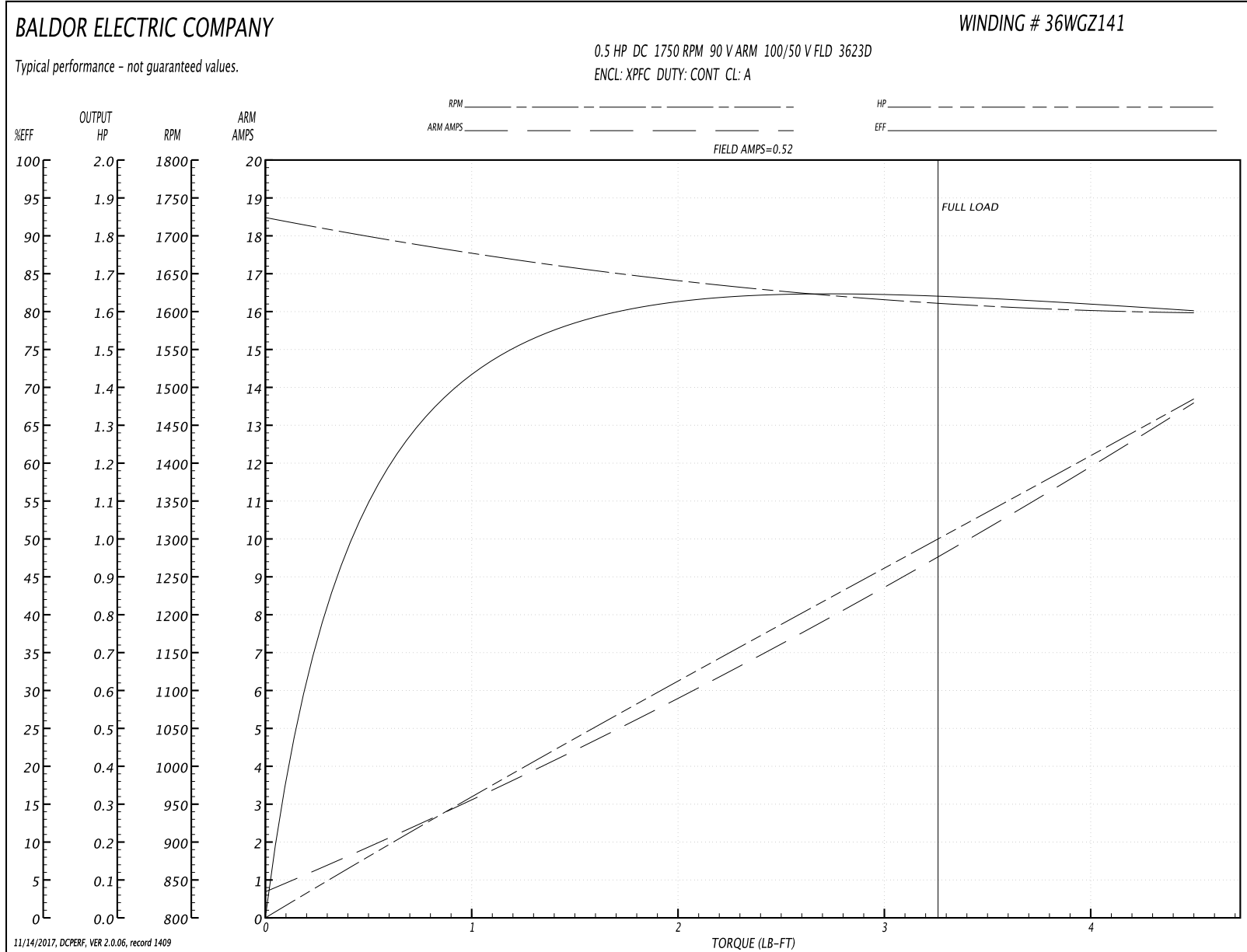
<b>Winding:</b> 36WGZ141-R001	<b>Type:</b> 3623D	<b>Enclosure:</b> XPFC
-------------------------------	--------------------	------------------------

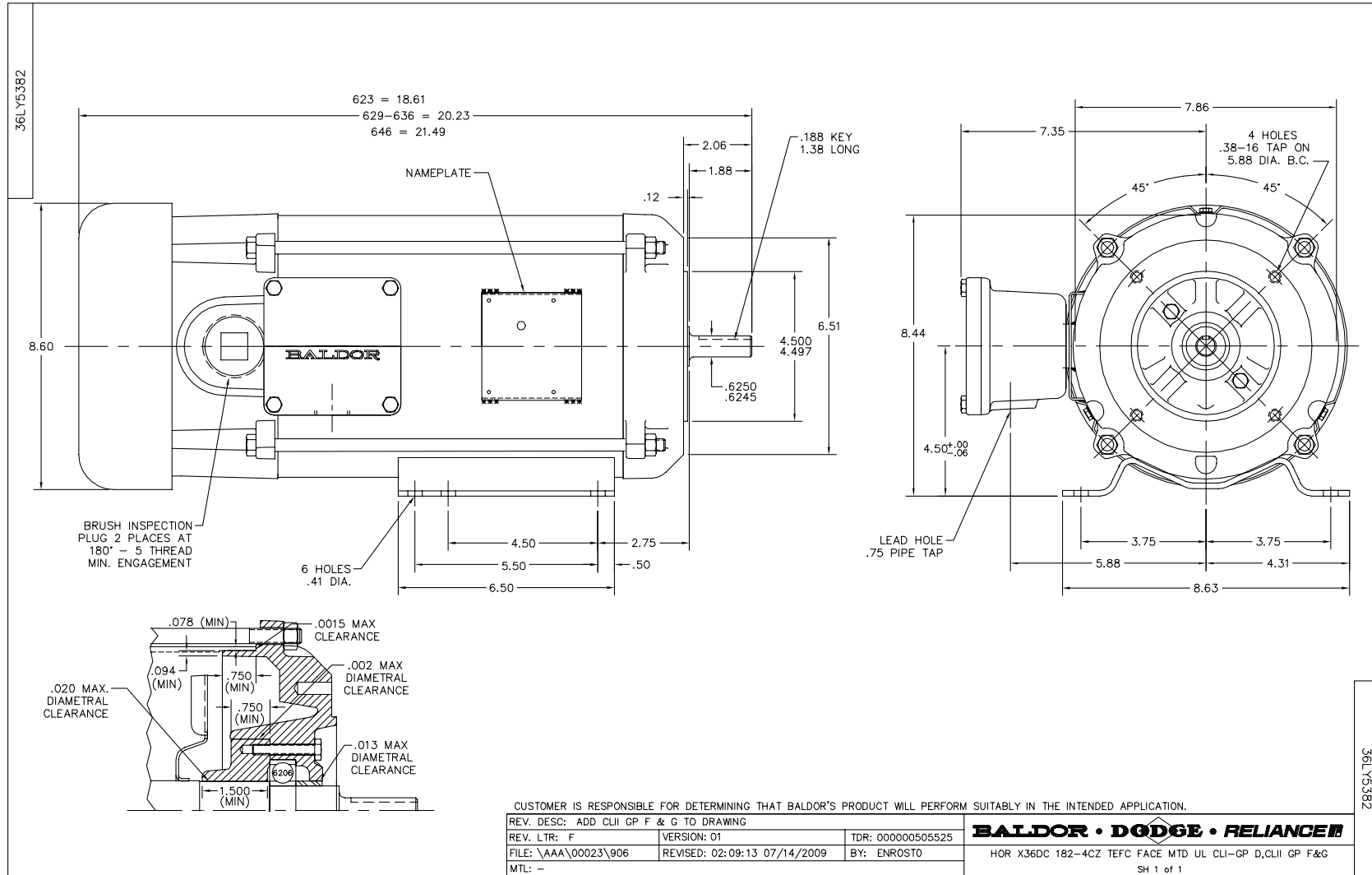
Nameplate Data		General Characteristics	
Rated Output (HP)	0.5	Armature Resistance @ 25°C	0.492 Ω
R.P.M.	1750	Commutating Winding Resistance @ 25°C	0.2924 Ω
Armature Volts	90		
Armature Amps	4.9	Shunt Winding Resistance @ 25°C	190.87 Ω
Field Volts	100 / 50		
Field Amps	0.55 / 1.1		
Rating - Duty	40C AMB-CONT		
Power Supply Code	K		

Load Characteristics at 90 Armature Volts, 100 Field Volts, 0.52 Field Amps

Load Point	1	2	3	4	5	6	7
Armature Amps	0.7	2.4	4.6	6.4	8.7	11.1	13.6
R.P.M.	1720	1694	1659	1631	1612	1606	1599
Torque ( LB-FT )	0	0.75	1.5	2.25	3	3.75	4.5

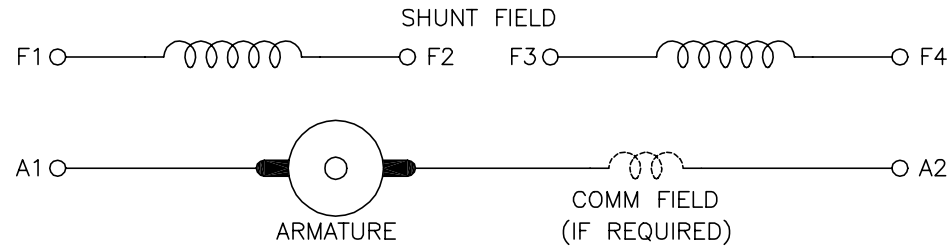
Performance Graph at 90.0 Arm V, 0.5HP Typical performance - Not guaranteed values





CD0860C01

# SHUNT WOUND



CONNECTION	DIRECTION OF ROTATION			
	CWDE		CCWDE	
	POS TERM (+)	NEG TERM (-)	POS TERM (+)	NEG TERM (-)
HIGH VOLTAGE	A1 F1 CONNECT F2 & F3	A2 F4	A2 F1 CONNECT F2 & F3	A1 F4
LOW VOLTAGE	A1 F1 & F3	A2 F2 & F4	A2 F1 & F3	A1 F2 & F4

**NOTES:**

1. LIMIT STARTING INRUSH CURRENT TO NOT MORE THAN 3 TIMES RATED AMPERES BY ENERGIZING THE FULL SHUNT FIELD BEFORE BRINGING THE ARMATURE VOLTAGE UP SLOWLY OR IN STEPS.
2. OPTIONAL FIELD REOSTAT MAY BE CONNECTED IN SERIES WITH THE SHUNT FIELD.
3. OPTIONAL THERMOSTAT LEADS ARE MARKED J,J.

REV. DESC: NEW, REPLACE CD0860			
REV. LTR: -	BY: JLP	REVISED: 15: 35: 22 11/03/2004	TDR: 347796
100098000		FILE: AAA00121477	REF: CD0860C01
		MTL: -	

**BALDOR ELECTRIC Co.**

DC CONNECTION DIAGRAM, SHUNT FIELD, 6 LEAD, DUAL VOLTAGE

CD0860C01