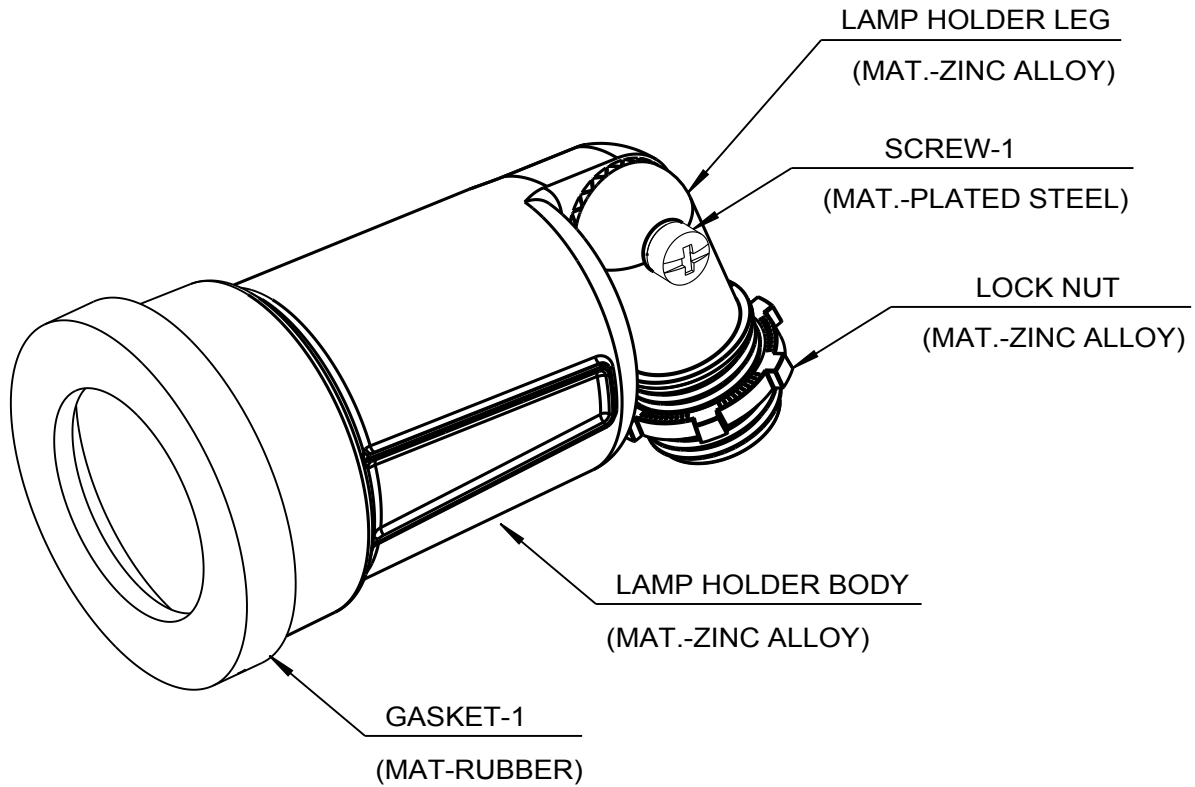




Red-Dot



NOTE:

1. MATERIAL: DIE CAST ZINC.
2. FINISH: POWDER COAT.
3. USES 150W PAR 38 OR R40 LAMP.

CAT. NO.	DESCRIPTION	OUTER GASKET	COLOR	LAMP COLOR
S500EG	LAMP HLDR ASSY WITH GASKET GRAY	YES	GRAY	PLATED
S500BREG	LAMP HLDR ASSY WITH GASKET BRONZE	YES	BRONZE	PLATED
S500WHEG	LAMP HLDR ASSY WITH GASKET WHITE	YES	WHITE	PLATED
S500E-RL	LAMP HLDR ASSY WITHOUT GASKET GRAY	NO	GRAY	PLATED
S500BRE-RL	LAMP HLDR ASSY WITHOUT GASKET BRONZE	NO	BRONZE	PLATED
S500WHE-RL	LAMP HLDR ASSY WITHOUT GASKET WHITE	NO	WHITE	PLATED

GENERAL NOTES

1. ALL DIMENSIONS ARE FOR REFERENCE ONLY.
2. DIMENSIONS IN BRACKETS [] ARE IN METRIC UNITS.

www.tnb.com

Thomas & Betts

A Member of the ABB Group

DESCRIPTION:

WEATHERPROOF LAMPHOLDER ASSEMBLY

REVISIONS

0	SEE ERN (****) FOR APPROVAL SIGNATURES & RELEASE DATE. PROJECT NO: ****
---	--

ORIGINAL PROJECT NO / (ERN NO)

002V000686 / (2017563)

SHEET NO:

1 OF 1

REV. NO:

0

DRAWING NO:

WSD-001719