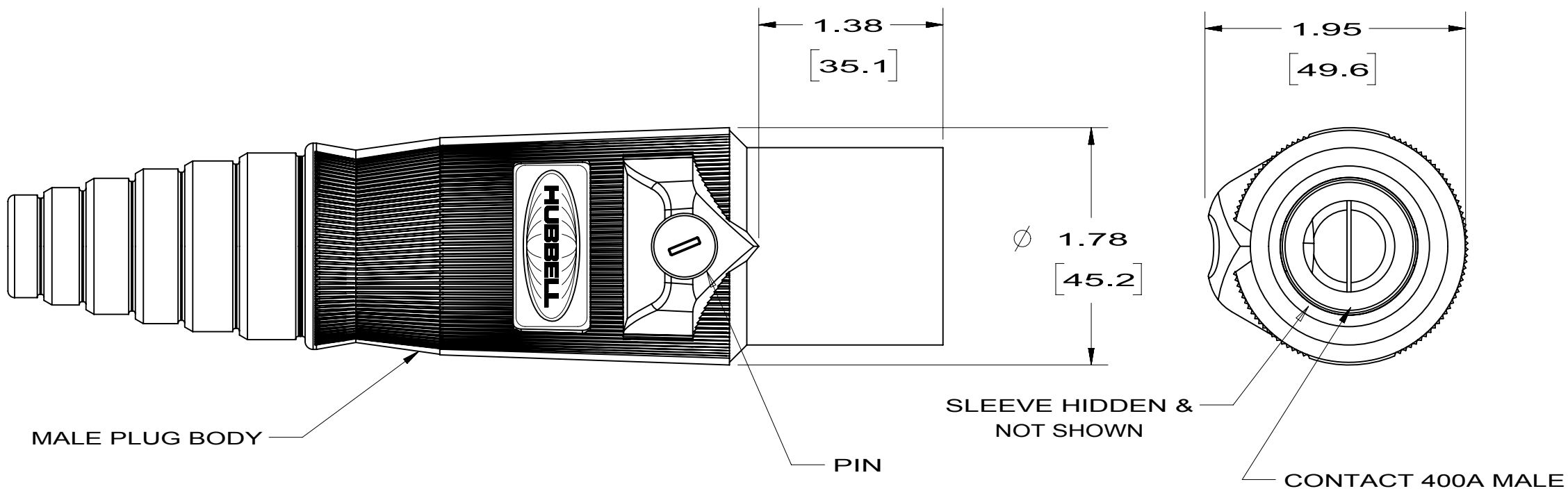
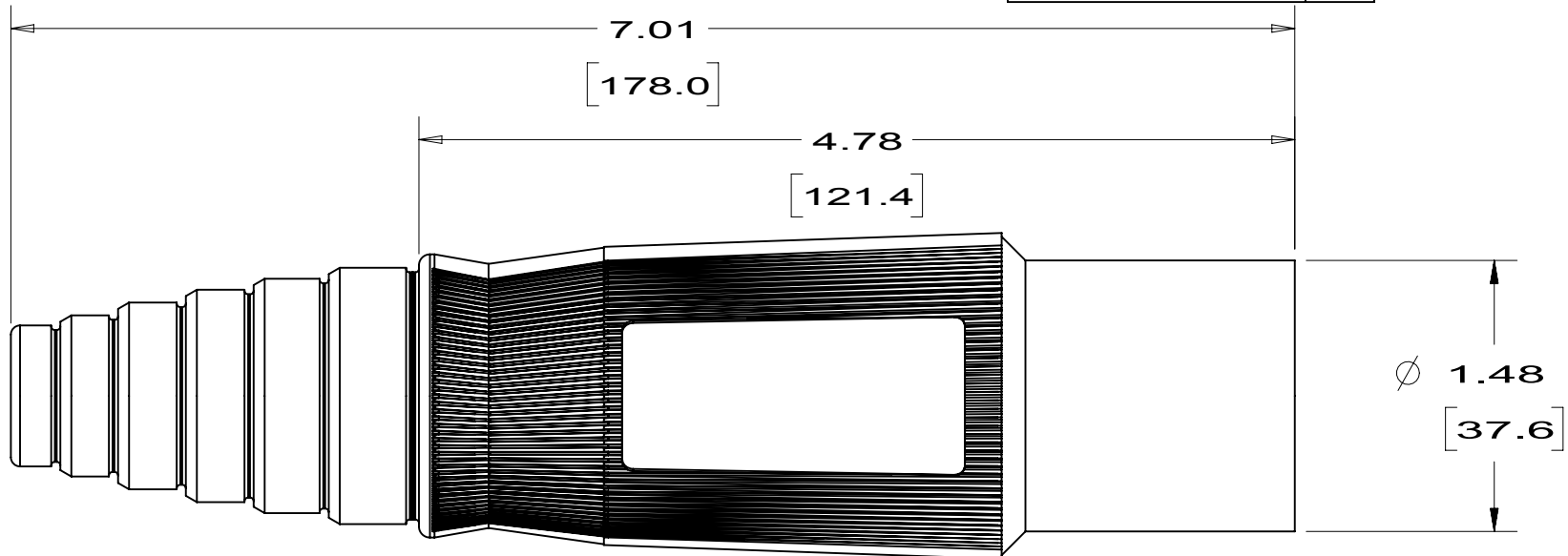


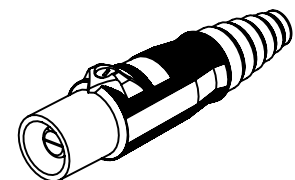
M-8910

6



LIST OF PARTS

DESCRIPTION	MATERIAL	FINISH
MALE PLUG BODY	TPE	SEE TABLE
SLEEVE	NYLON	BLACK
CONTACT 400A MALE	BRASS	
RIVET	BRASS	
PIN	NYLON	BLACK
SET SCREW	STEEL	NICKEL
LEAD WIRE	COPPER	
COPPER SHEET	COPPER	



CATALOG NO: HBL400MBK  
(NOT SHOWN TO SCALE)

SYM	REVISIONS	APP	DATE
6	REVISED NOTE 3 FROM 600VAC/250VDC TO 600V PER DCN 23410 RGP	RGP	11/01/17
5	ADDED ISO VIEW TO INDICATE SOLID MODEL EMBEDDED IN DRAWING. PER DCN 21895 DDL	DJP	02/25/16
4	08-15-14 UL FILE REVIEW UPDATED MARKINGS & DIMS. PER DCN 20659 CAC	CAC	8/15/14
3	3-21-12 DIM. 7.01 WAS 6.74 (ADDED 6th RING TO BODY) PER DCN 18725 CZH CZH	CZH	3/21/12

THE DESIGN AND DIMENSIONS OF THE PRODUCT SHOWN ON THIS DRAWING ARE SUBJECT TO CHANGE WITHOUT NOTICE

TITLE  
SINGLE POLE 400A MALE PLUGS

TOLERANCES UNLESS OTHERWISE SPECIFIED .XX = ± .01 .XXX = ± .005 ANGLES = ± 2°	WIRING DEVICE-KELLEMS HUBBELL INCORPORATED SHELTON, CT	
	DR. BY MJM	APP. BY TWB
	TR. BY	SCALE 1:1
	CHK'D BY TWB	DATE 6/11/03

- NOTES:
- DIMENSIONS ARE INCHES ± .02 [mm] ± .5
  - CABLE SIZE: 2/0 AWG - 4/0, COPPER ONLY
  - RATING 600V 400 AMPS
  - UL/c-UL ENCLOSURE TYPES 3R, 4X, 12, SEE INSTRUCTION SHEET
  - 1/2-20 UNF-2A X 1/2 LG. 7/32 SOCKET HEAD SET SCREWS, LEAD WIRE & COPPER SHEET NOT SHOWN.

HUBBELL CAT. NO.	COLOR
HBL400MBK	BLACK
HBL400MW	WHITE
HBL400MGN	GREEN
HBL400MR	RED
HBL400MBL	BLUE
HBL400MO	ORANGE
HBL400MBN	BROWN
HBL400MY	YELLOW

DIMENSION SHEET FOR CAT. NO. M-8910  
 REPAIRABLE  NON-REPAIRABLE   
 SEE TABLE  
 B  
 6