

B3067 - Welded Bracket - Heavy Duty

Max. Recommended Load: 3000 lbs. (13.34kN)

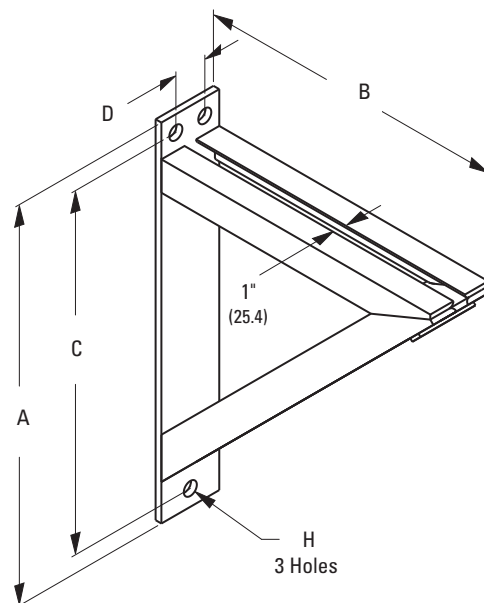
Material: Steel

Function: Recommended for supporting pipe on top or hanging through support bracket outward from mounting surface.

Approvals: Conforms to Federal Specification WW-H-171E & A-A-1192A, Type 33 and Manufacturers Standardization Society ANSI/MSS SP-69 & SP-58, Type 33.

Finish: Plain or Electro-Galvanized. Contact customer service for alternative finishes and materials.

Order By: Part number and finish



Only one hole in top for B3067-0

Part No.	Mtg. Hole H		A		B		C		D	
	in.	(mm)	in.	(mm)	in.	(mm)	in.	(mm)	in.	(mm)
B3067-0	1 ¹ / ₈ "	(28.6)	18"	(457.2)	12"	(304.8)	15 ¹ / ₄ "	(387.3)	**	**
B3067-1	1 ¹ / ₈ "	(28.6)	24"	(609.6)	18"	(457.2)	21 ¹ / ₄ "	(539.7)	2 ¹ / ₂ "	(63.5)
B3067-2	1 ¹ / ₈ "	(28.6)	30"	(762.0)	24"	(609.6)	27 ¹ / ₄ "	(692.1)	2 ¹ / ₂ "	(63.5)
B3067-3	1 ¹ / ₈ "	(28.6)	36"	(914.4)	30"	(762.0)	33"	(838.2)	2 ¹ / ₂ "	(63.5)
B3067-4	1 ¹ / ₈ "	(28.6)	42"	(1066.8)	36"	(914.4)	39"	(990.6)	3 ¹ / ₂ "	(88.9)
B3067-5	1 ¹ / ₈ "	(28.6)	50"	(1270.0)	42"	(1066.8)	46"	(1168.4)	3 ¹ / ₂ "	(88.9)

** One Hole

Part No.	Design Load		Approx. Wt./100	
	Lbs.	(kN)	Lbs.	(kg)
B3067-0	3000	(13.34)	2195	(995.6)
B3067-1	3000	(13.34)	4398	(1994.9)
B3067-2	3000	(13.34)	6294	(2854.9)
B3067-3	3000	(13.34)	7196	(3264.1)
B3067-4	3000	(13.34)	13197	(5986.2)
B3067-5	3000	(13.34)	15795	(7164.6)

All dimensions in charts and on drawings are in inches. Dimensions shown in parentheses are in millimeters unless otherwise specified.