

35kV	600A Deadbreak Cable Size Adapter	755CA-W
------	-----------------------------------	---------



## Features:

- Fully rated 35kV, 600 Amp Deadbreak Cable Size Adapter
- Fully shielded, fully submersible molded rubber housing
- 100% peroxide-cured construction includes insulation and conductive EPDM materials

## 755CA Cable Size Adapter

### Applications:

The 755CA cable size adapters are used to create an interface between cable and Elastimold® accessories and to provide electrical stress relief. 755CA cable size adapters mate with the following Elastimold® products:

- 755BLR
- 755BVS

### Ratings\*:

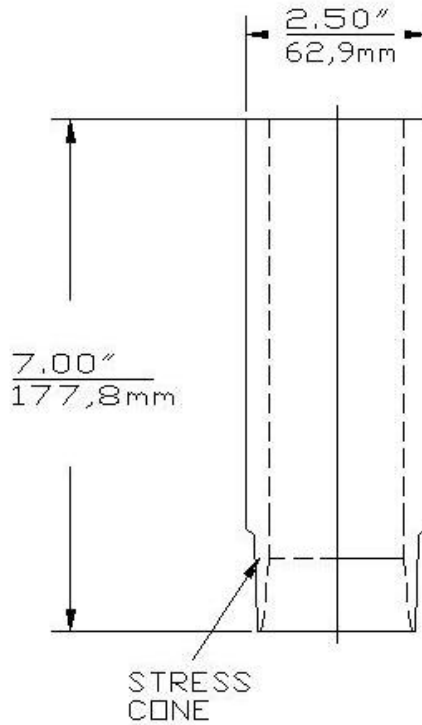
Meets ANSI/IEEE Standard 386, Latest Revision

#### For 35kV Voltage Class:

21.1kV Max Phase-to-Ground – Operating Voltage  
 36.6kV Max Phase-to-Phase  
 150kV BIL – Impulse Withstand (1.2 x 50 microsecond wave)  
 50kV AC – One minute withstand  
 103kV DC – 15 minutes withstand  
 26kV AC – Corona Extinction @ 3pC sensitivity  
 600 Amp – Continuous  
 25kA Sym – 10 Cycles Momentary

**\*When assembled with proper device**

35kV	600A Deadbreak Cable Size Adapter	755CA-W
------	-----------------------------------	---------



755CA -   W Code

### Catalog Number Selection:

#### Step 1 (W)

Determine the insulation diameter of the cable. Select the insulation letter code that best straddles the insulation diameter from W table below. Insert code into catalog number.

Cable Insulation Diameter in inches		Cable Insulation Diameter in millimeters		Symbol for W
MIN.	MAX.	MIN.	MAX.	
0.760	0.950	19.304	24.130	G
0.850	1.050	21.590	26.670	H
0.980	1.180	24.892	29.972	J
1.090	1.310	27.686	33.274	K
1.180	1.465	29.972	37.211	L
1.280	1.430	32.512	36.322	LM
1.370	1.630	34.798	41.402	M
1.515	1.780	38.481	45.212	N
1.725	1.935	43.815	49.149	P

#### Each kit contains the following:

- 1 Cable Adapter 755CA-W

#### Example:

The ordering number for a 600 series cable adapter with insulation diameter of 1.10" is 755CA-J.