

## Floor Boxes

### SystemOne Recessed 10 Gang Floor Box

For use in Raised Access or Wood Floors

# HUBBELL

#### Features

- 5 1/2 in. box depth
- Stamped steel construction
- 1/2 in to 2 in knock outs
- Patent pending, labor saving, easy mount device plates
- Rectangular covers

#### Ordering Information

- Temporary cover for use prior to trim-out
- 6 inch solid conductor ground pigtail in each gang

<b>Catalog Number</b> AFB10G55	<b>UPC Number</b> 783585447445	<b>Cover Series</b> 10GAFBxx	<b>Box Type</b> Raised Access
<b>Device Volume</b> 25 cu in.	<b>Depth Behind Mounting Plate</b> 2 3/4 in..	<b>Max. Tile Thickness</b> 2 in.	<b>Min. Tile Thickness</b> 3/4 in.

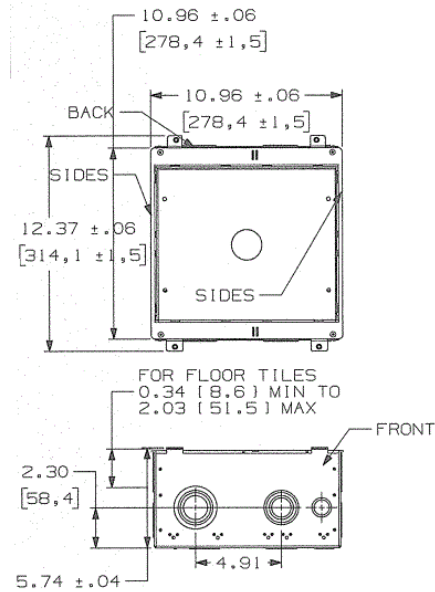
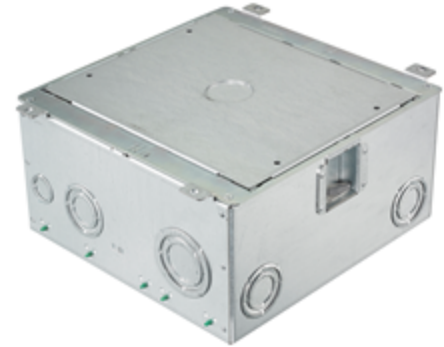
#### Specifications

Box Material	16 gauge galvanized steel
Access Cover Material (ordered separately)	Die cast aluminum

#### Required

##### Cover

- AFB Style Rectangular Covers (for use with carpet, [Click here](#) tile, VCT and other engineered floors)



#### Online Resources

Customer Use Drawing  
eCatalog  
Installation Instructions

Dimensions in Inches (mm)

Hubbell Wiring Device-Kellems • Hubbell Incorporated (Delaware) • 40 Waterview Drive • Shelton, CT 06484

Phone (800) 288-6000 • Fax (800) 255-1031 • Specifications subject to change without notice.

