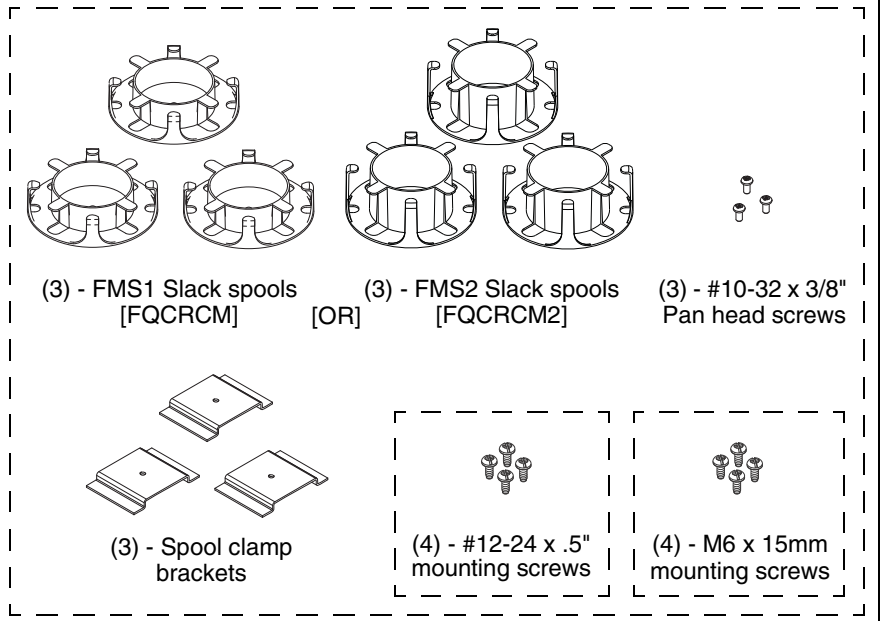
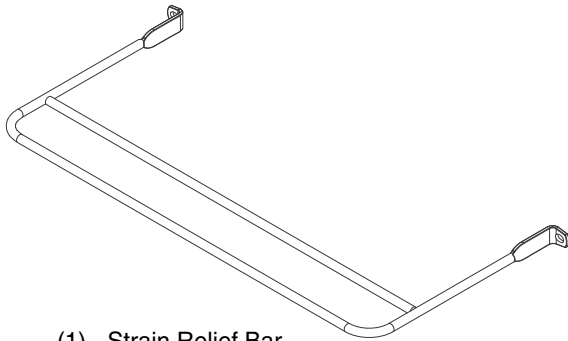


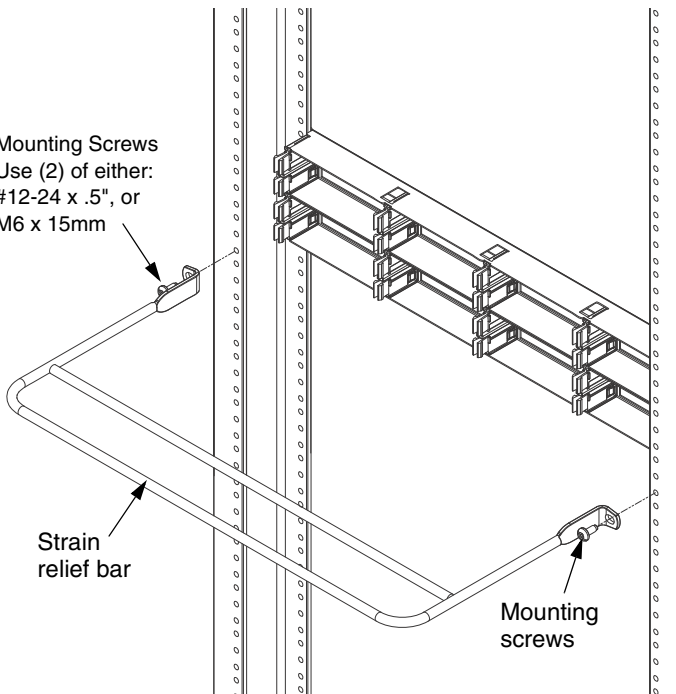
FQCRCM / FQCRCM2



Attaching the Strain Relief Bar and Spools

FQCRCM & FQCRCM2 intended for Panduit 2-Post Racks ONLY.
Not intended for 4-post racks, server cabinets or network cabinets.

Mounting Screws
Use (2) of either:
#12-24 x .5", or
M6 x 15mm



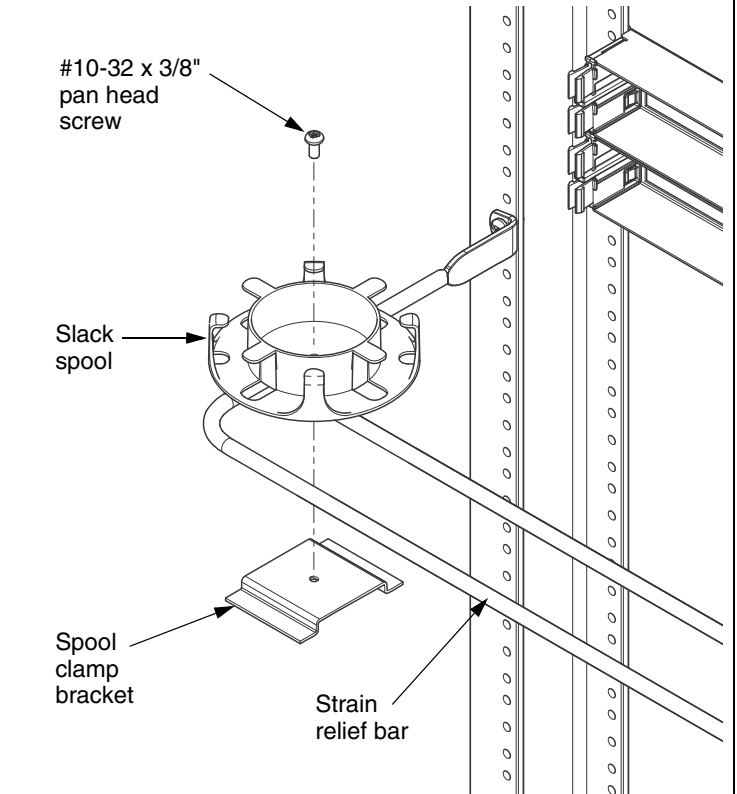
Mount the strain relief bar at the appropriate RU space. Use the lowest screw hole in the RU space.

#10-32 x 3/8"
pan head
screw

Slack
spool

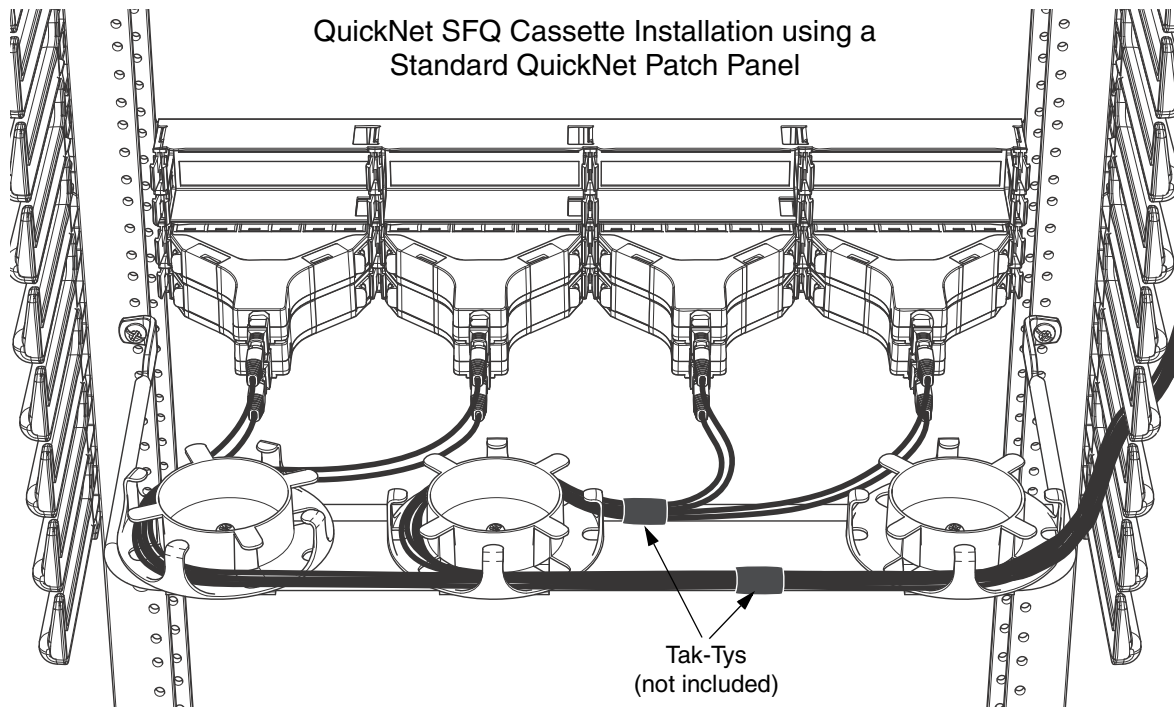
Spool
clamp
bracket

Strain
relief
bar

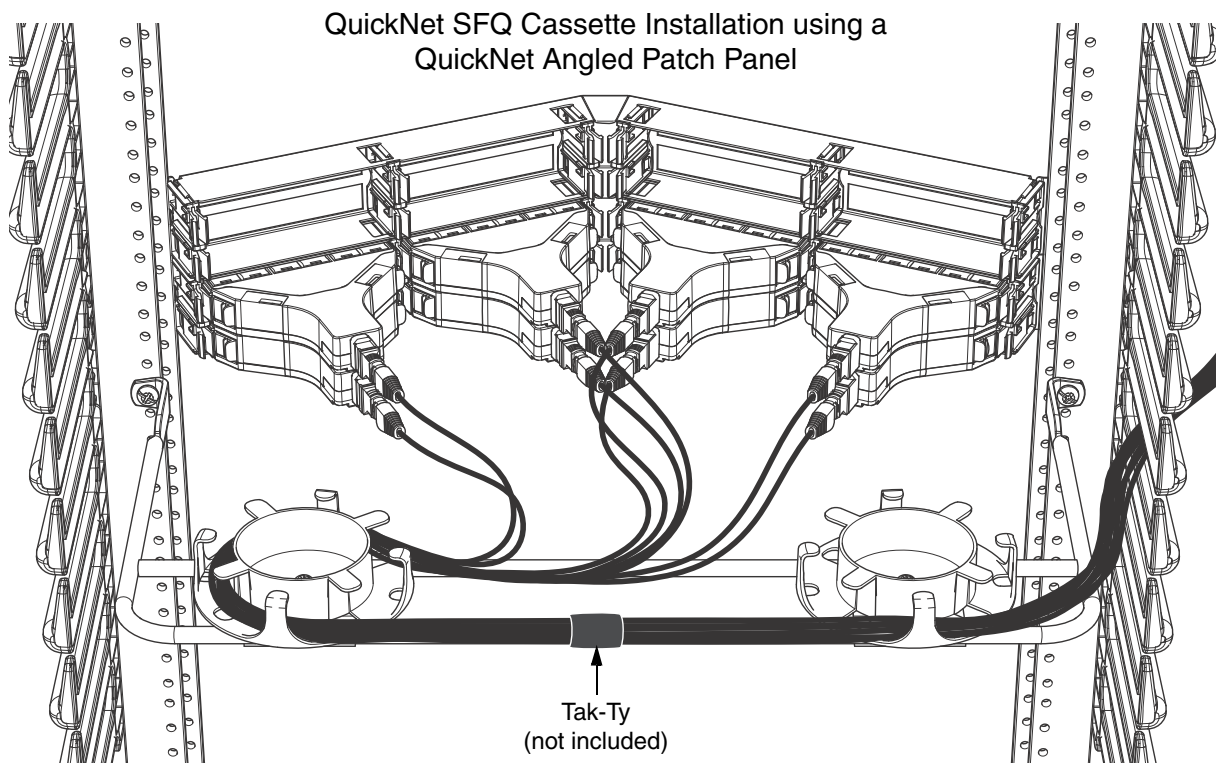


Attach spools, if needed, as shown.

Recommended Cable Routing and Spool Orientation



When used with QuickNet SFQ Cassettes, as shown above, the FCQRCM (shown) can support up to twenty-four MTP* interconnect cables. The FCQRCM2 can support up to thirty-six**. Only one RU is shown for clarity. Position spools as shown. Route interconnect cable from the vertical cable manager to the SFQ cassettes as shown. Use Tak-Tys to attach the fiber to the rear manager bars at the positions indicated in the illustration. Additional ribbon cable slack may be managed in the vertical manager or by making additional wraps around the slack spools. **INSTALLER TIP:** For best results, keep the cable transition in the vertical cable manager.

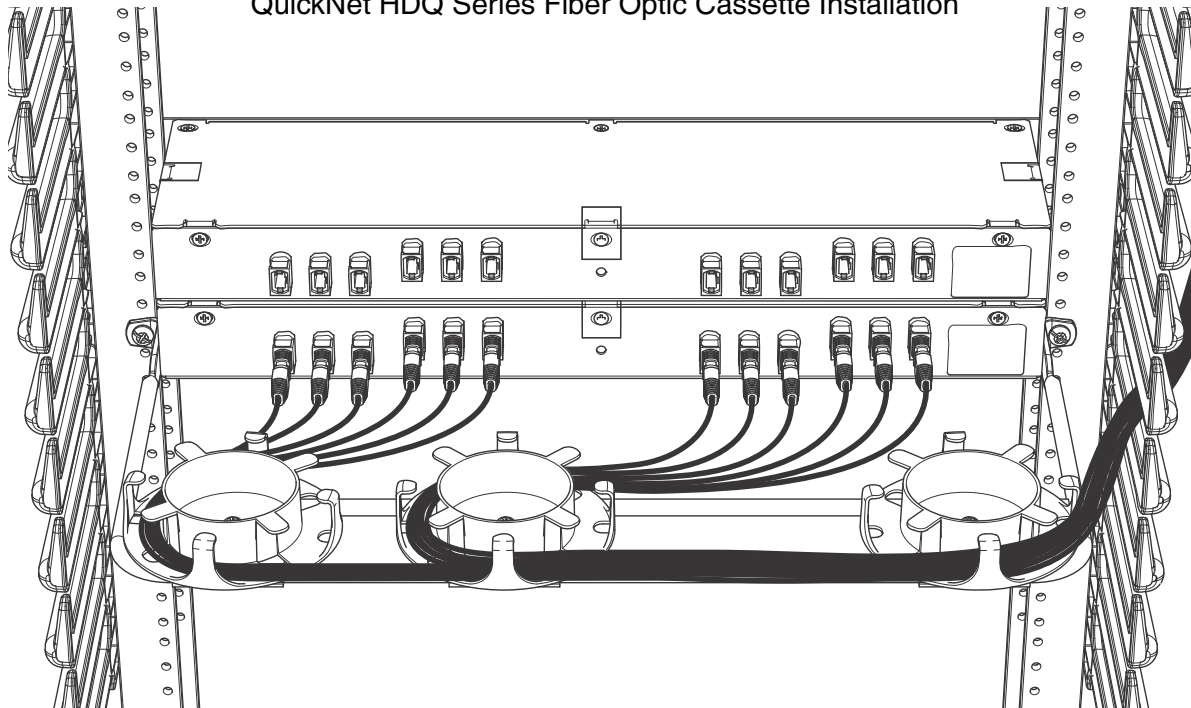


When supporting SFQ cassettes in a QuickNet Angled Patch Panel, interweave the MTP* interconnect cable for cassettes positioned in the center, as shown.

* MTP is a registered trademark of US Conec Ltd.

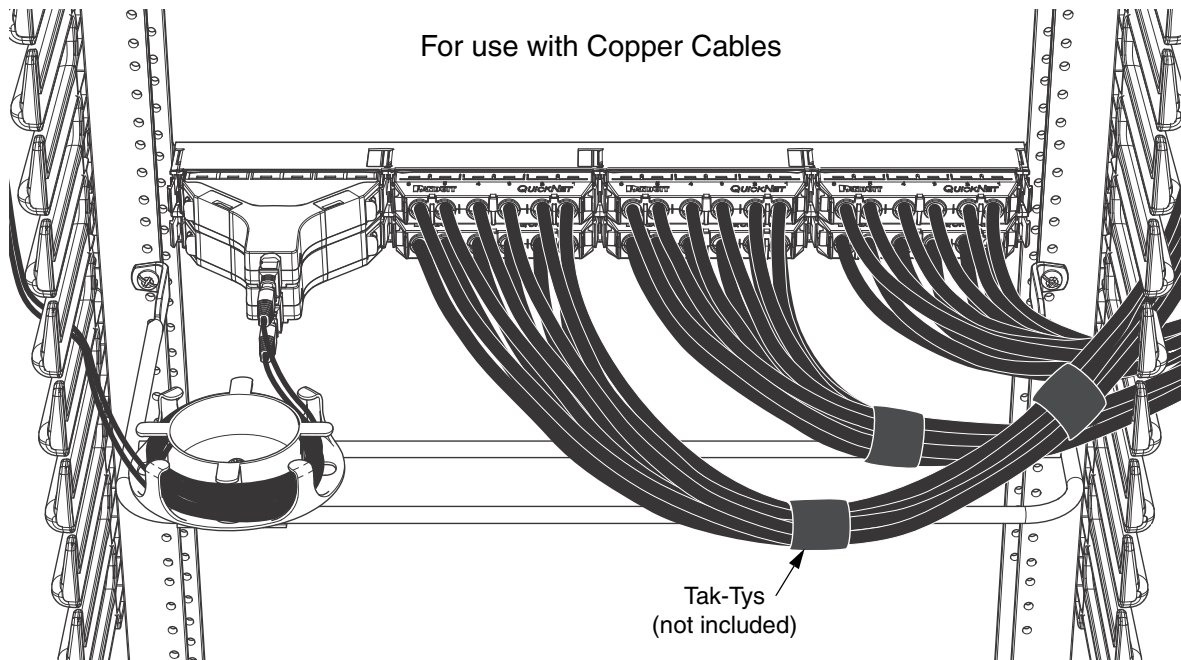
** Spool capacity given for approximately 1 meter breakout length.

QuickNet HDQ Series Fiber Optic Cassette Installation



When used with HDQ series cassettes, as shown above, the FQCRCM (shown) can support up to twenty-four MTP* interconnect cables. The FQCRCM2 can support up to thirty-six**. Only one RU is shown for clarity. Recommended spool positions are shown.

For use with Copper Cables



When routing fiber and copper cables in the same RU space, route the fiber separately from the copper cables to avoid damage to the fiber cables. Only two MTP* interconnect cables (two cassettes) can be supported by the FQCRCM when used with 36 copper cables (6 cassettes).

* MTP is a registered trademark of US Conec Ltd.

** Spool capacity given for approximately 1 meter breakout length.

For Instructions in Local Languages and Technical Support:

www.panduit.com/resources/install_maintain.asp



www.panduit.com

E-mail: techsupport@panduit.com

Phone: 866-405-6654