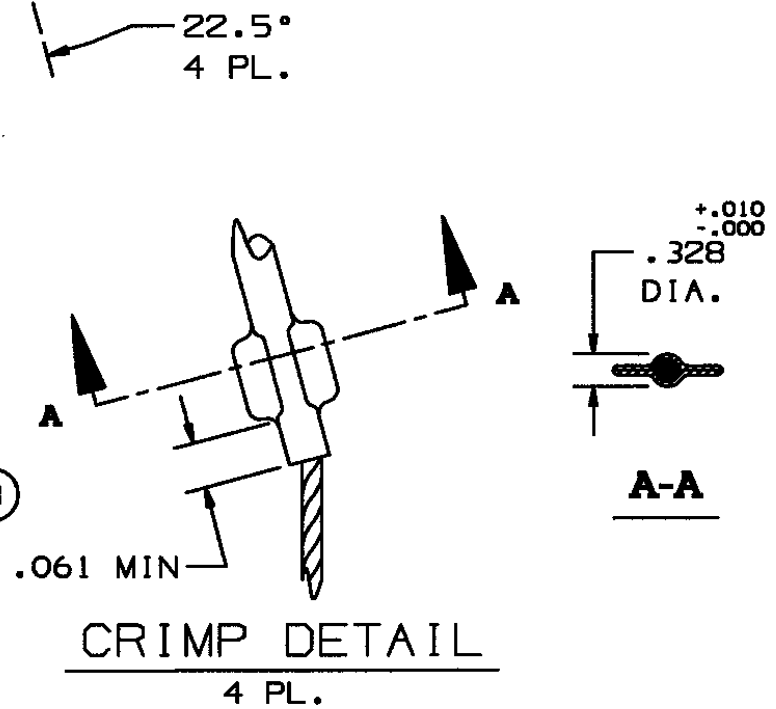
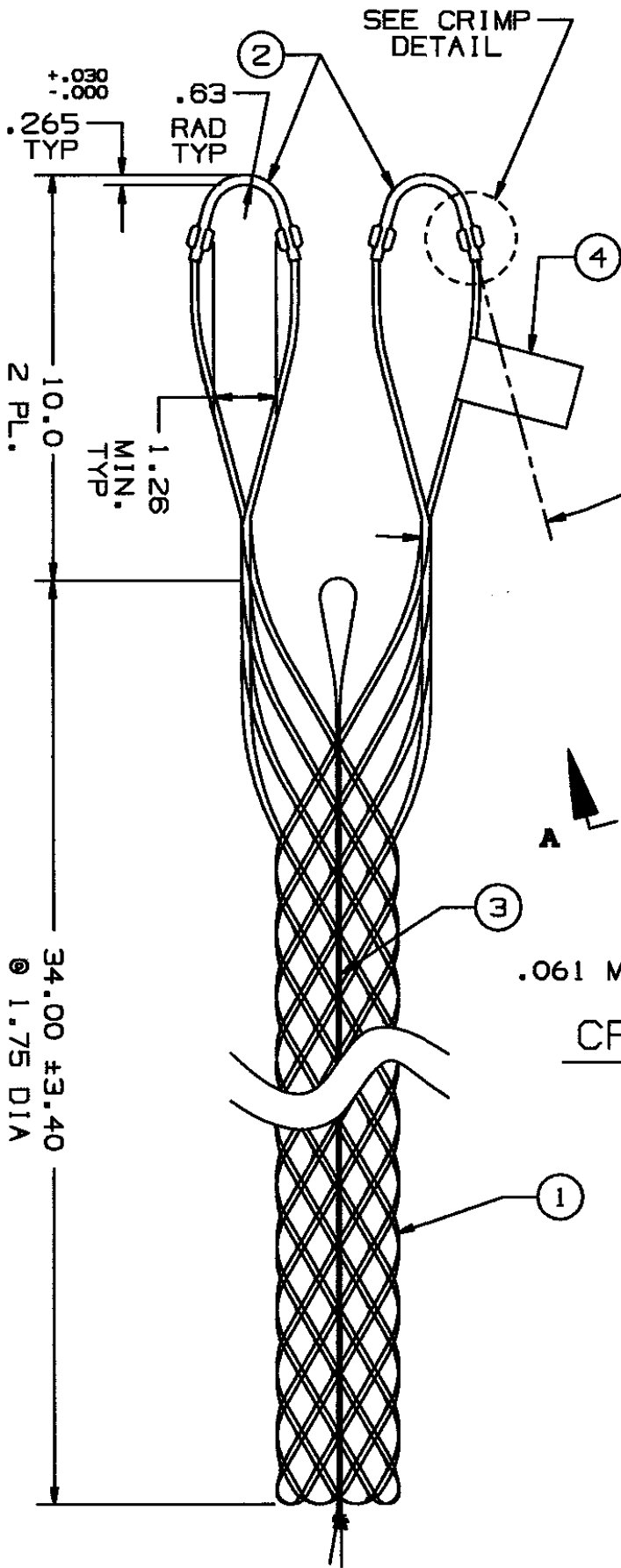


**COMPONENT LIST**

ITEM NO.	DESCRIPTION	MAT'L	COMPONENT NO.	QTY.
1	STRAND	T BRZ	302-01-006	
2	EYE	SST	304-46-081	2
3	LACE	T BRZ	302-74-012	2
4	TAG	MYLAR		1



IN ACCEPTING OUR DRAWINGS OR BLUEPRINTS FOR QUOTATION OR OTHER PURPOSES, YOU AGREE NOT TO DISCLOSE TO OTHERS THE IDEAS, INFORMATION, OR DESIGNS THEREIN SHOWN, AND THAT YOU WILL MAKE NO USE OF OUR DRAWINGS OR BLUEPRINTS OR OF THE IDEAS, INFORMATION, OR DESIGNS THEREIN SHOWN WITHOUT OUR PERMISSION.

TITLE GRIP, HEAVY, SUPPORT, SPLIT-LACE CLOSING, DOUBLE WEAVE, DOUBLE EYE  
DIA. RA 1.50-1.99  
APPROX BRK STR. 4280# ± 20%

TOLERANCES UNLESS OTHERWISE SPECIFIED .X = ±.5 .XX = ±.05 .XXX = ±.015 ANGLE TOL. ± 2°	HUBBELL INCORPORATED KELLEMS DIVISION STONINGTON, CT	
	DR. BY FBR	APP. BY FFS
	TR. BY	SCALE N/A
PROJECT NO.	CHK. BY FFS	DATE 11-8-93

DR. NO. **022-07-004** REV. **N**