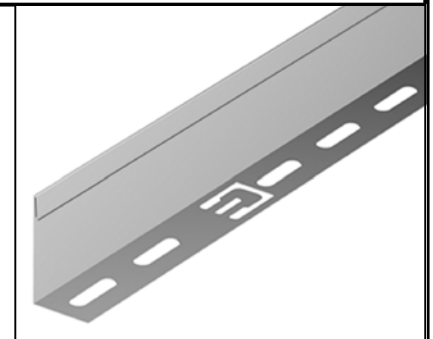
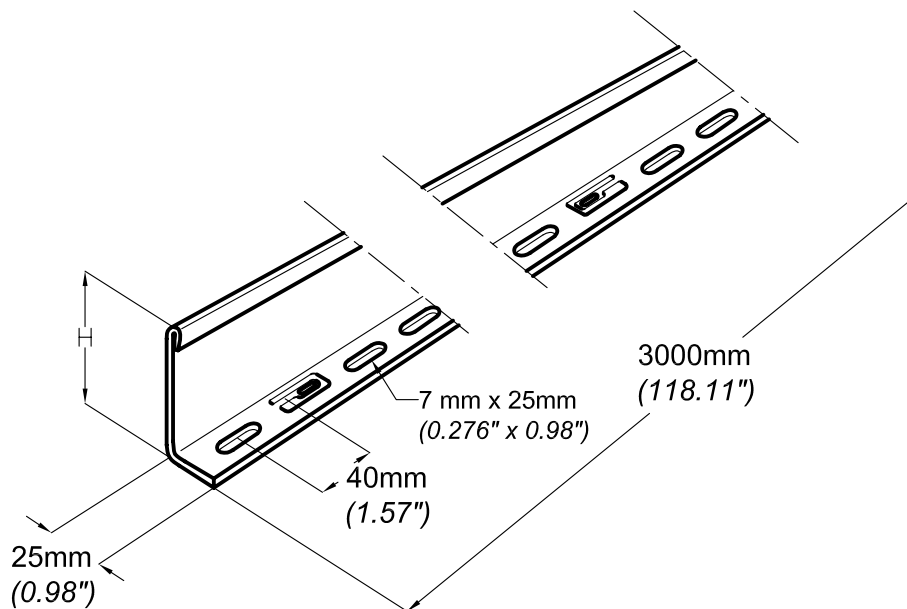
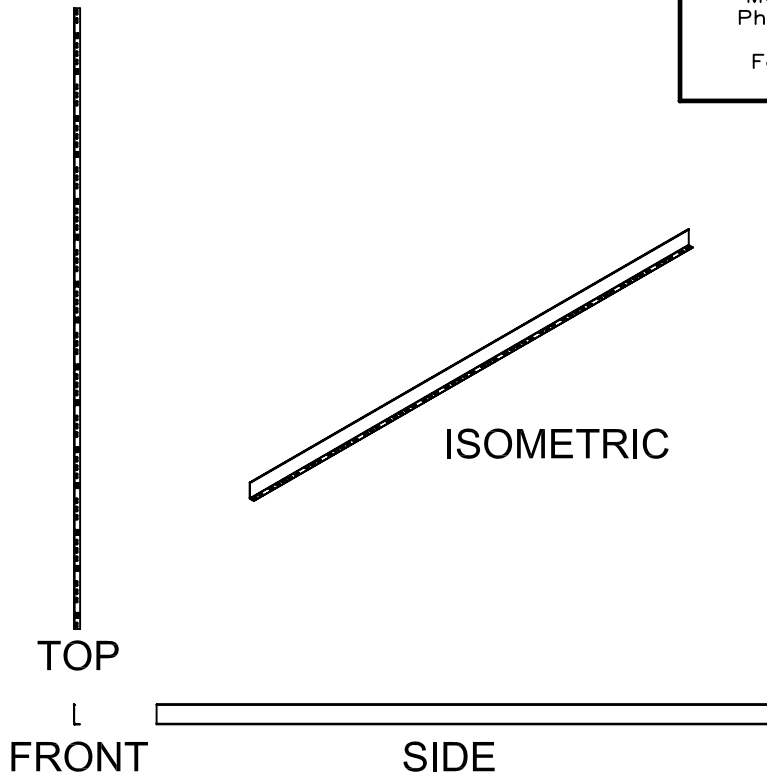




COT DIVIDER STRIP

CABLOFIL®

INNOVATORS IN CABLE MANAGEMENT

8319 State Route 4
 Mascoutah IL 62258
 Phone: 800-658-4641
 618-566-3230
 Fax: 618-566-3250
www.cablofil.com



			
	in	mm	lb
COT 30	1.00	30	2.0
COT 54	2.00	54	2.8
COT 105	4.00	105	4.7
COT 150	6.00	150	6.6

PG GC 316L BL PE