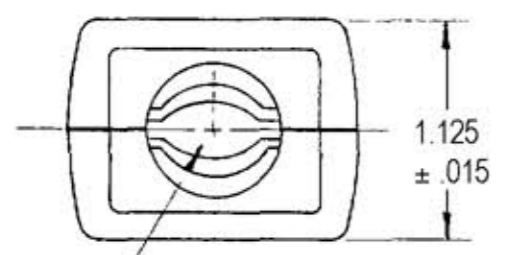
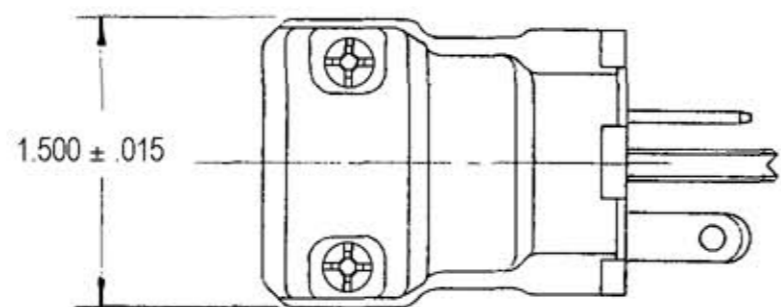
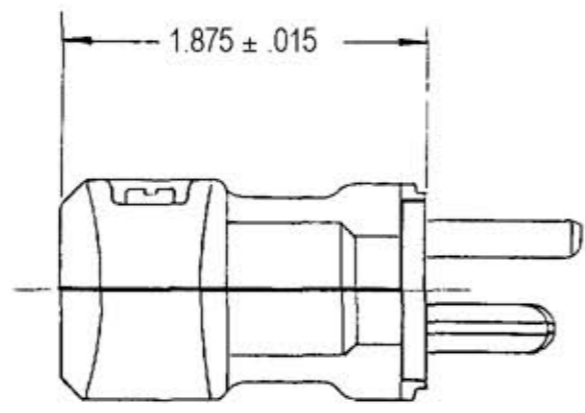


M-5973

1



CORD CLAMPS TAKE CORDS FROM Ø .453 - .719



LIST OF PARTS

DESCRIPTION	MATERIAL	FINISH
HOUSING	NYLON	YELLOW
CONTACT BLADES	BRASS	I-WHITE
WIRE CLAMPS	STEEL	NICKEL PL.
BINDING SCREWS	STEEL	I-WHITE
HEX BIND'G. SCREW	STEEL	I-COPPER
CORD CLAMP SCRS.	STEEL	YELL. CHRO.

DIMENSION SHEET FOR CAT. NO. HBL5364VY

REPAIRABLE NON-REPAIRABLE

1	CONVERTED ALL DIMS TO 3 PL DECIMAL, REVD VIEW TO SHOW TRI-DRIVE SCREWS, PER DCN #7773. AMZ DB	APP	7-6-00
SYM	REVISIONS	APP	DATE

B
M-5973
1

CAT NO. HBL5364VY

TITLE
20A. 125V. 3 WIRE GROUNDING
DEAD FRONT NYLON VALISE PLUG

TOLERANCES UNLESS OTHERWISE SPECIFIED		HARVEY HUBBELL, INC.	
FRACTIONS ± 1/64		BRIDGEPORT, CONN.	
DECIMALS ± .005		DR. BY ASM.....	APP. BY.....
ANGLES ± 2°		TR. BY.....	SCALE FULL.....
		CHK'D. BY.....	DATE 5-13-77