

## ERG4004 COMFORT CRIMP® COMPRESSION TOOL WITH SHURE STAKE® MECHANISM For Installing AB & C-Flag Terminals 22-10 AWG and Non-Insulated Terminals, Disconnects, and Splices 22-18, 12-10 AWG



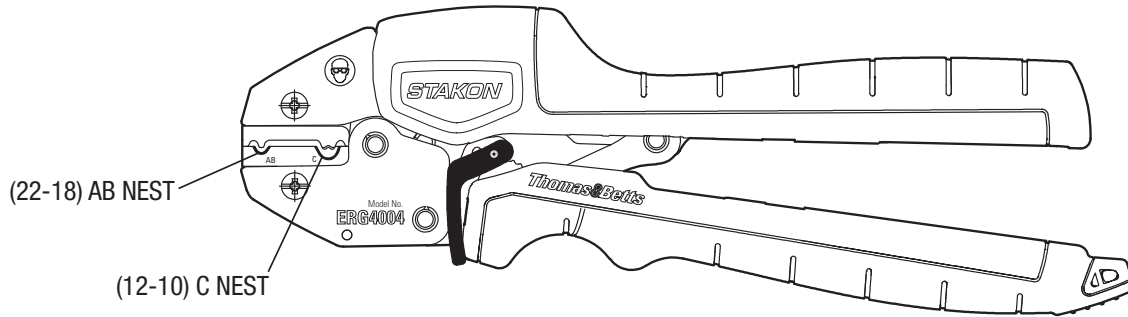
**IMPORTANT:** Read and understand all of the instructions and safety information in this manual before operating or servicing this tool.



**WARNING**  
KEEP ALL BODY PARTS AWAY FROM DIE NEST  
DURING GAGING OR CRIMPING PROCEDURE.



**WARNING**  
HANDLES ARE NON-INSULATING.  
DO NOT CRIMP ON HOT ENERGIZED WIRES.



In the event the SHURE STAKE® mechanism must be released, please see Figure 5.

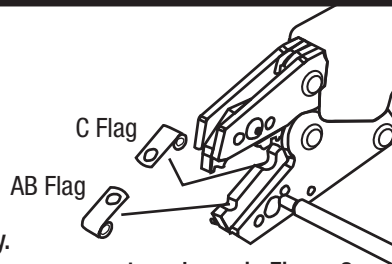
Figure 1

## 1.0

## INSTRUCTIONS FOR USE

### 1.1

For Use With AB & C Flag Terminals  
22-10 AWG



1. Open handles fully.
2. Insert terminal into proper nest as shown in Figure 2.  
**AB Flag** - use forward nest as indicated. Place barrel position downward and tongue pointing rearward.  
**C Flag** - use rear nest as indicated. Place barrel positioned downward and tongue pointing forward.
3. Close the handles slightly to secure the terminal. Do not deform the terminal.
4. Insert stripped wire.
5. Close handles until SHURE STAKE® mechanism cycle has been completed.

Figure 2

### 1.2

For Use With Non-Insulated Terminals,  
Disconnects, and Splices 22-18,12-10 AWG

1. Open handles fully.
2. Position terminals/splices in proper nest as shown in Figure 3.  
22-18 - use front AB nest  
12-10 - use rear C nest  
Terminal barrel seam or splice window should face indenter.
3. Close handles slightly to secure terminal. Do not deform terminal.
4. Insert stripped wire.
5. Close handles until the SHURE STAKE® mechanism cycle has been completed.
6. Repeat steps 2-5 on opposite end of splice.

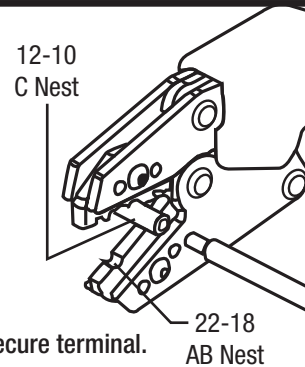


Figure 3

# 1.3

## CRIMP ASSIST™ Foot

For larger wire and terminal combinations that require more force to complete the crimp, it may be useful to press the tool against a flat work surface (i.e. worktable, floor, etc.) to gain more leverage. The patent pending Crimp Assist™ foot helps stabilize the tool during this type of operation.

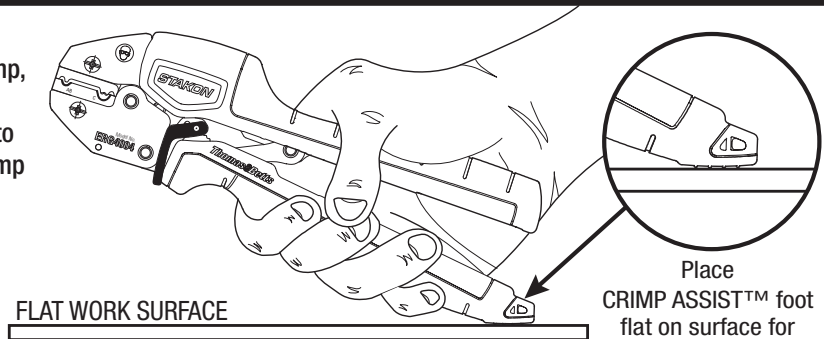


Figure 4

# 1.4 SHURE STAKE® Mechanism



To release the SHURE STAKE® mechanism, push up on the release bar until the ratchet teeth are disengaged.

Figure 5

# 1.5

## Maintenance

1. Remove dust, moisture, and other contaminants with a clean brush or a soft, lint-free cloth.
2. DO NOT use on objects that could damage the tool.
3. Make certain all pins, pivot points, and bearing surfaces are protected with a THIN coat of any good SAE No. 20 motor oil. DO NOT oil excessively.
4. Keep handles closed when not in use to prevent objects from becoming lodged in the crimping dies.
5. Store tool in a cool, dry area.

# 2.0

## GAGING VERIFICATION

**NOTE:** Calibration verification procedure should be performed whenever damage or suspected damage has occurred or as often as operation conditions warrant.

# 2.1

## Visual Inspection

Tool must be free of cracks, sharp edges and any other obvious imperfections that may affect performance of the tool. Nest area must be free of burrs, dents or scratches.

TABLE 1

ERG4004 GAGING REQUIREMENTS		
NEST	GAGING MIN. – MAX.	WIRE SIZE AWG
A, B	.062 – .067	#22 – #18
C	.112 – .117	#12 – #10

# 2.2

## Gaging Procedure

1. Wipe die nest before gaging.
2. Swing locator away from nests. (Gages are to be inserted on this side.)
3. Close handles until SHURE STAKE® mechanism just trips.
4. Using gage pins, insure that each nest meets the gaging requirements as specified, in Table 1.

For parts, service, repair and calibration, contact the Thomas & Betts Tool Service Center at 1-800-284-TOOL (8665).

**WARRANTY:** Thomas & Betts sells this product with the understanding that the user will perform all necessary tests to determine the suitability of this product for the user's intended application. Thomas & Betts warrants that this product will be free from defects in materials and workmanship for the period stated on the enclosed warranty card. Upon prompt notification of any warranted defect, Thomas & Betts will, at its option, repair or replace the defective product or refund the purchase price. Proof of purchase is required. Misuse or unauthorized modification of the product voids all warranties.

**Limitations and Exclusions:** THE ABOVE WARRANTY IS THE SOLE WARRANTY CONCERNING THIS PRODUCT, AND IS IN LIEU OF ALL OTHER WARRANTIES EXPRESS OR IMPLIED, INCLUDING BUT NOT LIMITED TO ANY IMPLIED WARRANTY OF MERCHANTABILITY OR FITNESS FOR A PARTICULAR PURPOSE, WHICH ARE SPECIFICALLY DISCLAIMED. LIABILITY FOR BREACH OF THE ABOVE WARRANTY IS LIMITED TO COST OF REPAIR OR REPLACEMENT OF THE PRODUCT, AND UNDER NO CIRCUMSTANCES WILL THOMAS & BETTS BE LIABLE FOR ANY INDIRECT, SPECIAL, INCIDENTAL OR CONSEQUENTIAL DAMAGES.