

# **BALDOR**® • **RELIANCE**

## **Product Information Packet**

# **GCP3310**

**.17HP, 1700RPM, 1PH, 60HZ, PSLH, 3316C, TENV,**

Part Detail							
Revision:	X	Status:	PRD/A	Change #:		Proprietary:	No
Type:	AC	Elec. Spec:	33WGW200	CD Diagram:	CD0014A03	Mfg Plant:	
Mech. Spec:		Layout:	33E604W200K2	Poles:	04	Created Date:	11-10-2006
Base:		Eff. Date:	09-15-2017	Leads:	4#18		

Specs			
Catalog Number:	GCP3310		
Enclosure:	TENV		
Frame Material:	Steel		
Output @ Frequency:	.170 HP @ 60 HZ		
Synchronous Speed @ Frequency:	1800 RPM @ 60 HZ		
Voltage @ Frequency:	115.0 V @ 60 HZ		
Agency Approvals:	CSA		
	UR		
Current @ Voltage:	2.120 A @ 115.0 V		
Duty Rating:	CONT		
Feedback Signal:	NONE		
Heater Indicator:	No Heater		
Insulation Class:	B		
Inverter Code:	Not Inverter		
KVA Code:	-		
Motor Lead Quantity/Wire Size:	4 @ 18 AWG		
Motor Type:	3316C		
Product Family:	General Purpose		

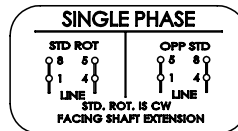
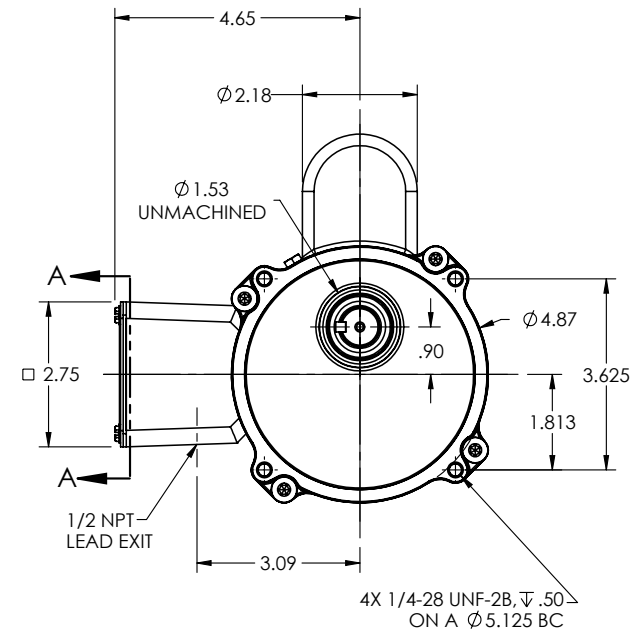
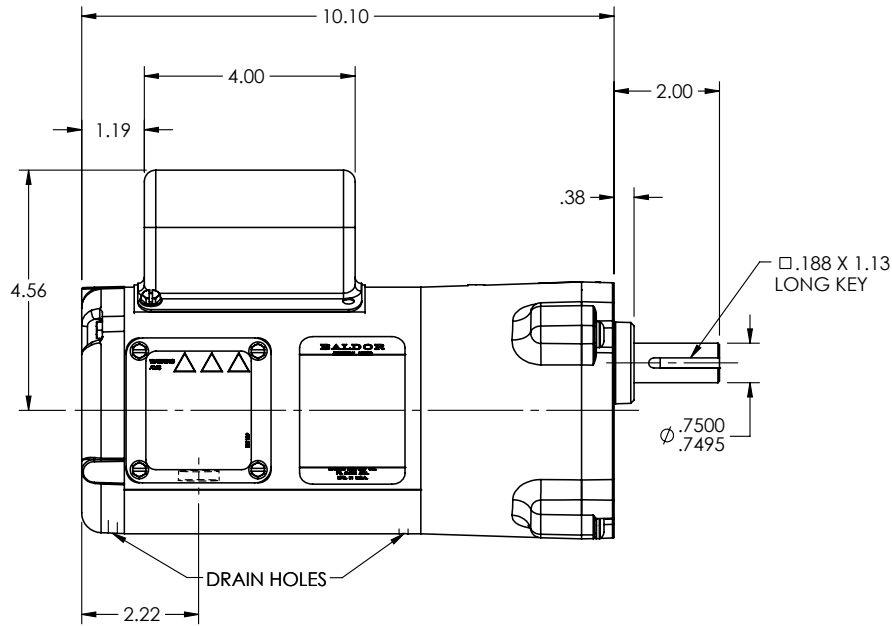
<b>RoHS Status:</b>	ROHS COMPLIANT		
<b>Shaft Rotation:</b>	Reversible		
<b>Motor Standards:</b>	NEMA		
<b>Starting Method:</b>	Full Voltage		
<b>Thermal Device - Winding:</b>	None		
<b>Winding Thermal 1:</b>	None		
<b>Winding Thermal 2:</b>	None		

## Nameplate NP1220A07

CAT.NO.	GCP3310		
SER.NO.			
SPEC.	33E604W200K2		
HP	.17	TE	
VOLTS	115		
AMP	2.12		
HZ	60	PH	1
AMB.	40	DUTY	CONT
CAP	20	CODE	-
SER.F.	1.00	CLASS	B
R.P.M.	85		
TORQ/IN LB	112		
RATIO	20:1		
APRV-CSA		APRV-UL	

No performance data has been  
assigned to this product.

33E604W200K2



SECTION A-A

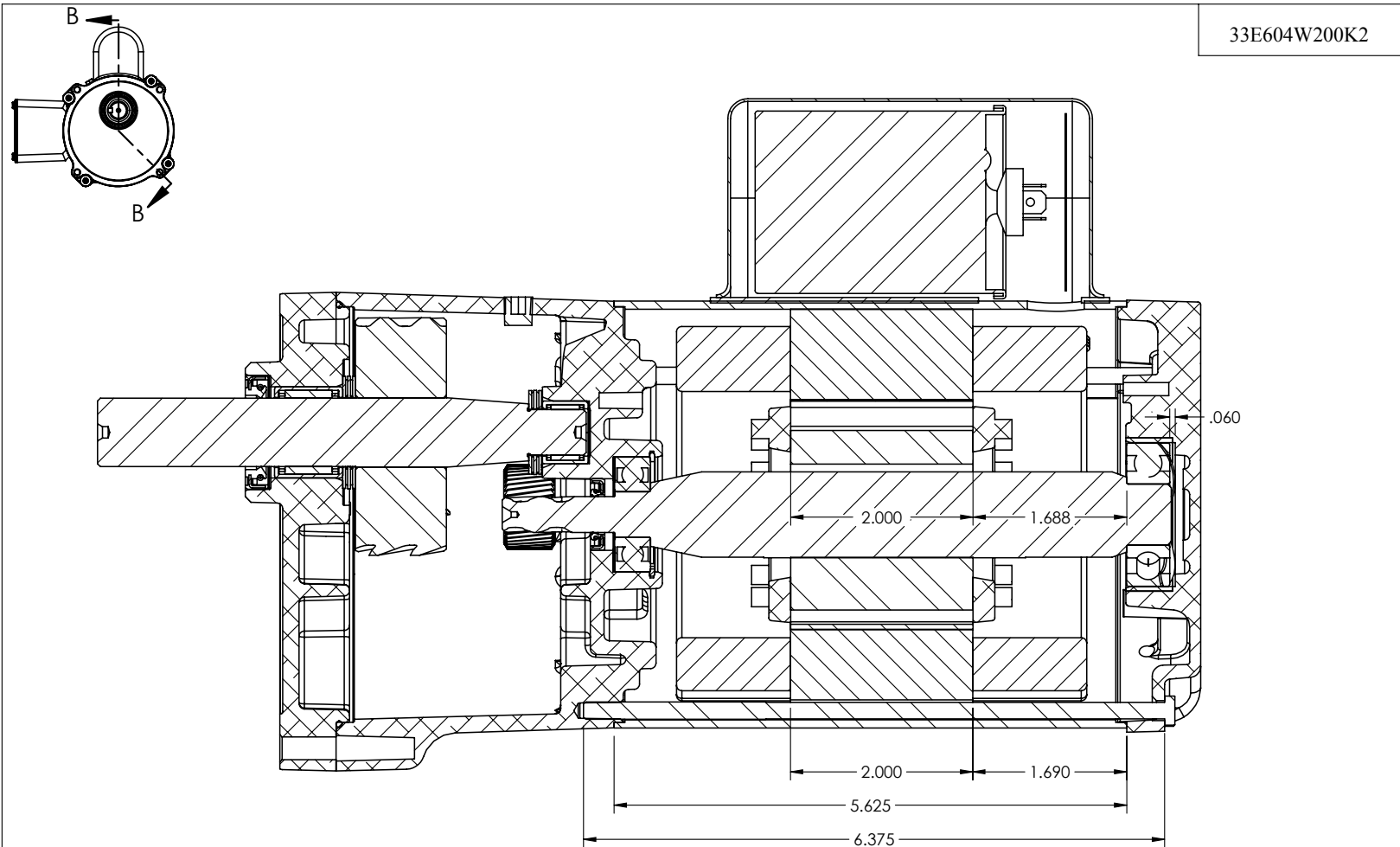
CUSTOMER IS RESPONSIBLE FOR DETERMINING THAT BALDOR'S PRODUCT WILL PERFORM SUITABLY IN THE INTENDED APPLICATION

REV. DESC: LOAD TO SOLID WORKS			
REV: F	VERSION: 06	REVISED: 01:58:09 11/07/2016	TDR: 000001002359
33E604W200K2	MODEL NO. 33E604W200K2	REF:	
	BY: CKPHIW0		

**BALDOR**

LY,33AC PSLH RSB TENV .75 X 2.00 EXTENSION

33E604W200K2



SECTION B-B

CUSTOMER IS RESPONSIBLE FOR DETERMINING THAT BALDOR'S PRODUCT WILL PERFORM SUITABLY IN THE INTENDED APPLICATION

REV. DESC: LOAD TO SOLID WORKS			
REV: F	VERSION: 06	REVISED: 01:58:09 11/07/2016	TDR: 000001002359
33E604W200K2	MODEL NO. 33E604W200K2	REF:	
	BY: CKPHIW0		

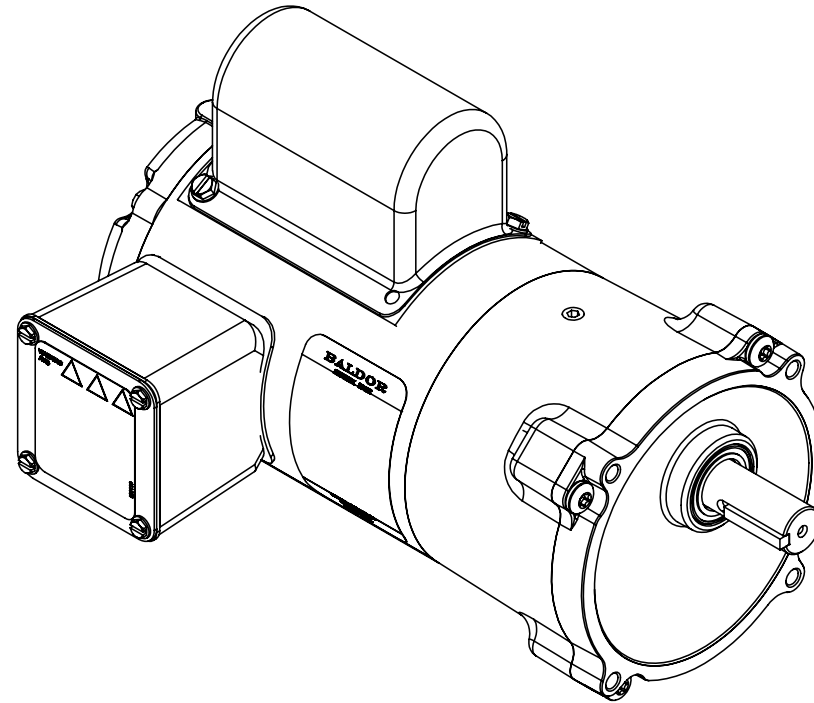
**BALDOR**

LY,33AC PSLH RSB TENV .75 X 2.00 EXTENSION

33E604W200K2

ITEM NO.	PART NUMBER	QTY.
1	HG0076A01	1
2	BMH1714	2
3	BH1165A02	1
4	HW5002A95	1
5	HW3064E05	1
6	HW4600G58	1
7	BH1163A02	1
8	HA4021A05	1
9	33SH2668R01	1
10	33RC4116-00	1
11	BG6203C03	1
12	33SA9200R155	1
13	35GS3003A01	1
14	33CB4800A01	1
15	OC3020F12	1
16	NS2501A01	1
17	51XB1016A05	2
18	NS2512A01	1
19	34GS1029A01	1
20	34CB3002A16	1
21	51XB1016A07	2
22	11XW1032G06	1
23	34GS1031A01	1
24	34CB4517	1
25	51XW0832A07	4
26	33EP3100A04	1
27	HW5109A05	1
28	HA3100A39	2
29	BGS01220	1
30	BGS01221	1
31	CG0012A01	1
32	RM1020A22	1
33	BH1163A03	1
34	HW4600G71	1
35	60XM2520A12	4
36	BMH1910	1
37	NP1220A07	1
38	LB1119	1
39	LC0899A57	1

33E604W200K2



CUSTOMER IS RESPONSIBLE FOR DETERMINING THAT BALDOR'S PRODUCT WILL PERFORM SUITABLY IN THE INTENDED APPLICATION

REV. DESC: LOAD TO SOLID WORKS			
REV: F	VERSION: 06	REVISED: 01:58:09 11/07/2016	TDR: 000001002359
33E604W200K2		MODEL NO. 33E604W200K2	REF:
		BY: CKPHIW0	

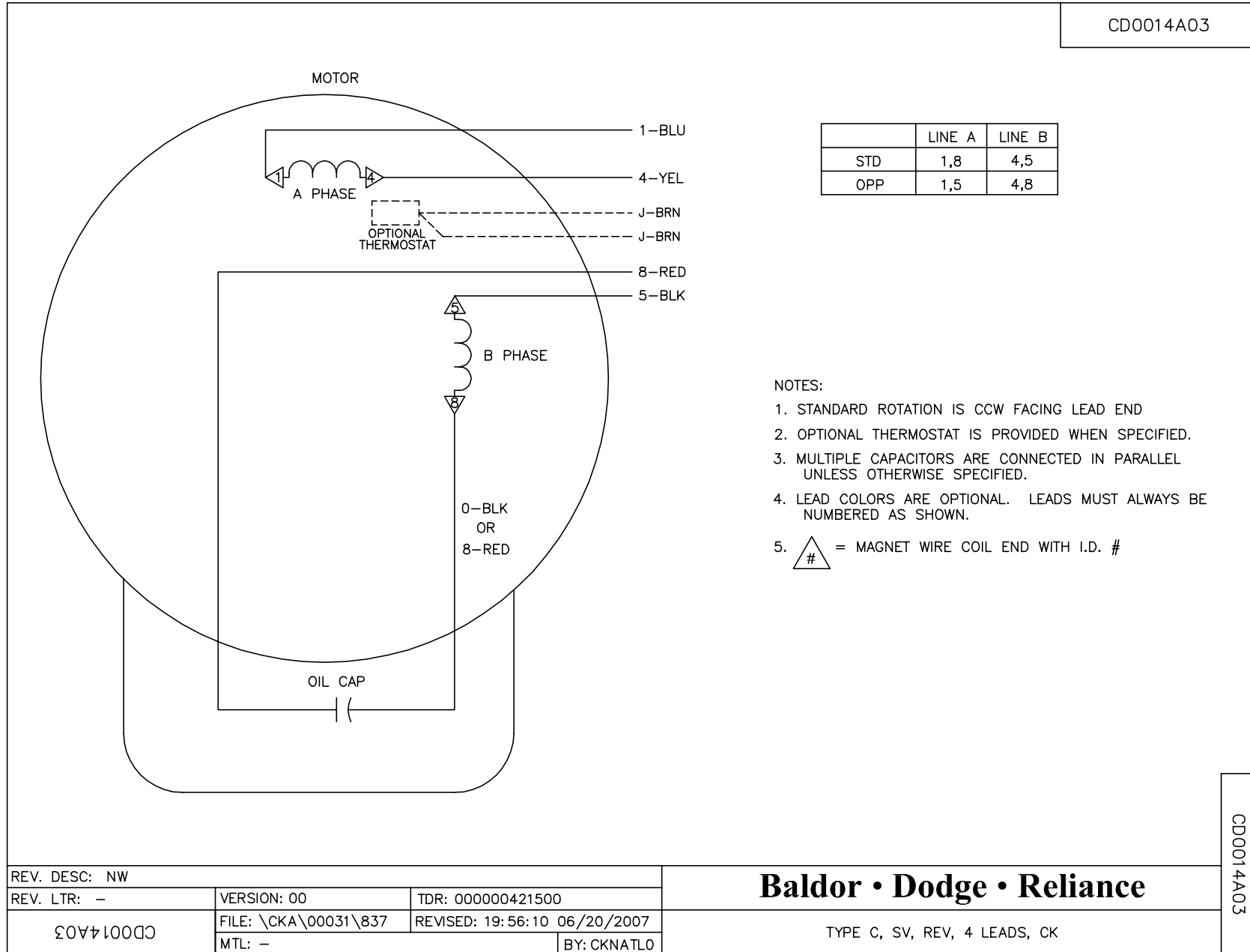
**BALDOR**

LY,33AC PSLH RSB TENV .75 X 2.00 EXTENSION

33E604W200K2



CD0014A03



CD0014A03

REV. DESC: NW	VERSION: 00	TDR: 000000421500
REV. LTR: -	FILE: \CKA\00031\837	REVISED: 19:56:10 06/20/2007
CD0014A03	MTL: -	BY: CKNATLO

**Baldor • Dodge • Reliance**

TYPE C, SV, REV, 4 LEADS, CK