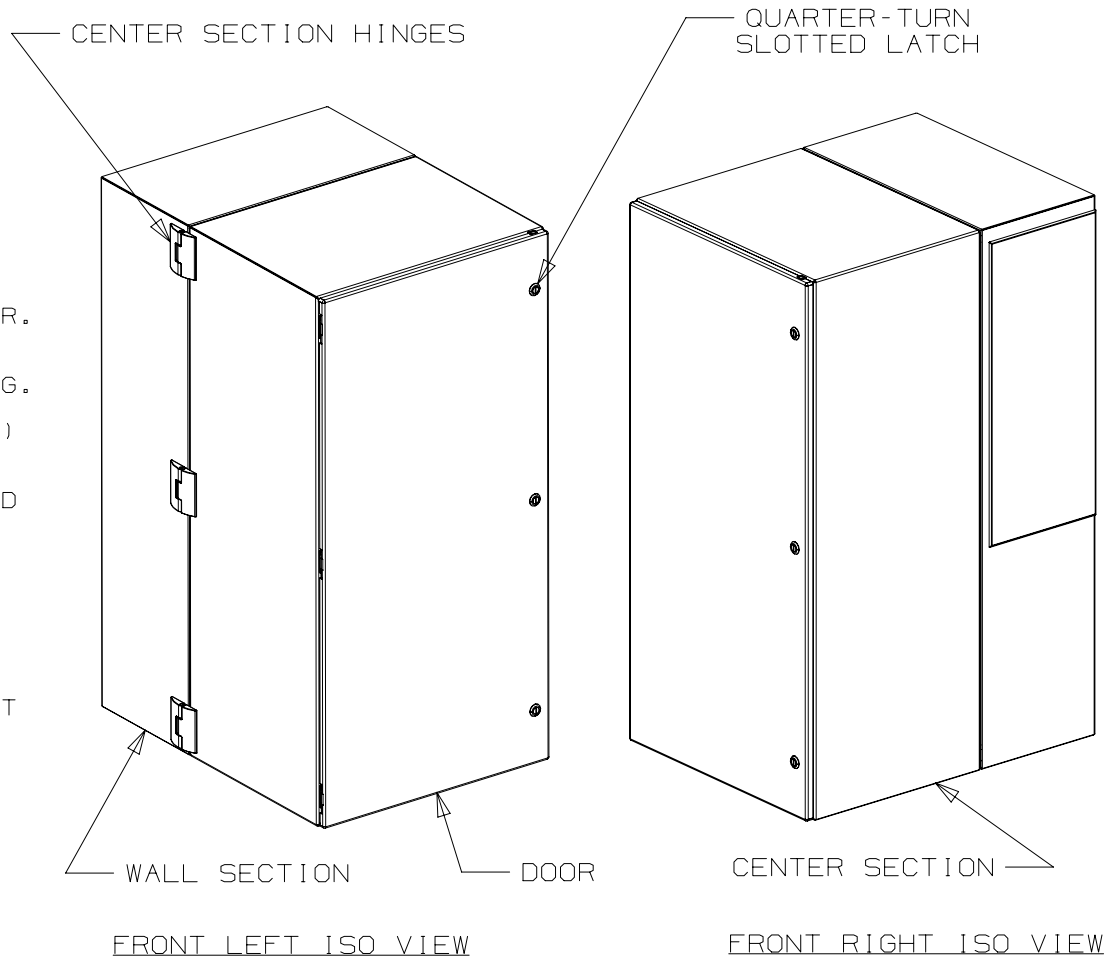


THIS COPY IS PROVIDED ON A RESTRICTED BASIS AND IS NOT TO BE USED IN ANY WAY DETRIMENTAL TO THE INTERESTS OF PANDUIT CORP.

**NOTES:**

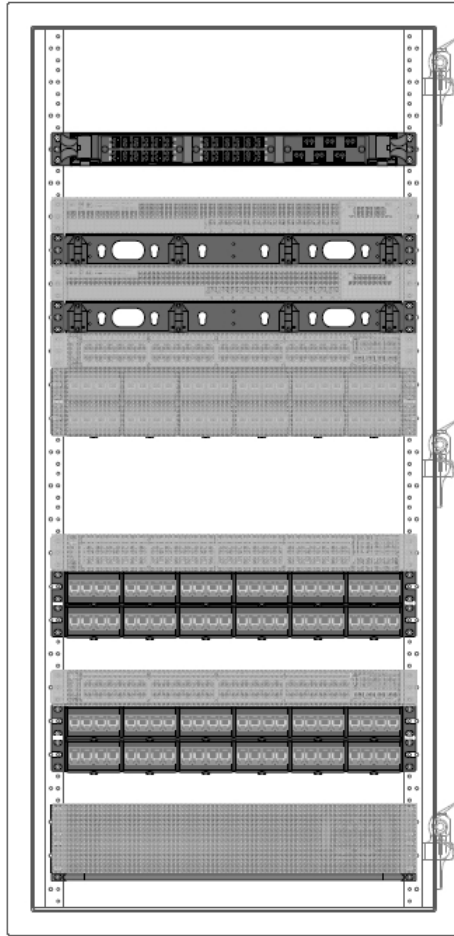
1. VISIT OUR ON-LINE CATALOG AT [WWW.PANDUIT.COM](http://WWW.PANDUIT.COM) FOR A LIST OF CURRENT PARTS APPLICABLE FOR USE WITH THIS PRODUCT AND INSTRUCTION SHEET (V00028CA).
2. DIMENSIONS IN PARENTHESES ARE METRIC [ mm ].
3. CAN BE USED WITH ANY 19" CEA STANDARD PANEL.
4. PARTS SUPPLIED:
  - 26RU DUAL HINGE NEMA 4/4X/12 ENCLOSURE
  - QUARTER-TURN SLOTTED LATCHES ARE INCLUDED PROVIDING ACCESS CONTROL TO THE ENCLOSURE.
  - ACCOMODATIONS FOR AN OPTIONAL AIR CONDITIONER.
  - 316L STAINLESS STEEL W/ #4 STAINLESS FINISH
  - INSTALLED FRONT AND REAR CAGE NUT RAILS IN OPTIMIZED POSITIONS FOR EQUIPMENT MOUNTING.
  - INSTALLED POWER RECEPTACLE ON ZDF48-6RA ONLY
  - INSTALLED FIBER ENCLOSURE (72 FIBER CAPACITY)
  - INSTALLED (2)48-PORT PATCH PANELS
  - INSTALLED CABLE MANAGEMENT
  - INSTALLED DOOR GROUND WHIPS, EQUIPMENT GROUND WHIPS (ONE END)
  - INSTALLED GROUND BAR
  - INFRASTRUCTURE GROUND CABLE
  - POWER CORDS, LABELED AND LENGTH OPTIMIZED ON ZDF48-6RA ONLY
  - 10" LONG DIN RAIL MOUNTING PROVISION
  - CABLE/FIBER/POWER PENETRATION RECOMMENDATION TEMPLATE
  - INSTRUCTIONS FOR CABLE ROUTING AND MANAGEMENT
5. CENTER HINGED SECTION  
MAXIMUM LOAD RATING: 350 LBS [ 158.8 kg ].



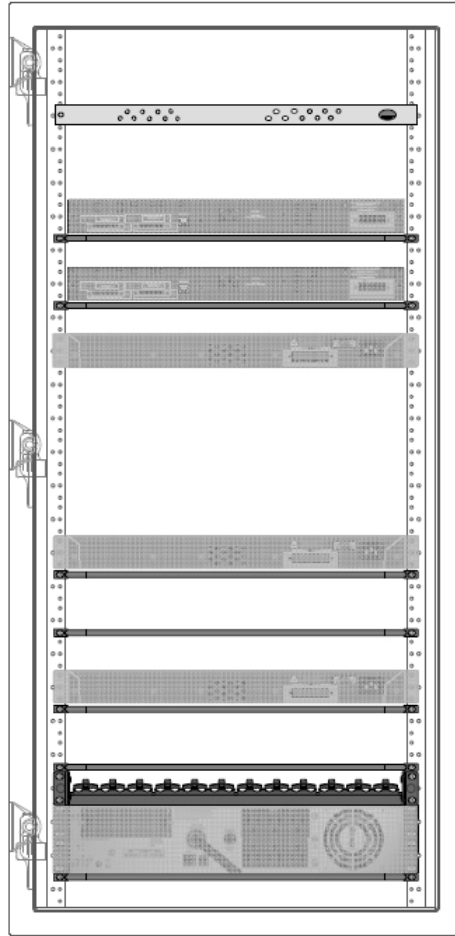
SHIPPING LENGTH	57"
SHIPPING WIDTH	39"
SHIPPING HEIGHT	35-1/4"
SHIPPING WEIGHT	270 lbs. 122.5 kg.
ENCLOSURE WEIGHT	218 lbs. 98.9 kg.

TITLE		<b>ZDF48-6EA AND ZDF48-6RA PRECONFIGURED 48" INDUSTRIAL DISTRIBUTION FRAME</b>	
		CUSTOMER DRAWING	
ITEM REVISION NAME		13V397SA/00	
DATASET FILE NAME		13V397SA_DC-00A	
UNLESS OTHERWISE SPECIFIED, DIMENSIONAL TOLERANCES ARE: IN [ mm ]		<b>PANDUIT</b>	
.x ± .1 [ 2.54 ]      .xxx ± .015 [ 0.38 ]			
.xx ± .03 [ 0.76 ]      ANGLES ± 5 °			
		THIRD ANGLE PROJECTION	
DRAWN BY		MATERIAL:	
ALZA		SEE NOTES	
DATE		DRAWING NUMBER:	
07/14/2016		13V397SA_DC/00A	
CHK		SHT 1 OF 4	
NWW		A	
SCALE			
NONE			
SIZE			

00A	07/14/2016	ALZA	NWW	MBVE	RELEASED	13V397SA
REV	DATE	BY	CHK	APR	DESCRIPTION	ECN

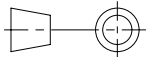


Front View



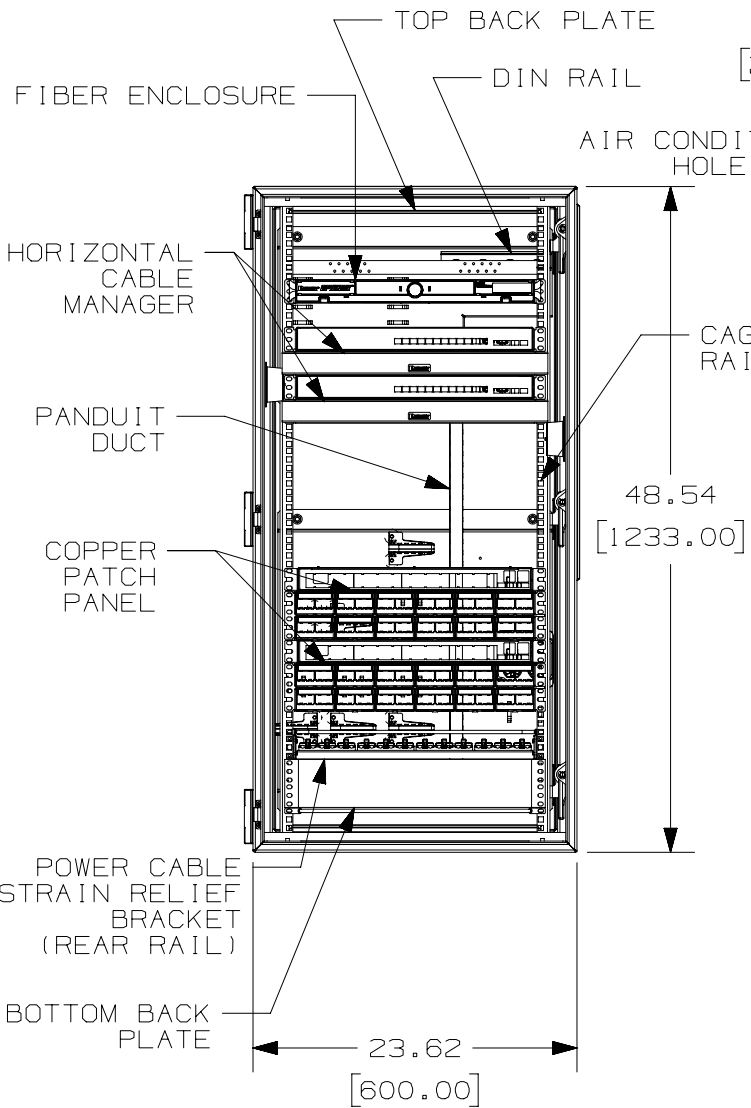
Back View

- RU 24 PANDUIT RGRG19CN GROUND BAR
- RU 23 PANDUIT FRME1U FIBER ENCLOSURE
- RU 22 OPEN (ADDITIONAL FRME1U IF REQUIRED)
- RU 21 CUSTOMER SWITCH w/ 12 FIBER LS NICs – “B”
- RU 20 PANDUIT CMPHF1 HORIZONTAL CABLE MANGER
- RU 19 CUSTOMER FIBER w/ 12 FIBER LS NICs– “A”
- RU 18 PANDUIT CMPHF1 HORIZONTAL CABLE MANGER
- RU 17 OPTIONAL CUSTOMER SWITCH – “C”
- RU 15-16 OPTIONAL PANDUIT CPP48WBLY 48 PORT COPPER PATCH PANEL
- RU 12-14 OPEN
- RU 11 CUSTOMER SWITCH – “B”
- RU 9-10 PANDUIT CPP48WBLY 48 PORT COPPER PATCH PANEL
- RU 8 OPEN
- RU 7 CUSTOMER SWITCH – “A”
- RU 5-6 PANDUIT CPP48WBLY 48 PORT COPPER PATCH PANEL
- RU 4 PANDUIT SRBBRWC STRAIN RELIEF BAR
- RU 2-3 CUSTOMER UPS
- RU 1 OPEN

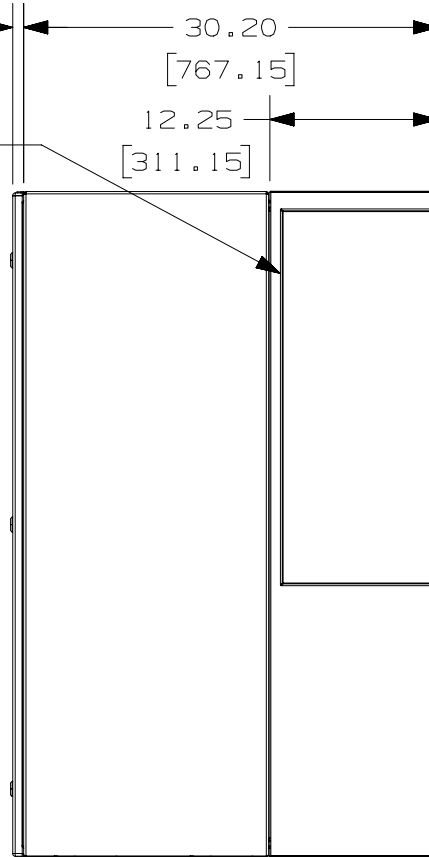
TITLE		ZDF48-6EA AND ZDF48-6RA PRECONFIGURED 48” INDUSTRIAL DISTRIBUTION FRAME CUSTOMER DRAWING	
ITEM REVISION NAME		13V397SA/00	
DATASET FILE NAME		13V397SA_DC-00A	
UNLESS OTHERWISE SPECIFIED, DIMENSIONAL TOLERANCES ARE: IN ( mm )		<b>PANDUIT</b>  SEE SHEET 1 NOTES	
.x ± .1 [ 2.54 ]      .xxx ± .015 [ 0.38 ] .xx ± .03 [ 0.76 ]      ANGLES ± 5 °			
		DRAWING NUMBER: 13V397SA_DC/00A	
DRAWN BY	DATE	CHK	SCALE
ALZA	07/14/2016	NWW	NONE
REV		SHT 2 OF 4	
DATE		SIZE	
07/14/2016		A	

00A	07/14/2016	ALZA	NWW	MBVE	SEE SHEET 1 FOR REVISIONS	13V397SA
REV	DATE	BY	CHK	APR	DESCRIPTION	ECN

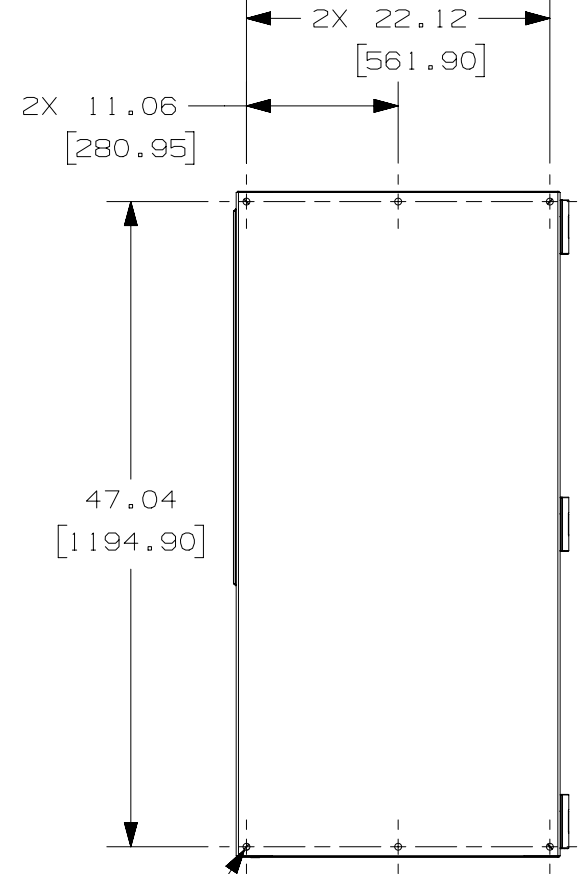
THIS COPY IS PROVIDED ON A RESTRICTED BASIS AND IS NOT TO BE USED IN ANY WAY DETRIMENTAL TO THE INTERESTS OF PANDUIT CORP.



FRONT VIEW  
DOOR HIDDEN TO SHOW  
INSIDE DETAILS



SIDE VIEW



BACK VIEW

MOUNTING HOLES

TITLE  
**ZDF48-6EA AND ZDF48-6RA**  
**PRECONFIGURED 48" INDUSTRIAL DISTRIBUTION FRAME**  
CUSTOMER DRAWING

ITEM REVISION NAME  
**13V397SA/00**

DATASET FILE NAME  
**13V397SA\_DC-00A**



UNLESS OTHERWISE SPECIFIED,  
DIMENSIONAL TOLERANCES ARE: IN (mm)

.x ± .1 [2.54]      .xxx ± .015 [0.38]  
.xx ± .03 [0.76]      ANGLES ± 5°

MATERIAL:  
**SEE SHEET 1 NOTES**

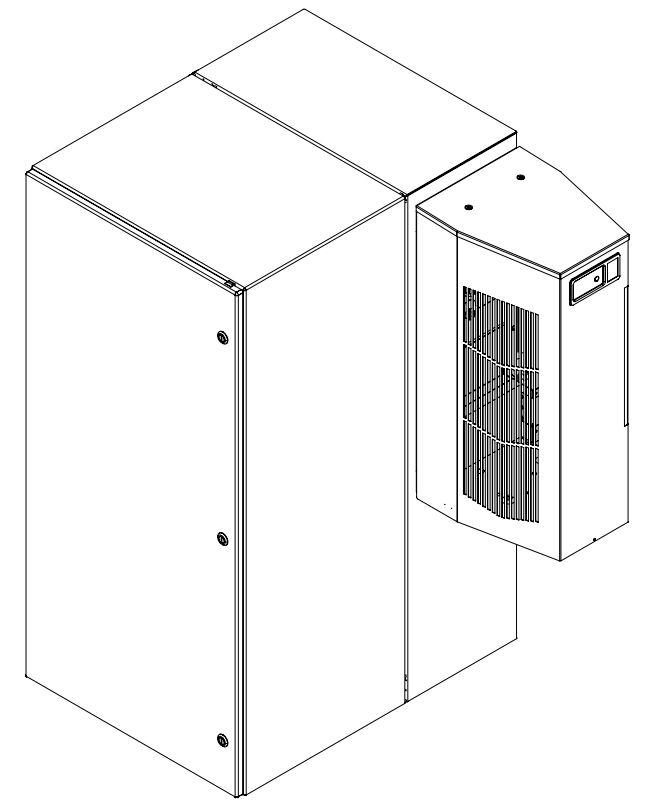
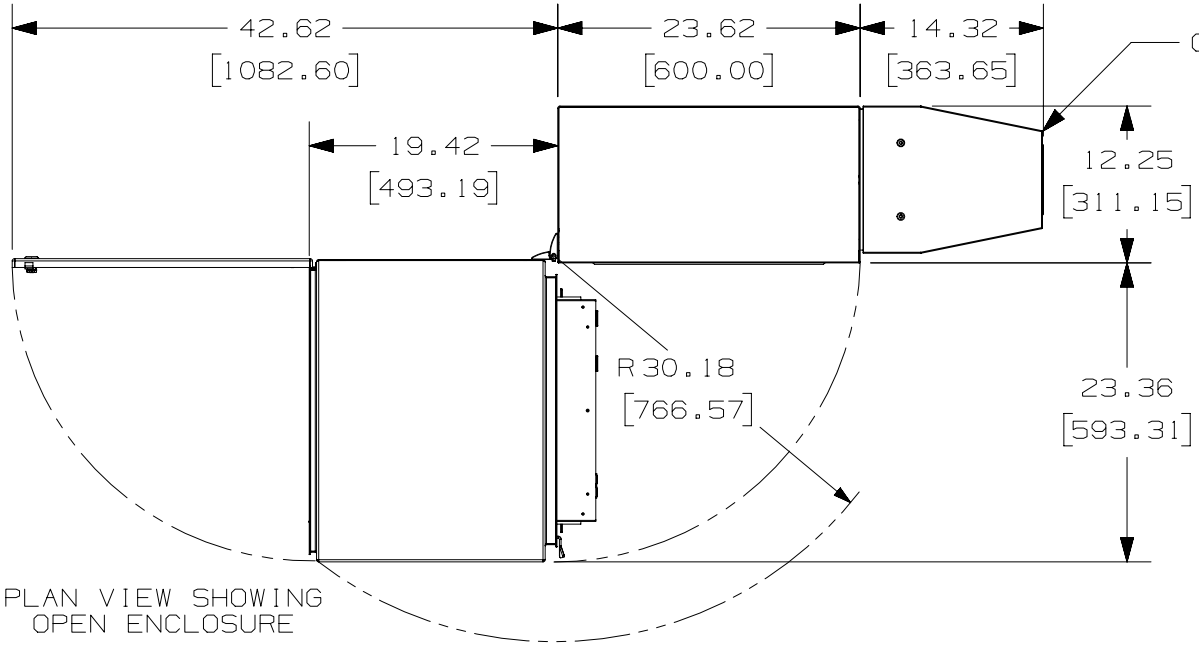


DRAWING NUMBER:  
**13V397SA\_DC/00A**

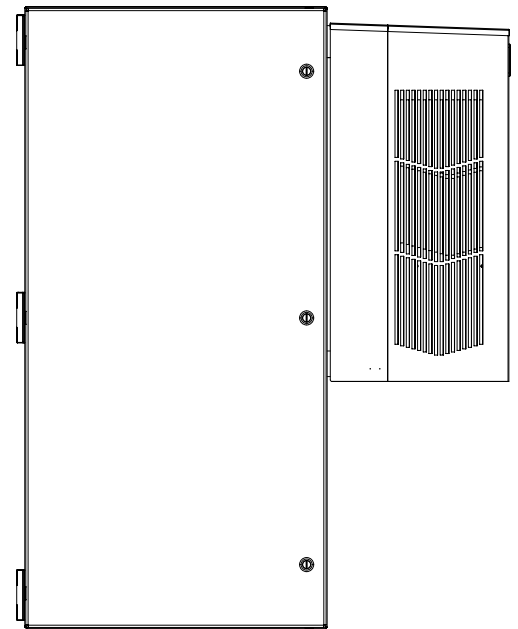
00A	07/14/2016	ALZA	NWW	MBVE	SEE SHEET 1 FOR REVISIONS	13V397SA
REV	DATE	BY	CHK	APR	DESCRIPTION	ECN

DRAWN BY	DATE	CHK	SCALE	SIZE
ALZA	07/14/2016	NWW	NONE	SHT 3 OF 4

THIS COPY IS PROVIDED ON A RESTRICTED BASIS AND IS NOT TO BE USED IN ANY WAY DETRIMENTAL TO THE INTERESTS OF PANDUIT CORP.



ISOMETRIC VIEW SHOWING OPTIONAL AIR CONDITIONER



TITLE <b>ZDF48-6EA AND ZDF48-6RA</b> <b>PRECONFIGURED 48" INDUSTRIAL DISTRIBUTION FRAME</b> CUSTOMER DRAWING									
ITEM REVISION NAME 13V397SA/00									
DATASET FILE NAME 13V397SA_DC-00A									
UNLESS OTHERWISE SPECIFIED, DIMENSIONAL TOLERANCES ARE: IN (mm)					MATERIAL: SEE SHEET 1 NOTES				
.x ± .1 [2.54]		.xxx ± .015 [0.38]		DRAWING NUMBER: 13V397SA_DC/00A					
.xx ± .03 [0.76]		ANGLES ± 5°							
		THIRD ANGLE PROJECTION			SCALE NONE				
DRAWN BY ALZA	DATE 07/18/2016	CHK NWW	SCALE NONE		SHT 4 OF 4			SIZE A	

00A	07/14/2016	ALZA	NWW	MBVE	SEE SHEET 1 FOR REVISIONS	13V397SA
REV	DATE	BY	CHK	APR	DESCRIPTION	ECN