

A Pentair Company

## Networking Cabinet

*Additional accessories available; see complete list in the DataCom Networking Cabinets and Racks Catalog.*

**Hoffman Enclosures Inc.**  
2100 Hoffman Way  
Anoka, MN 55303-1745  
(763) 422-2211 Tel  
www.hoffmanonline.com

**Pentair Electronic Packaging**  
170 Commerce Drive  
Warwick, RI 02886  
(401) 732-3770  
www.pentair-ep.com

**Canada**  
Hoffman-Schroff  
111 Grangeway Avenue, Suite 504  
Scarborough, Ontario M1H 3E9  
(416) 289-2770 Fax (416) 289-2883  
1-800-668-2500 (Canada only)

**Germany**  
Schroff GmbH  
Langenhalber Str. 96-100  
75334 Straubenhardt  
49 (07082) 794-0 Fax 49 (07082) 794-200  
www.schroff.de

**Great Britain**  
Schroff UK Ltd.  
Maylands Avenue  
Hemel Hempstead, Herts HP2 7DE  
44 (01442) 240471 Fax 44 (01442) 213508  
www.schroff.co.uk

**Sweden**  
Schroff Scandinavia AB  
Box 2003  
12821 Skarpnäck  
46 08683 61 00 Fax 46 08683 61 99  
www.schroff.se

**France**  
Schroff Sas  
Z.I., 4 rue du Marais  
67660 Betschdorf  
33 03 88 90 64 90 Fax 33 03 88 90 64 88  
www.schroff.fr

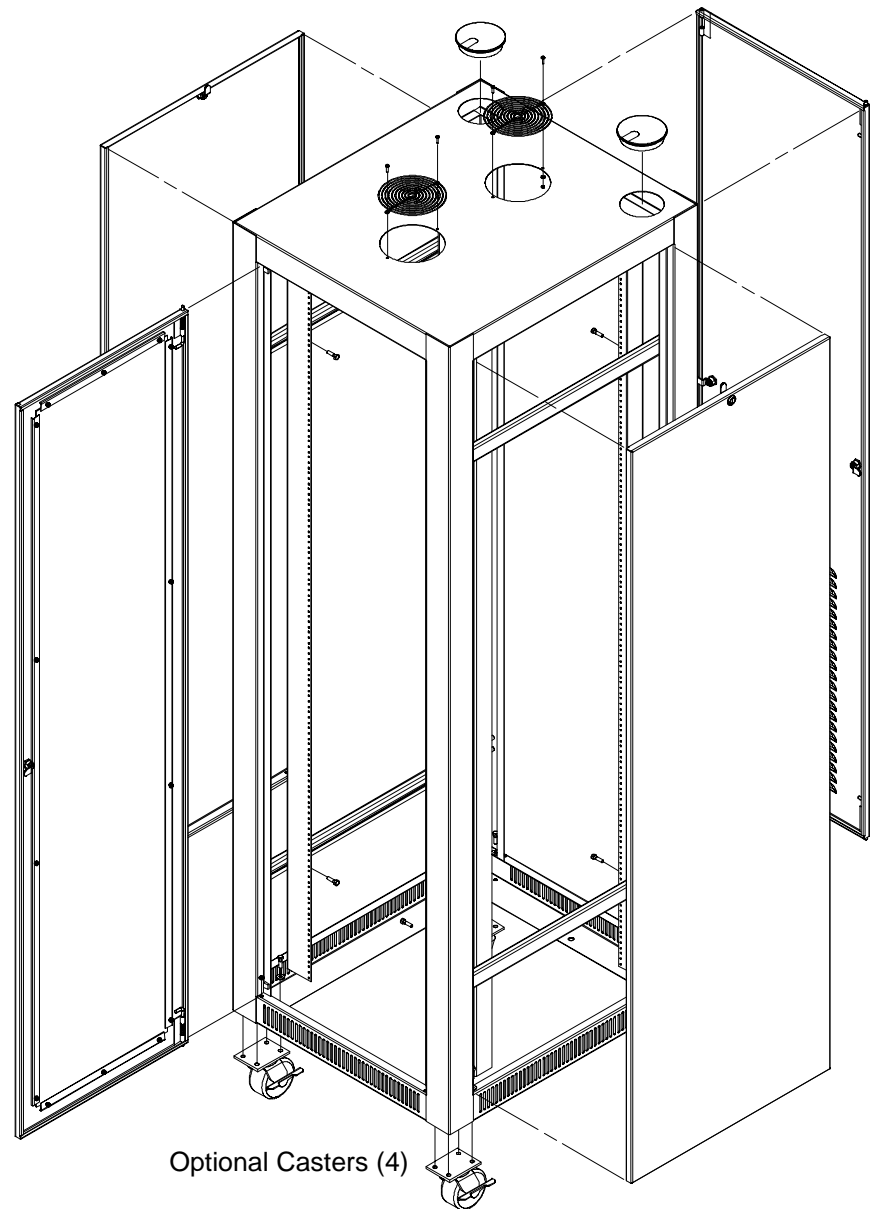
**Italy**  
Schroff srl  
Viale Milano, 119  
21013 Gallarate (Varese)  
39 0331 79 40 03 Fax 39 0331 79 34 50

**Singapore**  
Hoffman-Schroff Pte. Ltd.  
#01-68/71 German Centre  
25 International Business Park  
Singapore 609916  
65 5 62-78 90 Fax 65 5 62-78 99

**Japan**  
Schroff K.K.  
Nisso No. 13 Bldg. 4F  
2-5-1 Shinyokohama  
Kohoku-Ku, Yokohama shi  
Kanagawa 222-0033  
81 (045) 476-02 81 Fax 81 (045) 476-02 89

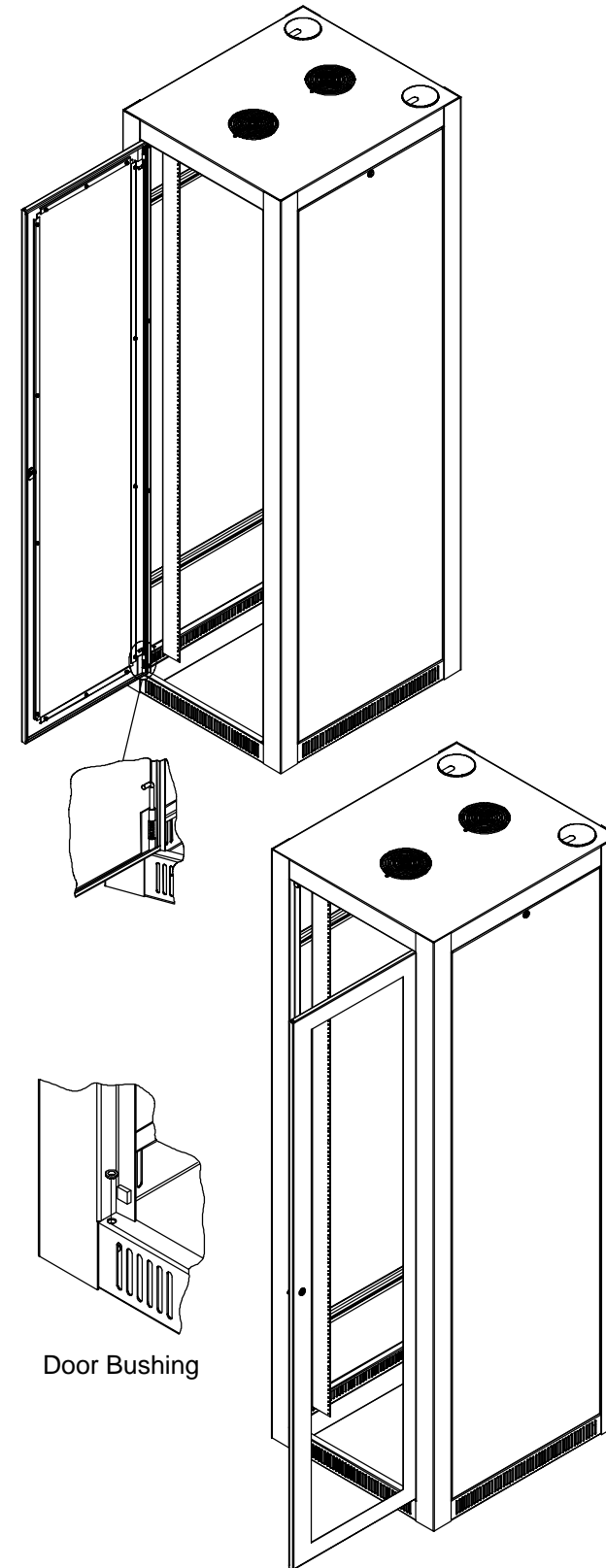
**Finland**  
Schroff Scandinavia AB  
Peräsimentie 8  
03100 Nummela  
358 09 222 68 00 Fax 358 09 222 38 86

**Norway**  
Schroff Scandinavia AB  
Bjoernerudveien 24  
1266 Oslo  
47 022 76 33 60 Fax 47 022 76 33 69



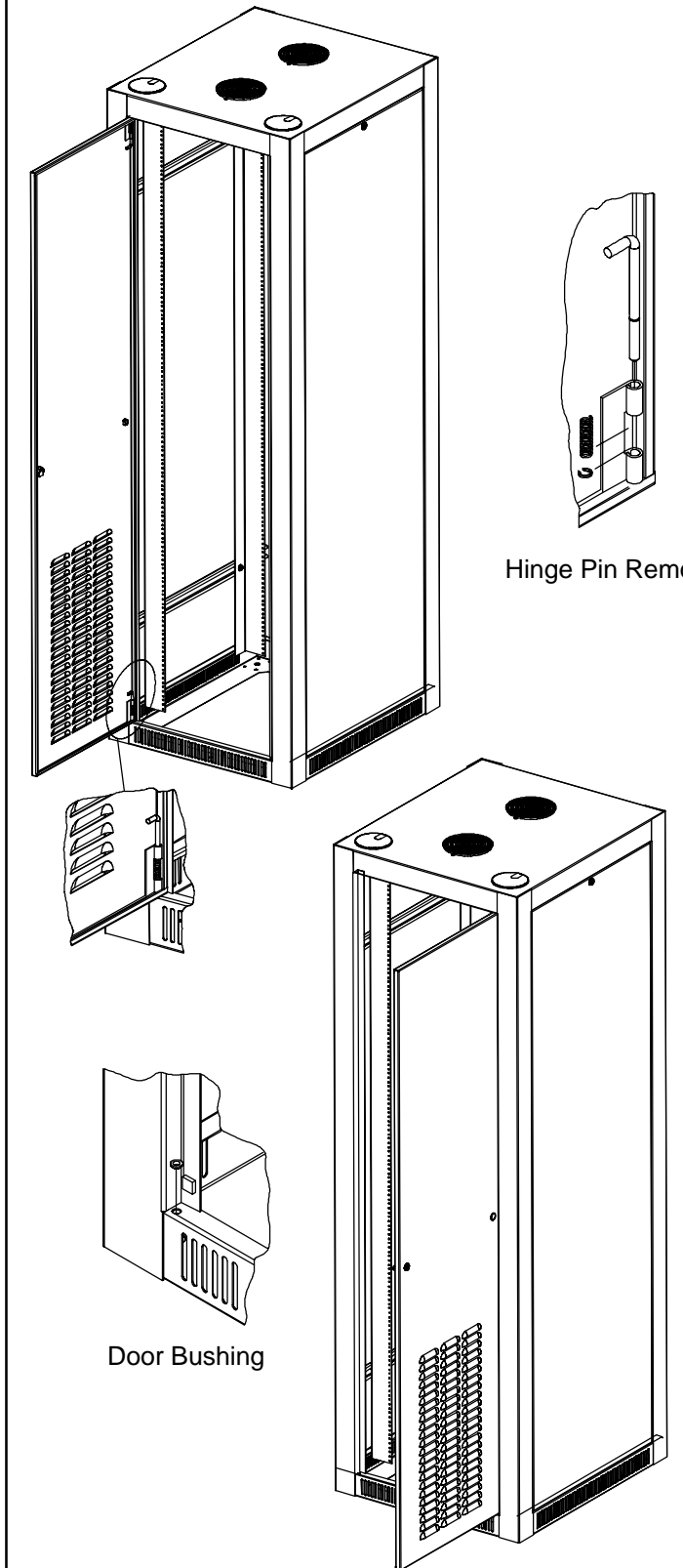
Optional Casters (4)

1. Release door hinge by pulling top hinge pin.
2. Move the two door bushings to the opposite corner holes of the frame.
3. Rotate the door vertically 180 degrees.
4. Reinstall the door by pulling the hinge pins and releasing them into the opposite hinge holes.



Door Bushing

1. Release door hinge by pulling top hinge pins.
2. Move the two door bushings to the opposite corner holes of the frame.
3. Remove hinge pins as shown and move to the opposite door hinges.
4. Reinstall the door by pulling the hinge pins and releasing them into the opposite hinge holes.



Hinge Pin Removal

Door Bushing