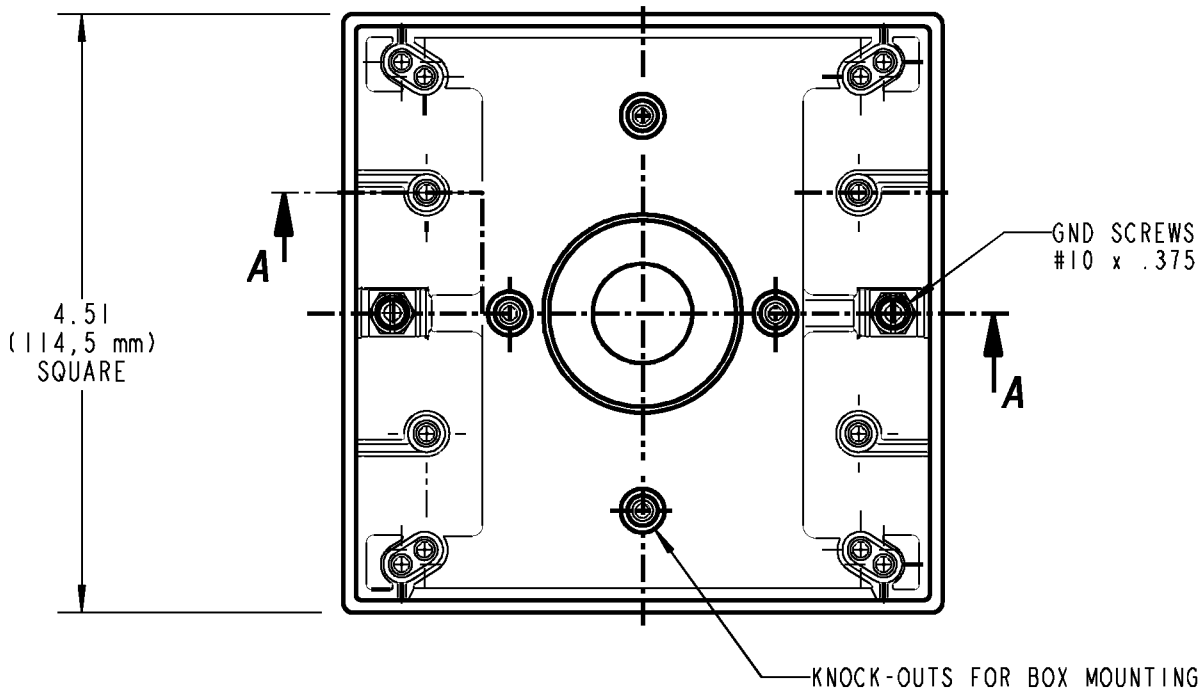


SECTION A-A



NOTES:

- 1.) CONTAINS SEVEN (7) 1" HUBS WITH NPT THREADS AND HAS A NEMA 3R RATING
- 2.) MATERIAL: DIE-CAST POWDER-COATED ALUMINUM ALLOY
- 3.) VOLUME = 36 CU. IN.
- 4.) INCLUDES: (2) CLOSURE PLUGS, (2) MOUNTING LUGS AND (2) #8 x .25" LONG SCREWS

CAT NO: 2IHD7S2-3

GENERAL NOTES		 A Member of the ABB Group				
1. ALL DIMENSIONS ARE FOR REFERENCE ONLY. 2. DIMENSIONS IN BRACKETS [] ARE IN METRIC UNITS.						www.tnb.com
REVISIONS		2-GANG WEATHERPROOF				
*** SEE ERN (****) FOR APPROVAL SIGNATURES & RELEASE DATE. PROJECT NO: ****		DESCRIPTION:	ORIGINAL PROJECT NO / (ERN NO)	SHEET NO:	REV. NO:	DRAWING NO:
			PM400035 / (2015437)	1 OF 1	**	WSD-001270