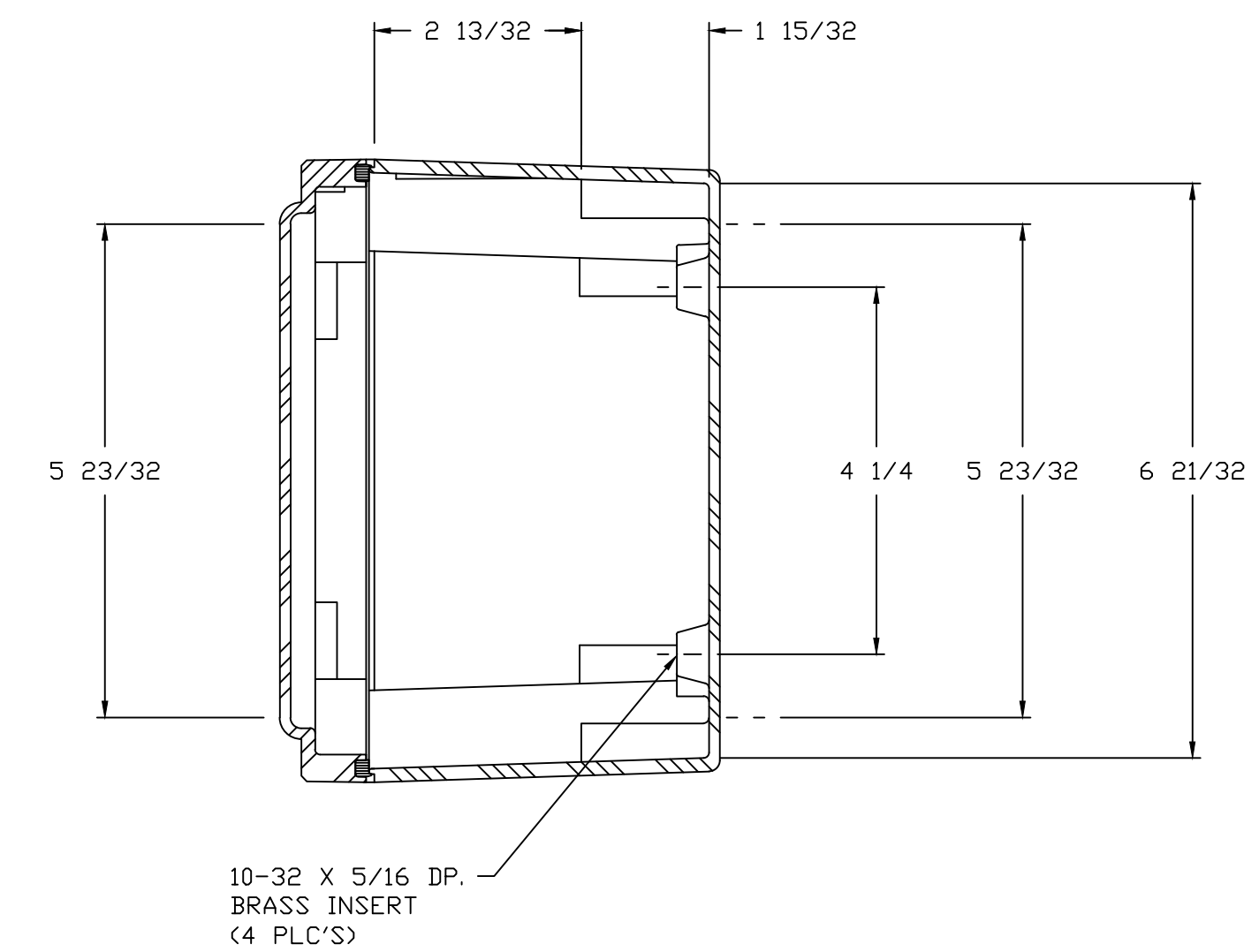
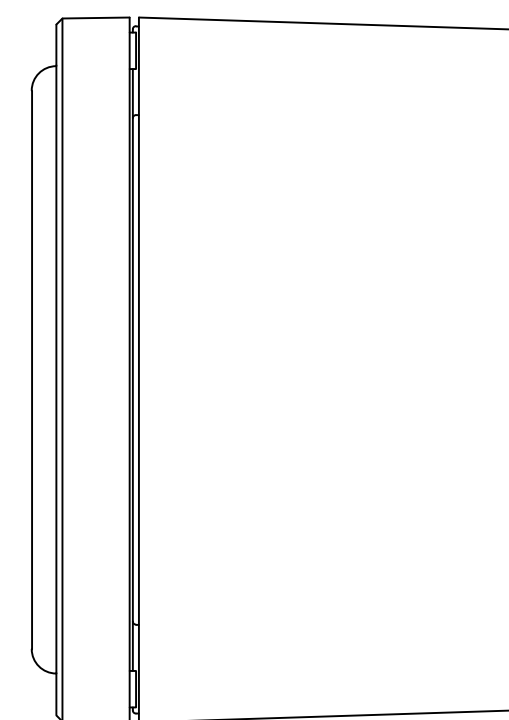
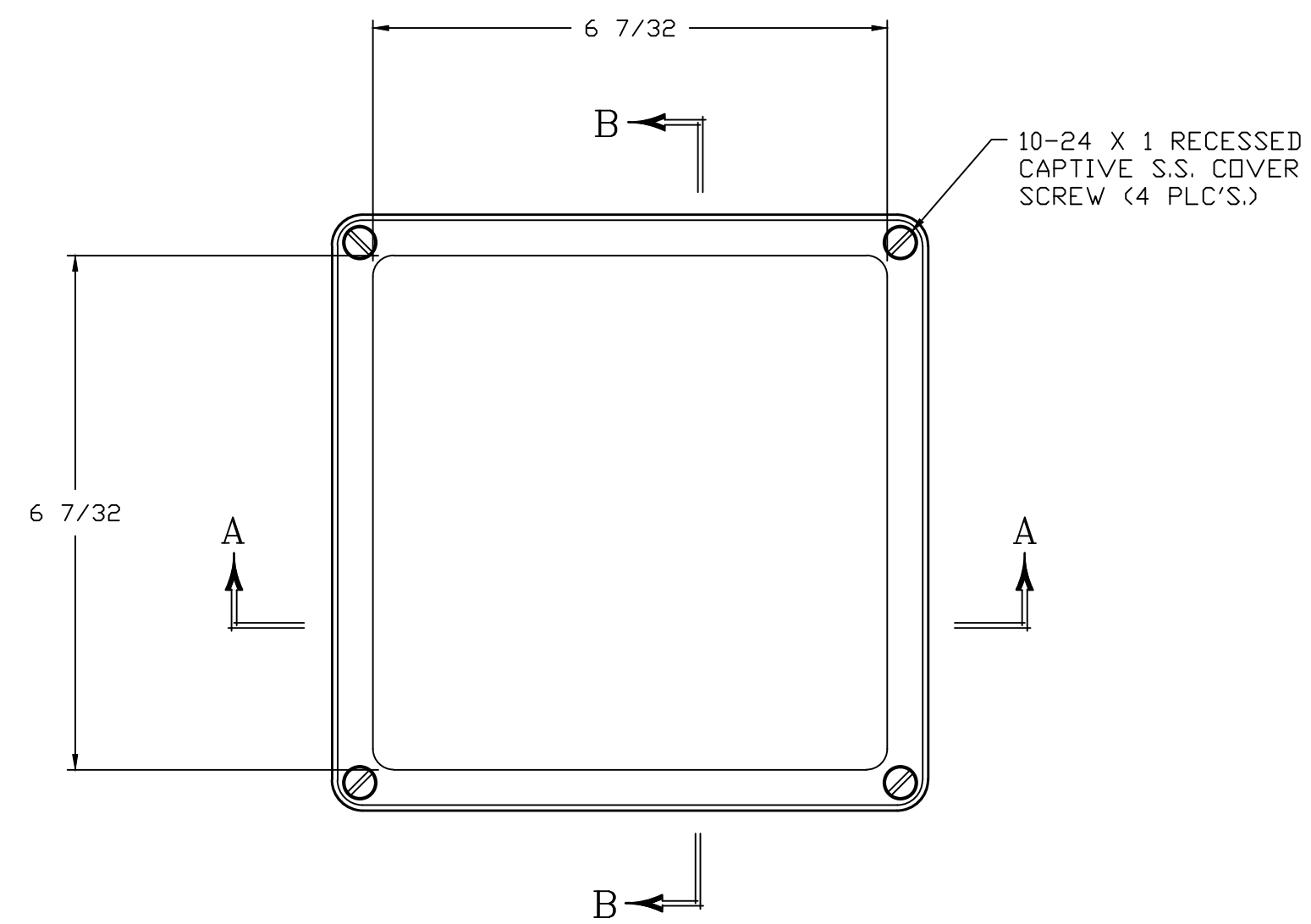
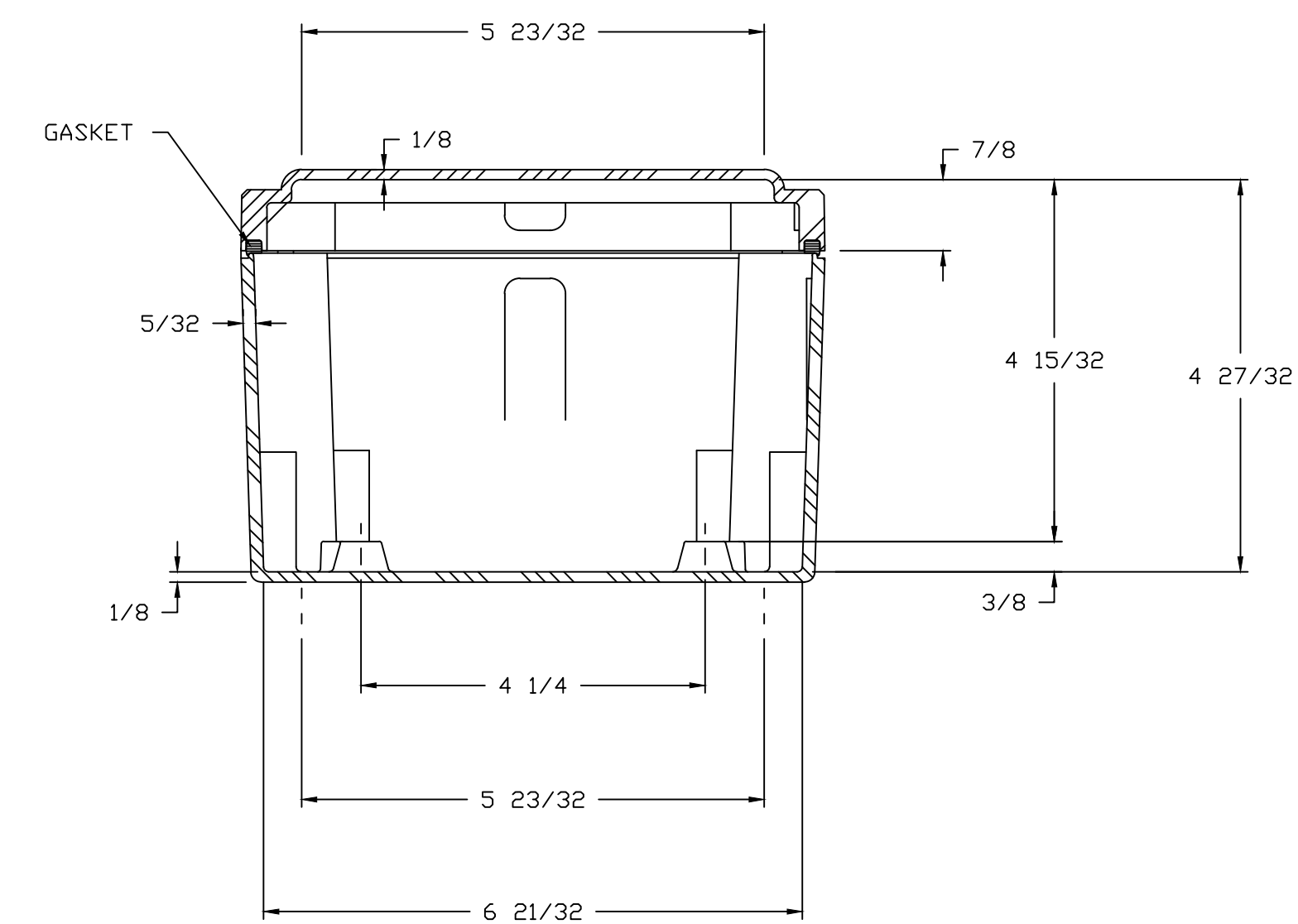
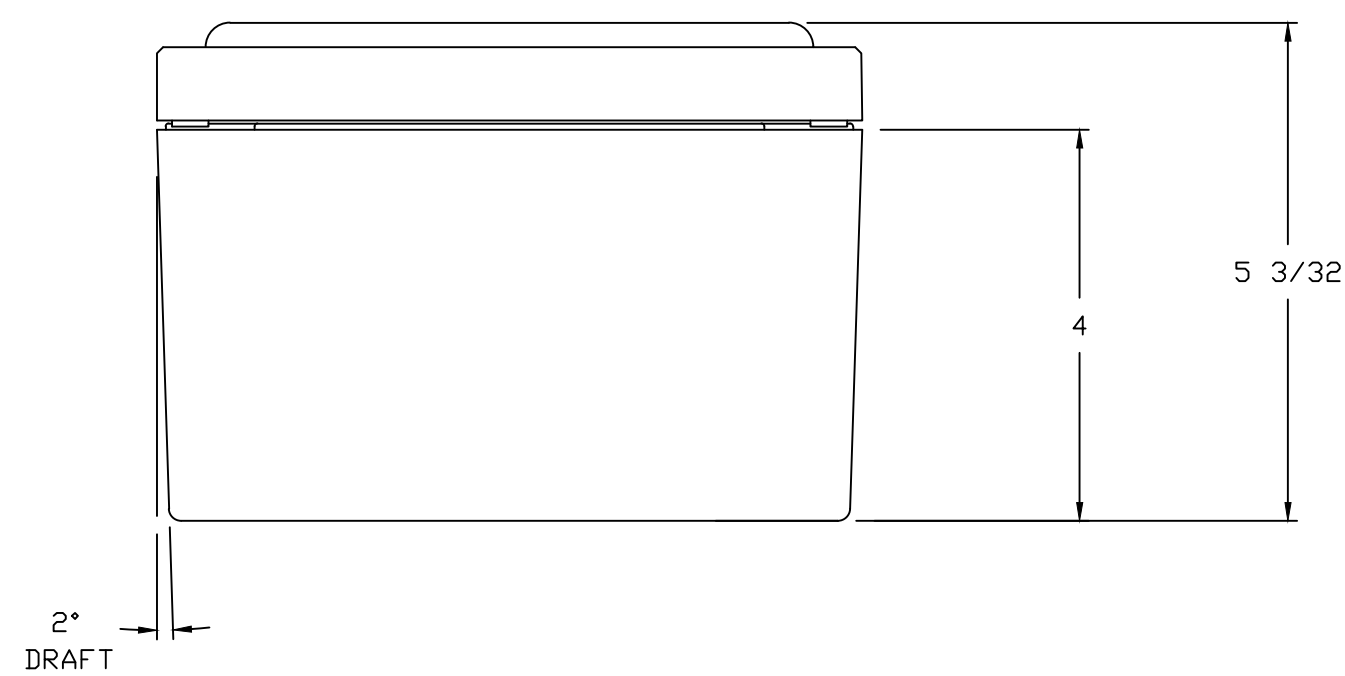



INSIDE VIEW
WITHOUT COVER



SECTION B-B



SECTION A-A

NEMA 4X		TOLERANCES UNLESS SPECIFIED		DECIMAL ± .010	FRACTIONAL ± 1/32
COLOR GLACIER GRAY RR1013					
MATERIAL	FR POLYESTER FIBERGLASS	DR. BY	DATE		
LET.	REVISION RECORD	GF	7/12/96	BELDING, MICHIGAN 48809	
	DATE	CHK. BY	DATE	AutoCAD DWG. FILE	
	BY	APD. BY	DATE	CUSTOMER	
	CHD.			CL707W	
		SCALE	PART NAME	PART NO.	
		DO NOT SCALE	ENCLOSURE	CL707W	