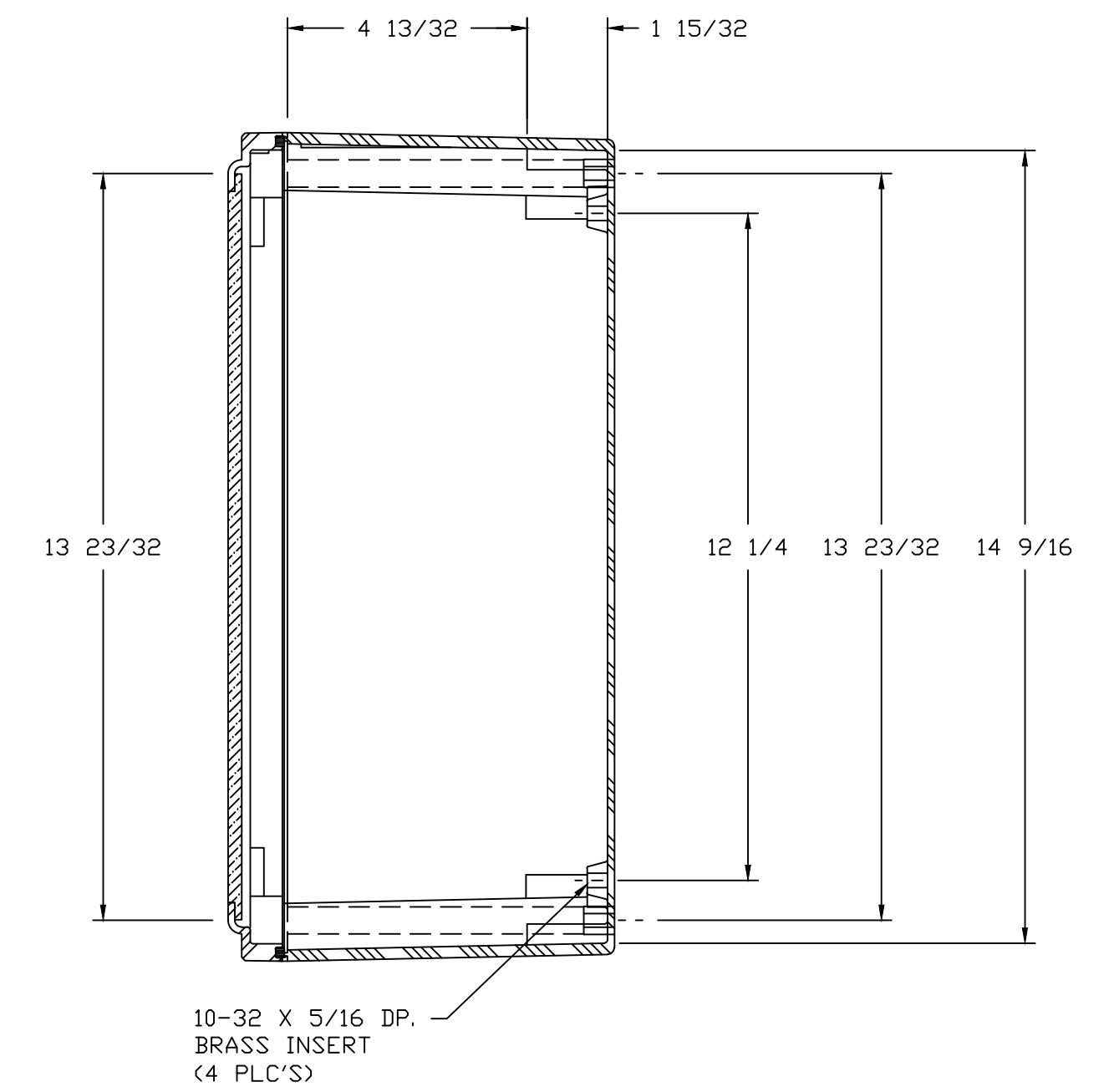
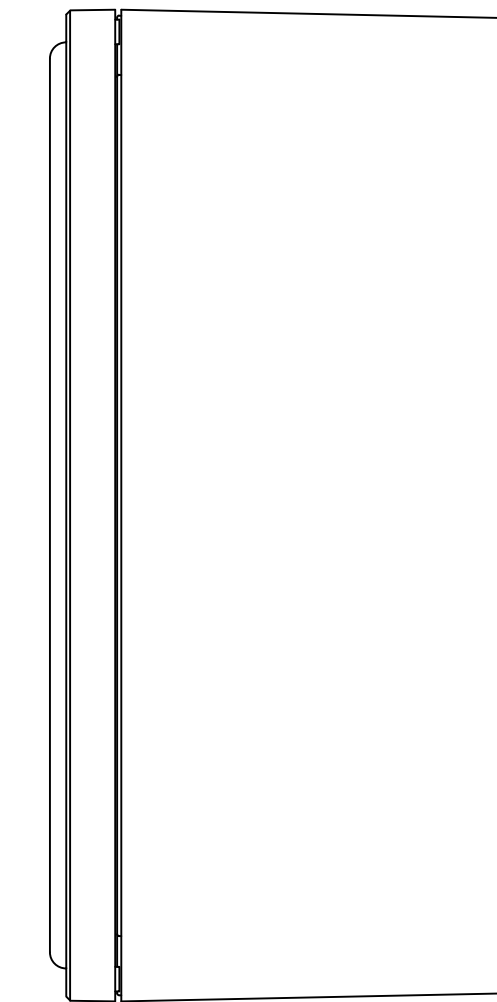
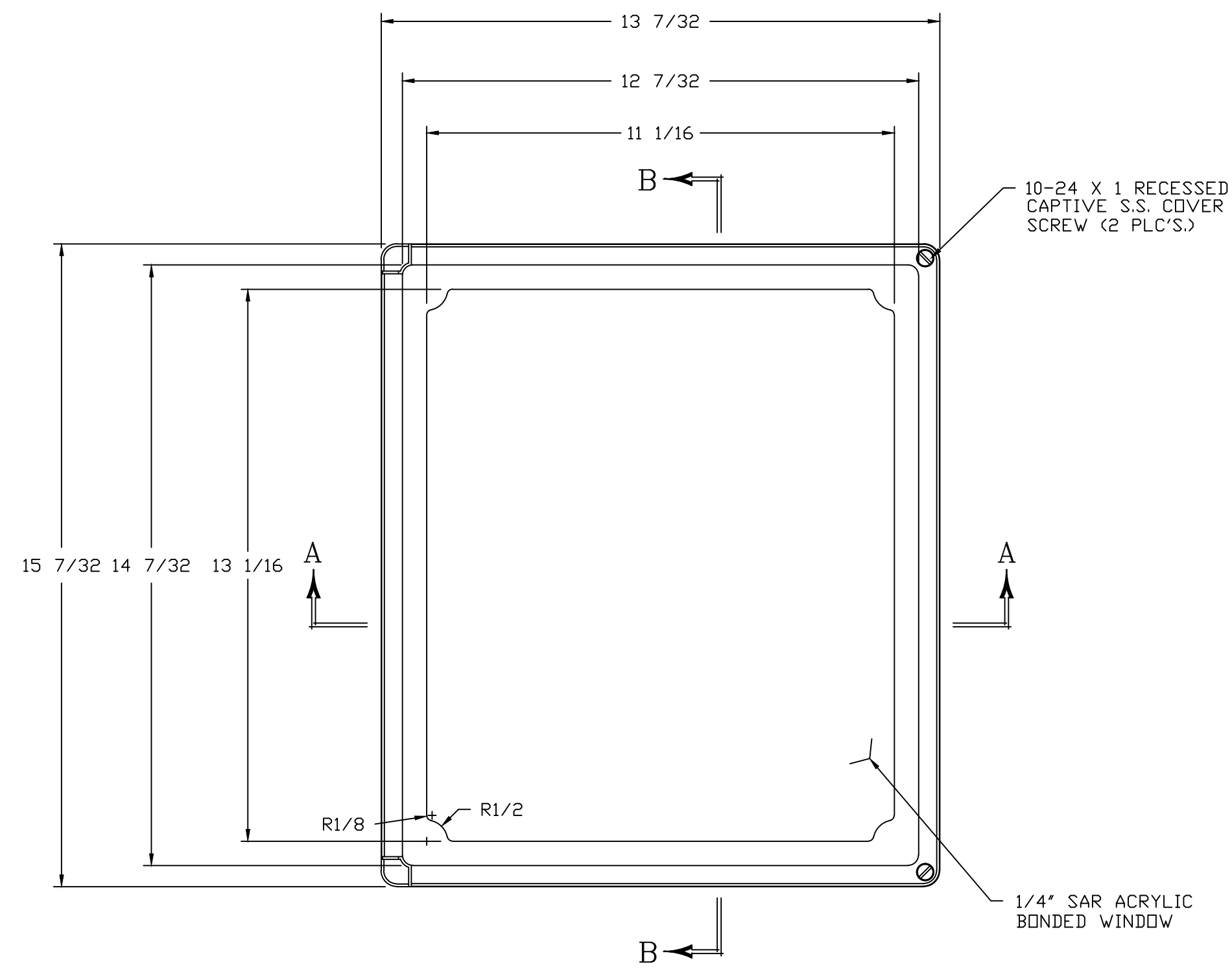
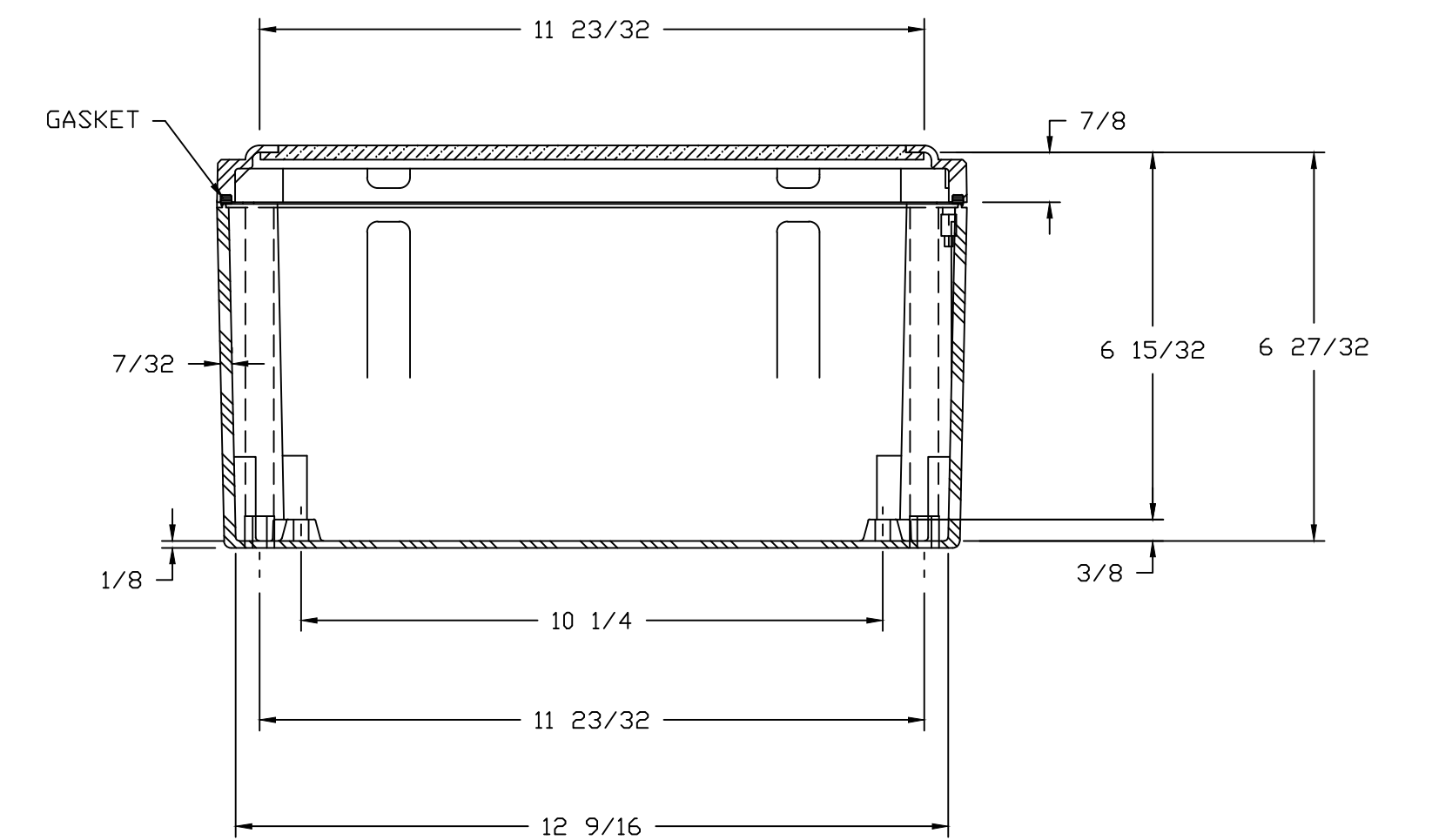
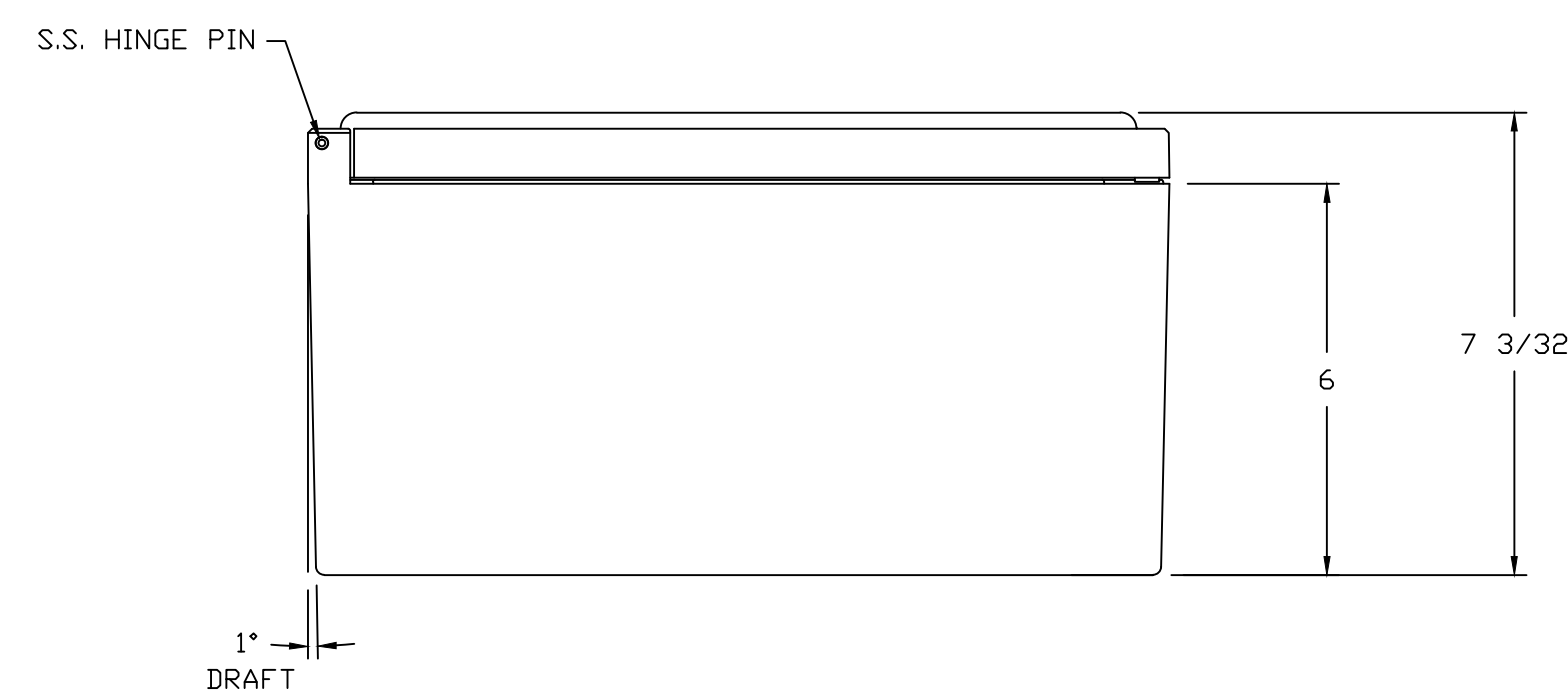



INSIDE VIEW  
WITHOUT COVER



SECTION B-B



SECTION A-A

NOTES:										
NEMA 4X					TOLERANCES UNLESS SPECIFIED		DECIMAL ± .010	FRACTIONAL ± 1/32		
COLOR: GLACIER GRAY RR1013										
MATERIAL			DR. BY	DATE	CHK. BY		DATE	 BELDING, MICHIGAN 48809		
FR POLYESTER FIBERGLASS			GF	7/12/96						
LET.	REVISION RECORD		DATE	BY	CHD.	APD. BY	DATE	CUSTOMER		AutoCAD DWG. FILE
										CLW1513HW
SCALE			PART NAME		ENCLOSURE		PART NO.		CLW1513HW	
DO NOT SCALE										