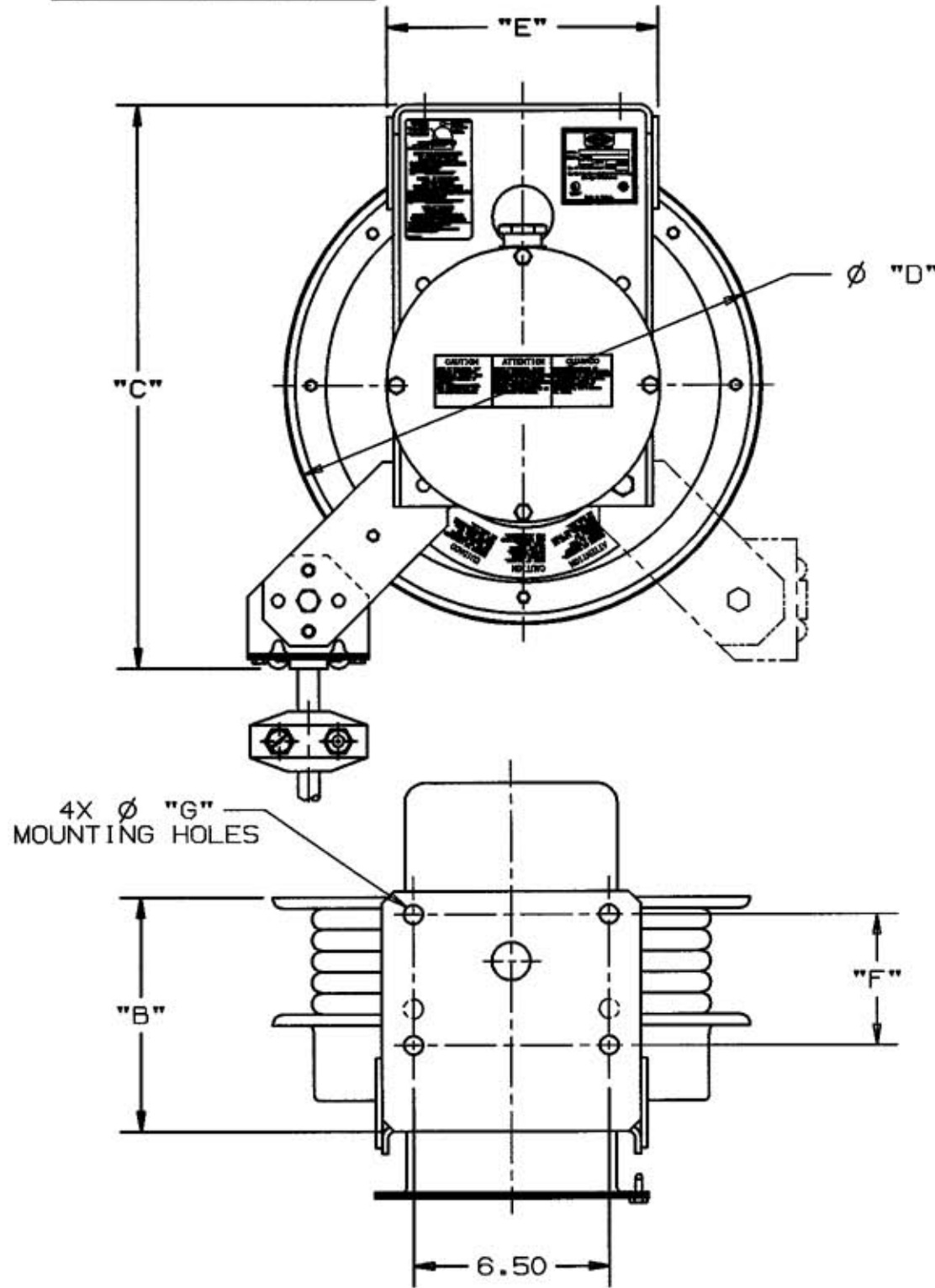
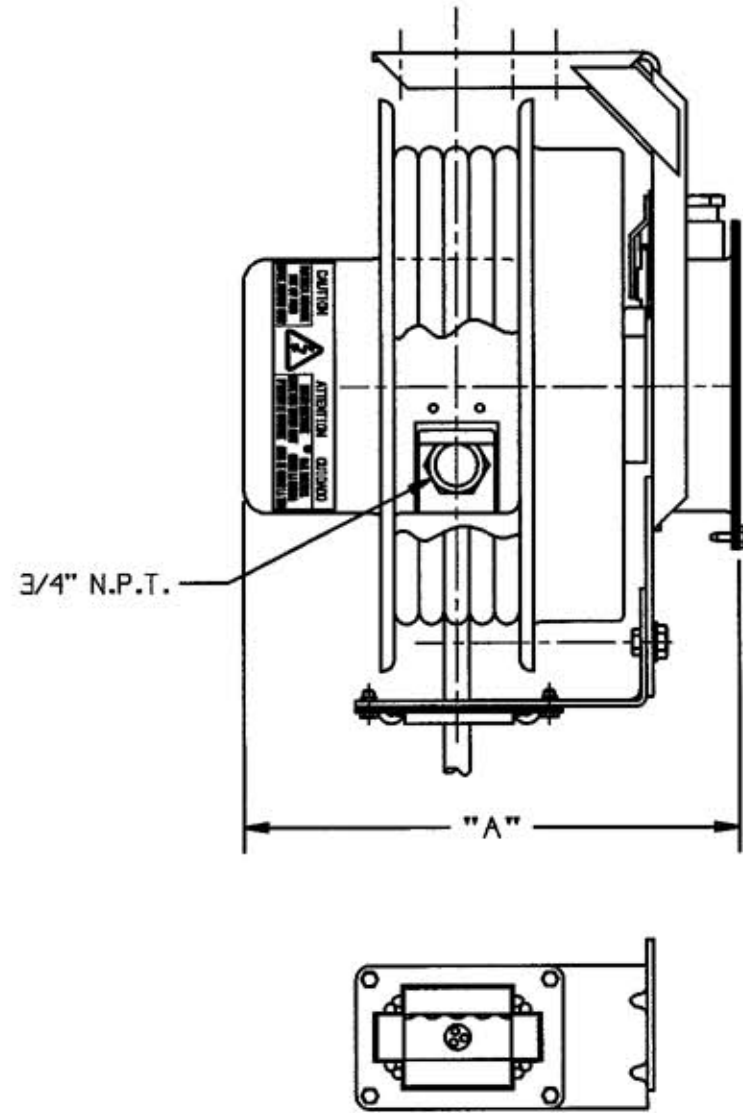


M-7678 3



MANUFACTURED IN U.S.A.

CATALOG NUMBER	SHIPPING WEIGHT	REEL SIZE	CORD TYPE	CORD LGTH.	DIMENSIONS IN INCHES [mm]						
					A	B	C	D	E	F	G
HBL501431W	54 LBS.	14"	14/3 SOW-A	50 FT./15M	12.19	6.12	16.25	13.75	8.00	3.00	0.469
HBL501232W	80 LBS.	16"	12/3 SOW-A	50 FT./15M	14.19	8.00	18.25	15.75	8.50	4.94	0.531
HBL501242W	86 LBS.	16"	12/4 SOW-A	50 FT./15M	14.19	8.00	18.25	15.75	8.50	4.94	0.531
HBL501032W	86 LBS.	16"	10/3 SOW-A	50 FT./15M	14.19	8.00	18.25	15.75	8.50	4.94	0.531
HBL501042W	92 LBS.	16"	10/4 SOW-A	50 FT./15M	14.19	8.00	18.25	15.75	8.50	4.94	0.531

CODE 74545

LIST OF PARTS

DESCRIPTION	MATERIAL	FINISH
INTERNAL CIRCUITRY PARTS	COPPER ALLOY	
COLLECTOR COVER	STEEL	YELLOW
REEL BASE & SHEAVE	STEEL	YELLOW
CORD STOP	RUBBER	BLACK

3	12/4/01 ADDED METERIC EQUIVALENT FOR DIM. 6.50. ADDED CALLOUT FOR 3/4" N.P.T. ADDED "IN INCHES [mm]" TO DIMENSIONS IN TABLE. PER DCN 8686 SPN	TCM	2/5/02
2	11-8-96 ROTATE CAUTION LABEL D-56156-01 180°, ROTATED CABLE GUIDE 90° CLOCKWISE DCN 4653 SD		11/08/96
1	RELEASED PER DCN #4599 JMN	CJC	10/10/96
SYM	REVISIONS	APP	DATE

THE DESIGN AND DIMENSIONS OF THE PRODUCT SHOWN ON THIS DRAWING ARE SUBJECT TO CHANGE WITHOUT NOTICE

TITLE WEATHERPROOF CABLE REEL TYPE 4X ENCLOSURE

TOLERANCES UNLESS OTHERWISE SPECIFIED		WIRING DEVICE DIVISION HUBBELL, INCORPORATED BRIDGEPORT, CT	
FRACTIONS	±1/64	DR. BY JMN	APP. BY CJC
DECIMALS	±.005	TR. BY	SCALE NONE
ANGLES	±2°	CHK'D BY	DATE 10/09/96

DIMENSION SHEET FOR EXT. NO.

SEE TABLE

REPAIRABLE NON-REPAIRABLE

B

M-7678

3