

Standard Barrel Copper Lug T&B Catalog Number:

54205UF0616

UPC Number:

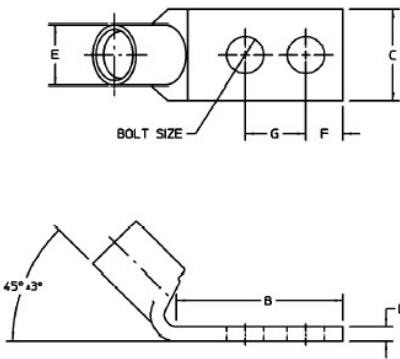
78621061891

Status:

Active

Description:

Copper Two-Hole Lug - 45 degree Standard Barrel - max 35KV, #6 AWG Wire, 3/8" Bolt Size, 1" Hole Spacing, Tin Plated with Inspection Hole, Blue 24



General

Material	Copper
Finish	Tin Plated
Wire Size	#6 AWG
Number of Studs	2
Stud Size	3/8
Bolt Hole Spacing	1
Tongue Angle	45
Barrel Length	Standard
Barrel Shape	Standard
Tongue Width	Standard
Peep Hole	Y
Marking	Standard
Hole Shape	Round
Die Color	Blue
Die Code	24

Dimension Information

B (inches)	1.28
C (inches)	0.44
D (inches)	0.08
E (inches)	0.30
F (inches)	0.25
G (inches)	1.00

Specifications

Voltage Rating	600V to 35KV
----------------	--------------

Tooling

Connector & Tooling Chart	Available on Website
---------------------------	----------------------

Packaging

T&B Inner Pack	50
Package in Units	500
T&B Sold in UOM	Each
T&B Weight Per UOM	3.2 lbs. per 100

Application Support

Overview	Available on Website
----------	----------------------

Notes

Dimensions given for reference only. Dimensions may vary up to +/- .030.

Certifications

RoHS Compliance	Yes
-----------------	-----

Certifications



File Nbr:
E9809

For further technical assistance, please contact us...

Thomas & Betts - USA
8155 T&B Blvd.
Memphis, TN 38125
www.tnb.com

T&B Technical Support
MS 3B-50
8155 T&B Blvd.
Memphis, TN 38125

Hours: 7AM - 6PM CDT
Monday-Friday
Phone: (888) 862-3289
Fax: (901) 252-1321
Email: techsupport@tnb.com