



LED Flashing Combination Audible/Visual Signal

Model AV1-LED

ECONOMICAL LED AUDIBLE/VISUAL SIGNAL

- Available in 24VDC and 120VAC
- 60,000 hour LED light source
- Surface mount, integrated 1/2-inch NPT pipe mount, and 4-inch electrical box mount
- Five dome colors
- Twist-off lens for easy access
- Internal buzzer produces 85dBA at 10' (95dBA @ 1m)
- PLC compatible
- Type 3R enclosure
- UL and cUL Listed

Model AV1-LED is a combination audible/visual signal. The AV1-LED features a 100% polycarbonate housing that is rated for Type 3R rain-tight applications. Available dome colors include Amber, Blue, Clear, Green and Red.

The AV1-LED design provides three mounting configurations. The black base will accommodate mounting to a 1/2-inch NPT pipe, a 4-inch octagonal electrical box or any flat surface. The surface mount gasket serves as a template for preparing a flat surface with appropriate mounting holes.

All AV1-LED units feature a unique twist-and-lock dome design to allow for tool-free access to the LED. The fresnel lensing provides superior visibility in all directions.

The integrated buzzer provides 85dBA output at 10 feet (95dBA @ 1 meter). The unit is capable of independent flashing light and sounder operation. The LED can be field adjusted to two flash patterns, 60 FPM or 75 FPM, via a jumper on the PC board.

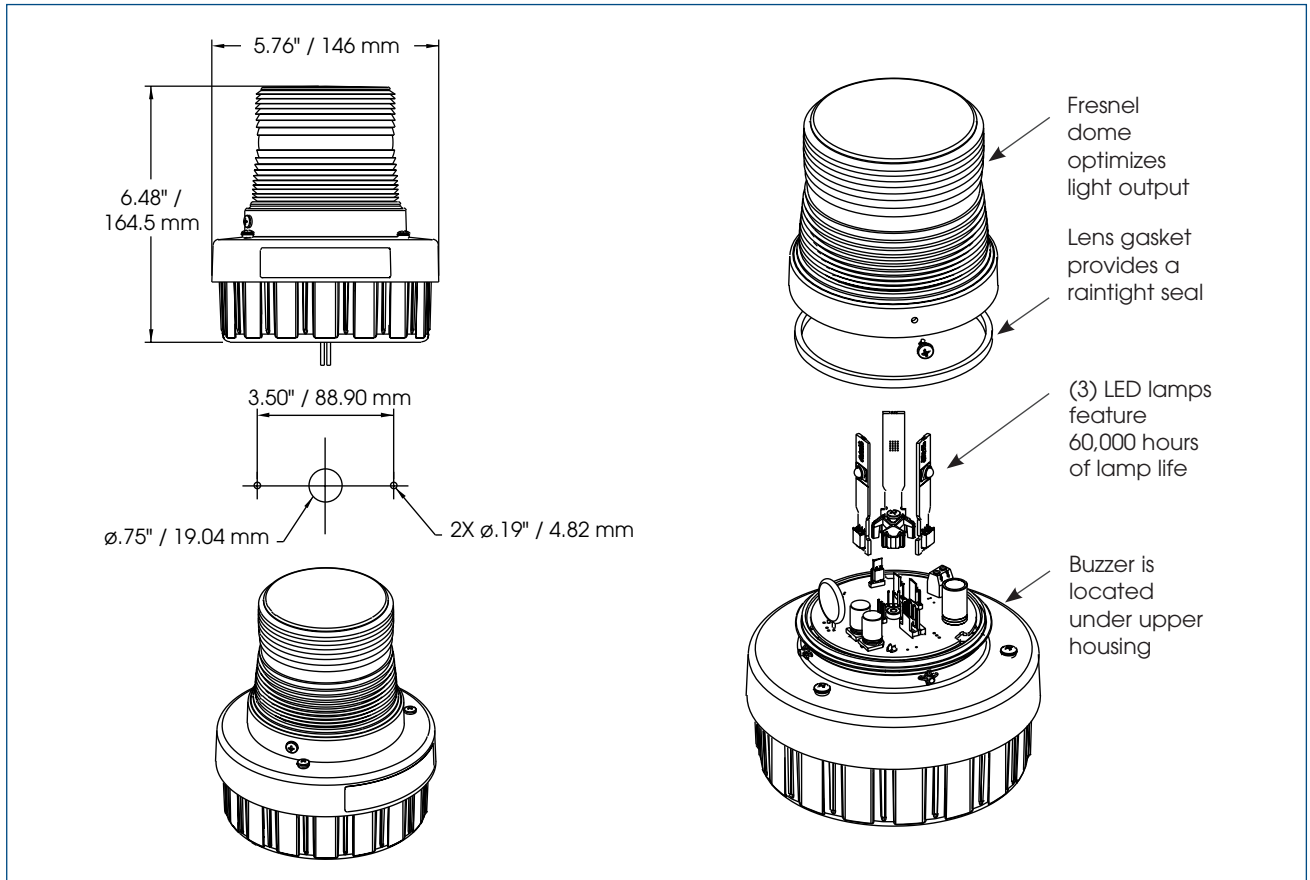
The AV1-LED comes in two voltage variations: 24VDC and 120VAC. Each unit is factory assembled with two color-coded leads. If desired, the user can remove the leads and connect directly to the terminal block located in the base of the unit. The AV1-LED is UL and cUL Listed.

| Model | Voltage | Operating Current | Flash Rate/Minute | Decibels @ | | Mount |
|---------------|---------|-------------------|-------------------|------------|----|--------------|
| | | | | 10' | 1m | |
| AV1-LED-024 * | 24VDC | 0.27 amps | 60/75 | 85 | 95 | Pipe/Surface |
| AV1-LED-120 * | 120VAC | 0.03 amps | 60/75 | 85 | 85 | Pipe/Surface |

* Indicates color: (A) Amber, (B) Blue, (C) Clear, (G) Green or (R) Red



AUDIBLE/VISUAL SIGNALING DEVICE (AV1-LED)



SPECIFICATIONS

| | | |
|------------------------|----------------|---------------|
| Lamp Life: | 60,000 Hours | 60,000 Hours |
| Light Source: | LED | LED |
| Operating Temperature: | -31°F to 150°F | -35°C to 66°C |
| Net Weight: | 1.25 lbs. | 0.57 kg |
| Shipping Weight: | 1.75 lbs. | 0.8 kg |
| Height (from bottom): | 6.48" | 164.5 mm |
| Diameter: | 5.76" | 146 mm |

HOW TO ORDER

- Specify model, voltage and color
- Optional Accessories:
 Corner Bracket (LCMB2)*
 Wall Bracket (LWMB2)*
 Hazardous Location Mounting Bracket (LHWB)

* Type 3R applications.

REPLACEMENT PARTS

| <u>Description</u> | <u>Part Number</u> | <u>Description</u> | <u>Part Number</u> |
|------------------------------|--------------------|--------------------|--------------------|
| Dome Kit, Amber ¹ | K8550292A-02 | Amber LED | K2005633A-A |
| Dome Kit, Blue ¹ | K8550292A-01 | Blue LED | K2005633A-B |
| Dome Kit, Clear ¹ | K8550292A | Green LED | K2005633A-G |
| Dome Kit, Green ¹ | K8550292A-04 | Red LED | K2005633A-R |
| Dome Kit, Red ¹ | K8550292A-03 | White LED | K2005633A-W |
| Buzzer, 24VDC | K8591002A-03 | | |
| Buzzer, 120VAC | K8591002A | | |

¹ Includes 1 lens gasket and 1 surface mount gasket