

Brady Key Retaining Steel Padlocks

TDS No. LOTO-11
Effective Date: 11/20/2012

Description:

Design

- Reinforced laminated steel withstands severe physical abuse, hardened steel shackle resists tampering
- Individually coated body plates provide superior rust protection & corrosion resistance
- Features a 5-pin cylinder and a key retaining feature
- Available in two shackle sizes, 6 stock colors, and options for custom keying (KD, KA, MK, GMK)

Material

- Lock body: laminated steel plates
- Shackle: Hardened Steel
- Color (of plastic band):
 - Black
 - Green
 - Blue
 - Violet
 - Red
 - Orange
 - Yellow
 - Brown
- UL Rating - UL 94 – HB (Plastic Components Only)

Temperature Range

- Service Temperature: -55°C to 100°C (-70° F to 210° F)

Chemical Resistance

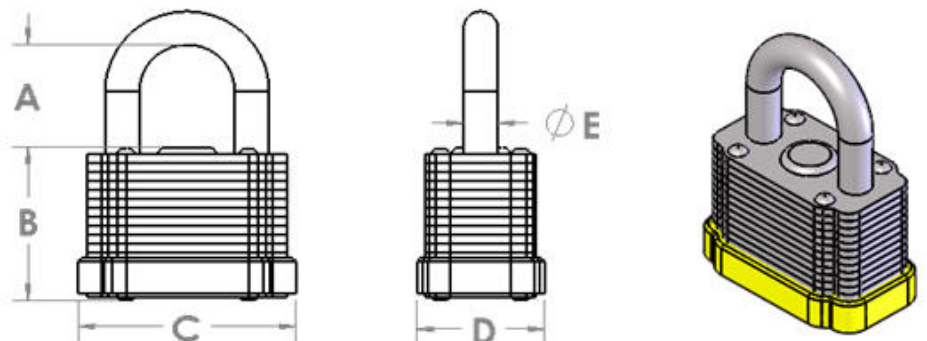
All approved chemicals listed are based on the manufactures specified chemical resistance chart for plastic material only.

Dimensions

"A"	0.8" [20.3mm]
"B"	2" [51mm]
"C"	1.1" [28.8mm]
"D"	1.7" [43.3mm]
"ØE"	1.0" [25.7mm]



Chemical	°C	Chemical	°C
Acetone	15 – 60	Nickel salt solns. (chloride, sulfate)	15 – 30
Ammonia soln.	15 – 30	Petroleum	15 – 30
Ammonia soln.	48	Silicone oils	< 80
Fuel, engine: Gasoline (Leaded & Unleaded)	48	Toluene	15 – 30
Fuel, Diesel	85	Water (including seawater)	15 – 30
Heptane	15 – 30	Water (including seawater), chlorinated (<0,5 mg/l)	80
Lubrication oil: gear oil	< 130	Zinc chloride	15 – 30
Lubricating oil: HD engine oils, hydraulic oils, transformer oils	< 130		



Warranty

Note: All values shown are averages and should not be used for specification purposes. Test data and test results contained in this document are for general information only and shall not be relied upon by Brady customers for designs and specifications, or be relied on as meeting

specified performance criteria. Customers desiring to develop specifications or performance criteria for specific product applications should contact Brady for further information.

Product compliance information is based upon information provided by suppliers of the raw materials used by Brady to manufacture this product or based on results of testing using recognized analytical methods performed by a third party, independent laboratory. As such, Brady makes no independent representations or warranties expressed or implied, and assumes no liability in connection with the use of this information.

Catalog Numbers

Brady – North America

www.bradyid.com

3/4" Shackle		2" Shackle			
1 Padlock	6 Padlocks	1 Padlock – Keyed Different	6 Padlocks – Keyed Different	3 Padlocks – Keyed Alike	6 Padlocks – Keyed Alike
143126	118935	143138	118941	118971	118972
143128	118936	143140	118942	118973	118974
143130	118937	143142	118943	118975	118976
143132	118938	143144	118944	118977	118978
143136	118939	143146	118945	118979	118981
	118940	143148	118946	118981	118982

Brady – Europe

www.en.bradyeurope.com

6 Padlocks – Keyed Different		
3/4" [20mm]	1.5" [38mm]	2" [51mm]
814086	814095	814104
814087	814096	814105
814088	814097	814106
814089	814098	814107
814090	814099	814108
814094	814100	814109
	814101	814110
	814102	814111
	814103	814112

Details:

MSDS Information

1. HAZARDS IDENTIFICATION

This product is NOT DANGEROUS and contains no hazardous ingredients.

2. FIRST AID MEASURES/HEALTH INFORMATION/PROTECTION

Eye Contact:	Not applicable, product is inert
Ingestion:	Not applicable, first aid is not normally required.
Inhalation:	Not applicable
Skin Contact:	Not applicable, product is inert, except if product is melted use gloves. For hot melted product, immerse in or flush affected area with water to dissipate heat, then obtain medical attention.
Exposure Limits:	None
Threshold Limits	None
Personal Protection:	None (ambient conditions)
NPCA-HMIS Rating:	Health: 0; Flammability: 1; Reactivity: 0
NFPA-704 Rating:	Health: 0; Flammability: 1; Reactivity: 0

3. FIRE-FIGHTING MEASURES

<ul style="list-style-type: none"> Be cautious of hot melted Nylon Isolate product from fire Extinguish fire with water spray 	<ul style="list-style-type: none"> Use water spray to cool fire, exposed surfaces, and to protect personnel Respiratory and eye protection is required for fire fighting personnel Decomposition products under fire conditions: Oxygen-lean conditions may cause monoxide and irritating smoke
--	--

4. ACCIDENTAL RELEASE MEASURES

1 and	Recover material and place in suitable container for reuse or for disposal in conformance with local regulations.
-------	---

Water	Recover material and place in suitable container for reuse or for disposal in conformance with local regulations.
-------	---

5. HANDLING AND STORAGE

5.1 Handling	5.2 Storage
No precautions noted-see local regulation if needed	Storage pressure: Atmospheric
	Storage temperature: Ambient, no direct sunlight

6. EXPOSURE CONTROLS/PERSONAL PROTECTION

6.1 Exposure limit values	6.2 Exposure Controls
None	6.2.1 Occupational Exposure Controls
	6.2.1.1 Respiratory Protection: Not applicable
	6.2.1.2 Hand Protection: Not applicable
	6.2.1.3 Eye Protection: Not applicable
	6.2.1.4 Skin Protection: Not applicable
	6.2.2 Environmental Exposure Controls: No data available

7. PHYSICAL AND CHEMICAL PROPERTIES

General Information	
Other Information	

8. STABILITY AND REACTIVITY

8.1 Conditions to Avoid
Higher Temperatures and direct sunlight (chemical resistance is excellent)
Highly stable, but temperatures over 480 F may cause degradation
8.2 Materials to Avoid
No data available
8.3 Hazardous Decomposition Products
Under fire and oxygen-lean conditions may cause monoxide and irritating smoke

9. ECOLOGICAL INFORMATION

9.1 Ecotoxicity	No data available
9.2 Mobility	No data available
9.3 Persistence and Degradability	No data available
9.4 Bioaccumulative Potential	No data available
9.5 Other Adverse Effects	No data available

10. DISPOSAL CONSIDERATIONS

None of the materials in this product are Recyclable, dispose of all materials in accordance with an applicable federal, state, and local law.
--

11. TRANSPORT INFORMATION

No data available

12. REGULATORY INFORMATION

This product has been tested and validated to the Regulatory Requirements listed below:	
<ul style="list-style-type: none"> OSHA 29 CFR 1910.147 (c)(4)(ii)(A)(1)(c)(5)(ii)(C)(1) 	<ul style="list-style-type: none"> ANSI Standard Z244

13. OTHER INFORMATION

No data available

Trademarks:

Note: All values shown are averages and should not be used for specification purposes. Test data and test results contained in this document are for general information only and shall not be relied upon by Brady customers for designs and specifications, or be relied on as meeting specified performance criteria. Customers desiring to develop specifications or performance criteria for specific product applications should contact Brady for further information.

Product compliance information is based upon information provided by suppliers of the raw materials used by Brady to manufacture this product or based on results of testing using recognized analytical methods performed by a third party, independent laboratory. As such, Brady makes no independent representations or warranties, express or implied, and assumes no liability in connection with the use of this information.

WARRANTY

Brady products are sold with the understanding that the buyers will test them in actual use and determine for themselves their adaptability to their intended uses. Brady warrants to the buyers that its products are free from defects in material and workmanship, but limits its obligation under this warranty to replacement of the product shown to Brady's satisfaction to have been defective at the time Brady sold it. This warranty does not extend to any persons obtaining the product from the buyers. This warranty is in lieu of any other warranty, express or implied, including, but not limited to, any implied warranty of merchantability or fitness for a particular purpose, and of any other obligations or liability on Brady's part. Under no circumstances will Brady be liable for any loss, damage, expense, or consequential damages of any kind arising in connection with the use, or inability to use, Brady's products.

Copyright 2016 Brady Worldwide, Inc. | All Rights Reserved
Material may not be reproduced or distributed in any form without written permission.

Lockout/Tagout | 6555 West Good Hope Road | Milwaukee, Wisconsin 53223 | USA | Tel: 414-358-6600 | Fax: 414-228-5770