

## Standard Barrel Copper Lug

T&B Catalog Number:

54270T

UPC Number:

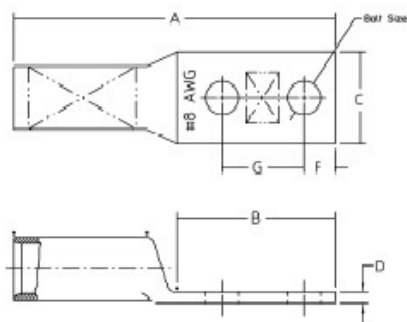
78621078164

Status:

Active

Description:

Copper Two-Hole Lug - Straight Standard Barrel - max 35KV, 4/0 AWG Wire, 1/2" Bolt Size, 1 3/4" Hole Spacing, Tin Plated with Inspection Hole, Top Stacking, Purple 54



### General

|                   |            |
|-------------------|------------|
| Material          | Copper     |
| Finish            | Tin Plated |
| Wire Size         | 4/0 AWG    |
| Number of Studs   | 2          |
| Stud Size         | 1/2        |
| Bolt Hole Spacing | 1 3/4      |
| Tongue Angle      | Straight   |
| Barrel Length     | Standard   |
| Barrel Shape      | Standard   |
| Tongue Width      | Standard   |
| Peep Hole         | Y          |
| Stacking          | Top        |
| Marking           | Standard   |
| Hole Shape        | Round      |
| Die Color         | Purple     |
| Die Code          | 54         |

### Specifications

|                |              |
|----------------|--------------|
| Voltage Rating | 600V to 35KV |
|----------------|--------------|

### Tooling

|                           |                      |
|---------------------------|----------------------|
| Connector & Tooling Chart | Available on Website |
|---------------------------|----------------------|

### Packaging

|                    |                 |
|--------------------|-----------------|
| T&B Inner Pack     | 10              |
| Package in Units   | 100             |
| T&B Sold in UOM    | Each            |
| T&B Weight Per UOM | 18 lbs. per 100 |

### Application Support

|          |                      |
|----------|----------------------|
| Overview | Available on Website |
|----------|----------------------|

### Notes

Dimensions given for reference only. Dimensions may vary up to +/- .030.

### Certifications

|                 |     |
|-----------------|-----|
| RoHS Compliance | Yes |
|-----------------|-----|

### Certifications



File Nbr:  
E9809

For further technical assistance, please contact us...

Thomas & Betts - USA  
8155 T&B Blvd.  
Memphis, TN 38125  
[www.tnb.com](http://www.tnb.com)

T&B Technical Support  
MS 3B-50  
8155 T&B Blvd.  
Memphis, TN 38125

Hours: 7AM - 6PM CDT  
Monday-Friday  
Phone: (888) 862-3289  
Fax: (901) 252-1321  
Email: [techsupport@tnb.com](mailto:techsupport@tnb.com)