

# Pro

## ProMax Intrepid/al



### FEATURES

- Fluorescent system provides energy savings up to 50% when compared to HID.
- Third party certified for operation in high ambient temperatures, up to 65°C (149°F).
- Multi voltage electronic ballast resistant to brownouts or voltage and frequency fluctuations.
- Stainless steel latches, mounting feet and lens retainers.
- Impact resistant, UV stabilized polycarbonate lens.
- Shoc♦Loc™ Bi-Pin spring loaded lamp holders for T5, T8 and T12 lamp types, provide superior resistance to shock and vibration.
- USDA compliant materials.
- Meets Canadian Processed Products Regulations C.R.C. c291.
- Neoprene gasket resists petroleum.
- Three lamp models are provided with (1) single lamp ballast and (1) two lamp ballast for independent switching or filter tube options.
- Optional, self contained emergency battery backup ballasts.
- Option MIL includes: 10 feet of low smoke cable, lamps and a mounting footprint that matches symbol 77.4 (1 and 2 lamp) and symbol 333.1 (3 lamp).

### APPLICATIONS

- Marine and watertight requirements
- Dusttight requirements
- Waste water treatment plants
- Food & beverage processing facilities
- Pulp and paper production plants

### APPROVALS

- Type 4
- IP66
- Marine Outside Type Saltwater
- ABS
- NSF

### STANDARDS

- UL 924 - Emergency Lighting Equipment
- UL 1598A - Luminaires for Marine Vessels
- EN 60529 - Ingress Protection
- Canadian Processed Products Regulations C.R.C. c291
- CSA - C22.2 250-04
- CSA - C22.2 141
- NSF/ANSI 2-2007 Splash Zone

### TECHNICAL SPECIFICATIONS

#### HOUSING

.062 inch thick, type 5052H32 aluminum with an electrostatically applied polyester powder coat finish.

#### LENS

0.090 inch thick, matte polycarbonate. Optional clear polycarbonate.

#### REFLECTOR

Type 5052H32 aluminum with an electrostatically applied white polyester powder coat finish. Minimum 90% reflectance.

#### GASKET

One piece neoprene.

#### MOUNTING

Stainless steel vibration dampening feet for ceiling, wall or chain mount, optional end mount. Kits available for uni-strut/rod and pole mount.

#### LATCHES

Stainless steel over the center cam.

#### LAMP HOLDERS

Spring loaded on one end for linear lamp types.

#### ENTRIES

Feed-through, one nonmetallic cable gland and one end plugged. See Special Options for other entries.

#### LAMP TYPES

See ORDERING REFERENCES. Lamps not provided.

#### BALLAST

120 to 277 volt 50/60 Hz electronic, except F20 & F40 T12 Bi-Pin which are 120V 60Hz.

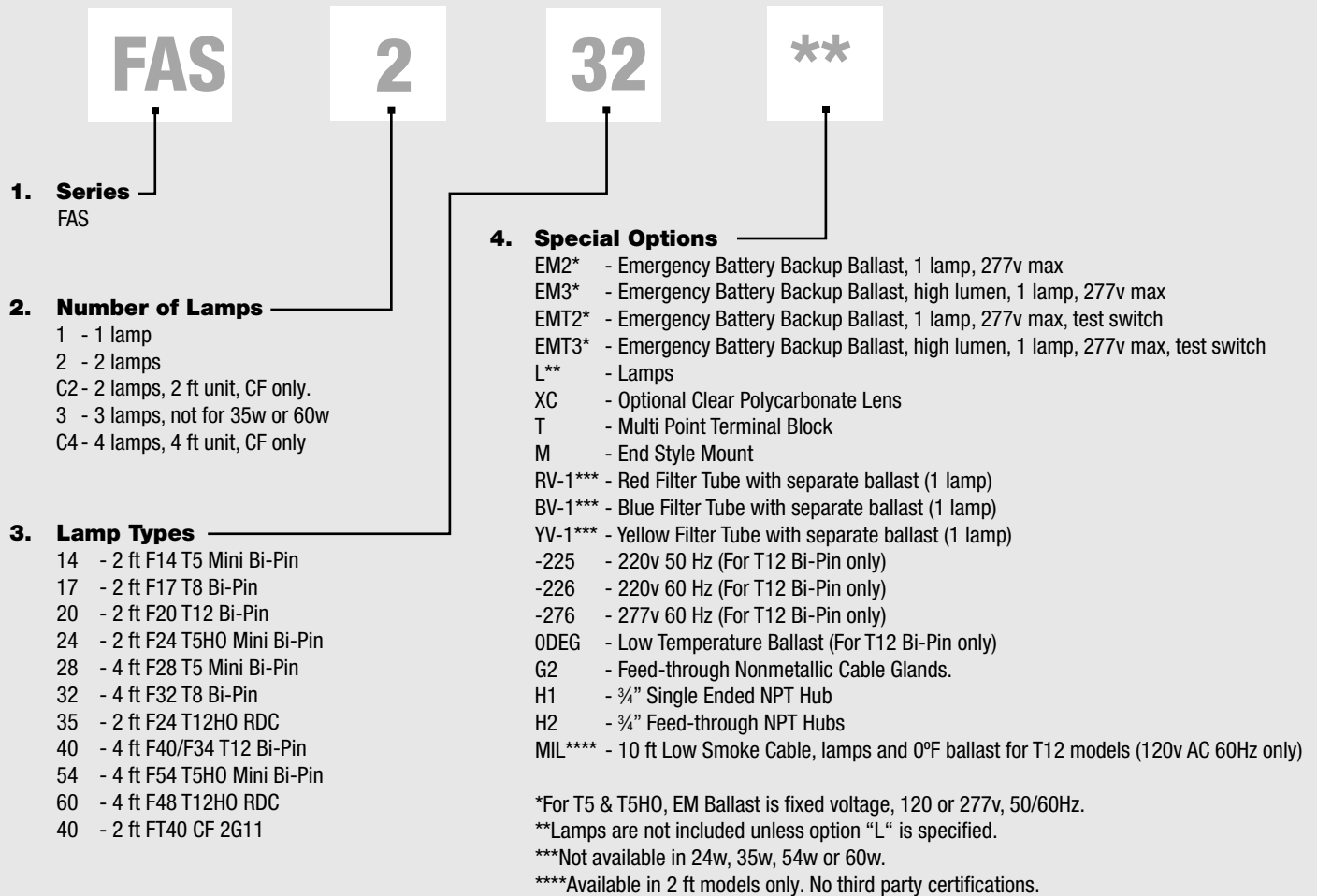
Lamp Wattage	Ballast/Socket Type	ANSI Lamp Code	Starting Temp	Maximum Ambient*	Supply Wire
17	T8 Bi-Pin G13	F17-T8	0°F / -18°C	55°C	90°C
32	T8 Bi-Pin G13	F32-T8	-20°F / -29°C	55°C	90°C
40	4 Pin 2G11	FT40 CF	0°F / -18°C	55°C	90°C
24/54	T5HO Mini Bi-Pin G5	F24/F54-T5HO	-20°F / -29°C	55°C	90°C
14/28	T5 Mini Bi-Pin G5	F14/F28-T5	0°F / -18°C	55°C	90°C
35/60	T12HO RDC R17d	F24/F48-T12HO	-20°F / -29°C	40°C	90°C

\*Consult factory for optional higher ambient models.

#### EMERGENCY BATTERY BACKUP BALLAST

Optional, self contained 90 minute minimum for all lamp types. 120 minutes minimum for F32T8 one lamp. Starting temperature 32°F/0°C.

## ORDERING REFERENCES



**Notes:**

1. Consult factory for options not listed.

## COMMONLY ORDERED LUMINAIRES

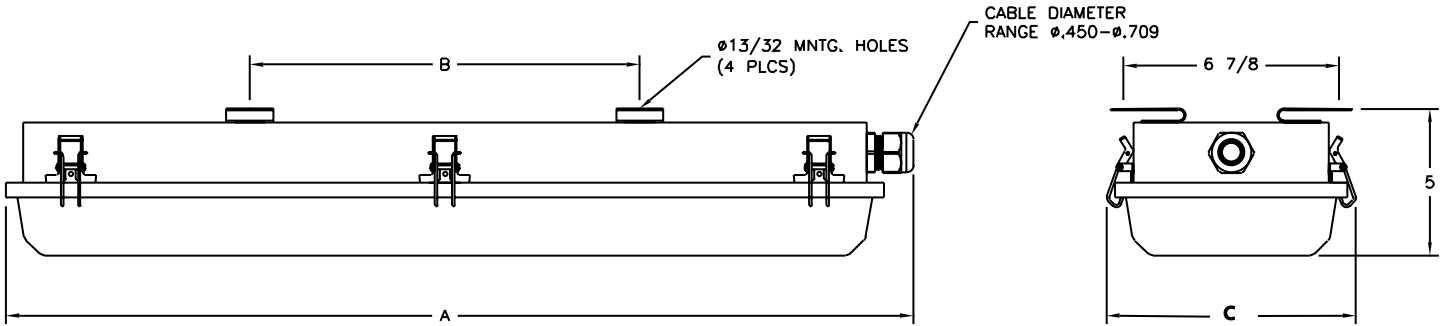
Part No.	Description	Weight	
		Lbs	Kg
FAS217	Aluminum 2 foot fixture 2 x F17 120-277v 50/60 Hz	8.5	3.9
FAS220	Aluminum 2 foot fixture 2 x F20 120v 60 Hz	9.5	4.3
FAS232	Aluminum 4 foot fixture 2 x F32 120-277v 50/60 Hz	16.2	7.3
FAS240	Aluminum 4 foot fixture 2 x F40 120v 60 Hz	17.2	7.8
FX2175	Matte Polycarbonate Lens with Gasket 2 ft	1.5	.68
FX2177	Matte Polycarbonate Lens with Gasket 4 ft	2.7	1.22
FX2163	Clear Polycarbonate Lens with Gasket 2 ft	1.5	.68
FX2165	Clear Polycarbonate Lens with Gasket 4 ft	2.7	1.22
FX8014	Latches	.1	.05

# ProMax Intrepid/al

## SPARE PARTS

Part No.	Description		
FX5350	BALLAST 120-277V AC 50/60HZ, 1 x 14, F14T5	FX3567	LAMP, 54w, F54T5HO
FX5350	BALLAST 120-277V AC 50/60HZ, 1 x 28, F28T5	FX3528	LAMP, 17w, F17T8
FX5307	BALLAST 120-277V AC 50/60HZ, 1 x 24, F24T5HO	FX3527	LAMP, 32w, F32T8
FX5305	BALLAST 120-277V AC 50/60HZ, 1 x 54, F54T5HO	FX3506	LAMP, 20w, F20T12
FX5174	BALLAST 120-277V AC 50/60HZ, 1 x 17, F17T8	FX3517	LAMP, 34w, F40T12/ES
FX5221	BALLAST 120-277V AC 50/60HZ, 1 x 32, F32T8	FX3504	LAMP, 40w, F40T12
FX5334	BALLAST 120-277V AC 50/60HZ, 1 x 35, F24T12HO	FX3507	LAMP, 35w, F24T12HO
FX5334	BALLAST 120-277V AC 50/60HZ, 1 x 60, F48T12HO	FX3505	LAMP, 60w, F48T12HO
FX5272	BALLAST 120-277V AC 50/60HZ, 1 x 40 CF, FT40 2G11	FX3533	LAMP, 40w CF, FT40 2G11
FX5350	BALLAST 120-277V AC 50/60HZ, 2 x 14, F14T5	FX8014	LATCH
FX5350	BALLAST 120-277V AC 50/60HZ, 2 x 28, F28T5	GKT6106-69	LENS GASKET, 2ft. models
FX5307	BALLAST 120-277V AC 50/60HZ, 2 x 24, F24T5HO	GKT6106-117	LENS GASKET, 4ft. models
FX5305	BALLAST 120-277V AC 50/60HZ, 2 X 54, F54T5HO	FX4008	LAMP HOLDER, 17w, 20w, 24w, 32w, 40w & 54w Stationary
FX5340	BALLAST 120-277V AC 50/60HZ, 2 X 17, F17T8	FX4009	LAMP HOLDER, 17w, 20w, 24w, 32w, 40w & 54w Spring
FX5340	BALLAST 120-277V AC 50/60HZ, 2 X 32, F32T8	FX4008SET	LAMP HOLDER, (1 ea. FX4008, FX4009)
FX5334	BALLAST 120-277V AC 50/60HZ, 2 X 35, F24T12HO	FX4004	LAMP HOLDER, 35w & 60w Stationary
FX5334	BALLAST 120-277V AC 50/60HZ, 2 X 60, F48T12HO	FX4005	LAMP HOLDER, 35w & 60w Spring
FX5272	BALLAST 120-277V AC 50/60HZ, 2 X 40 CF, FT40 2G11	FX4004SET	LAMP HOLDER, (1 ea. FX4004, FX4005)
FX5009	BALLAST 120V 60HZ, 1 x 20, F20T12	FX4043	LAMP HOLDER, 40w CF
FX5326	BALLAST 120V 60HZ, 1 X 34, F34T12	FX2175	MATTE POLYCARBONATE LENS (with Gasket), 2ft. models
FX5326	BALLAST 120V 60HZ, 1 x 40, F34T12	FX2177	MATTE POLYCARBONATE LENS (with Gasket), 4ft. models
FX5001	BALLAST 120V 60HZ, 2 x 20, F20T12	FX2163	CLEAR POLYCARBONATE LENS (with Gasket), 2ft. models
FX5004	BALLAST 120V 60HZ, 2 X 34, F34T12	FX2165	CLEAR POLYCARBONATE LENS (with Gasket), 4ft. models
FX5004	BALLAST 120V 60HZ, 2 x 40, F34T12	CX1517	CABLE GLAND, 3/4" NPT non metallic
FX5135U	EMERGENCY BATTERY BACKUP BALLAST, EM2/EMT2, 120-277V for T8, T8HO, T12, T12HO & CF	FX2193RED	FILTER TUBE, Red 17w T8
FX5316	EMERGENCY BATTERY BACKUP BALLAST, EM2/EMT2/EM3/EMT3, 120 or 277V for T5 & T5HO	FX2192RED	FILTER TUBE, Red 20w T12
FX5095U	EMERGENCY BATTERY BACKUP BALLAST, EM3/EMT3, 120-277V for T8, T8HO, T12, T12HO & CF	FX2195RED	FILTER TUBE, Red 32w T8
FX3573	LAMP, 14w, F14T5	FX2194RED	FILTER TUBE, Red 34w T12
FX3574	LAMP, 28w, F28T5	FX2192BLU	FILTER TUBE, Blue 20w T12
FX3568	LAMP, 24w, F24T5HO		

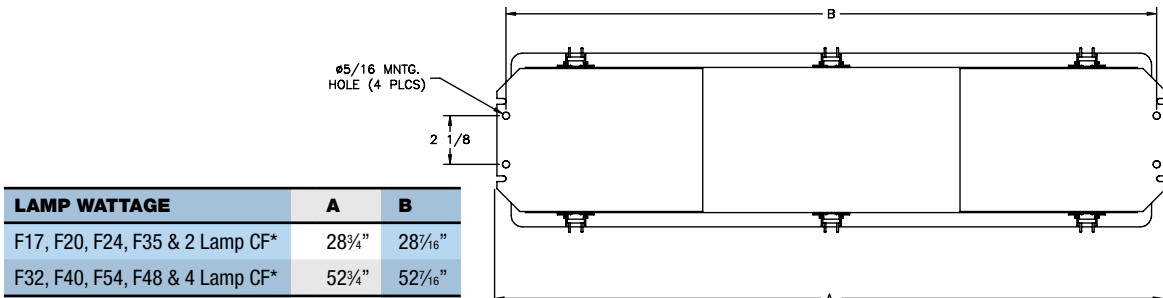
## DIMENSIONS



Nominal Length	Dimensions in Inches / Centimeters			Carton W x D x L Inches	Nominal Weight	
	A	B	C		Lbs	Kg
2 Foot	28.8 / 73.7	12.44 / 31.59	7.625 / 19.4	8 <sup>3</sup> / <sub>4</sub> x 6 <sup>1</sup> / <sub>4</sub> x 31 <sup>7</sup> / <sub>8</sub>	8.5	3.9
4 Foot	52.8 / 134.6	36.56 / 92.87	7.625 / 19.4	8 <sup>1</sup> / <sub>2</sub> x 6 x 56 <sup>1</sup> / <sub>16</sub>	14	6.4

## MOUNTING OPTIONS

### Option M - END STYLE MOUNT



LAMP WATTAGE	A	B
F17, F20, F24, F35 & 2 Lamp CF*	28 <sup>3</sup> / <sub>4</sub> "	28 <sup>7</sup> / <sub>16</sub> "
F32, F40, F54, F48 & 4 Lamp CF*	52 <sup>3</sup> / <sub>4</sub> "	52 <sup>7</sup> / <sub>16</sub> "

\* CF = Compact Fluorescent

## MOUNTING KITS

