

Industrial Vaportight Lighting.

Applications:

- Low-maintenance indoor/outdoor lighting where moisture, dirt, dust, corrosion and rough service are problems
- Low-profile fixture design for where low ceiling height presents a lighting problem
- To light cold storage facilities, walkways, bridges, tunnels and security locations
- Used with colored globes as warning, caution or directional lights. For 100- or 200-watt medium-base incandescent lamps

Features/Benefits:

- Copper-free* aluminum and stainless steel screws provide increased corrosion resistance
- Precision-cast and machined surfaces permit safer wire pulling
- Fully threaded glass globes prevent cross threading, assuring a tight seal
- High-quality replaceable porcelain socket with high-temperature leads result in a long-lasting fixture
- Five mounting configurations packaged three different ways to suit all customer requirements
- Colored, heat-resistant and shatterproof LEXAN® globes available

Standard Materials:

- Fixture and guards: Die-cast aluminum alloy A360 with less than .004 copper content (copper-free), and stainless steel screw
- Globe: Lime crystal glass
- Socket: Center contact, porcelain, medium base

Standard Finish:

- Powder-coated finish

Compliances:

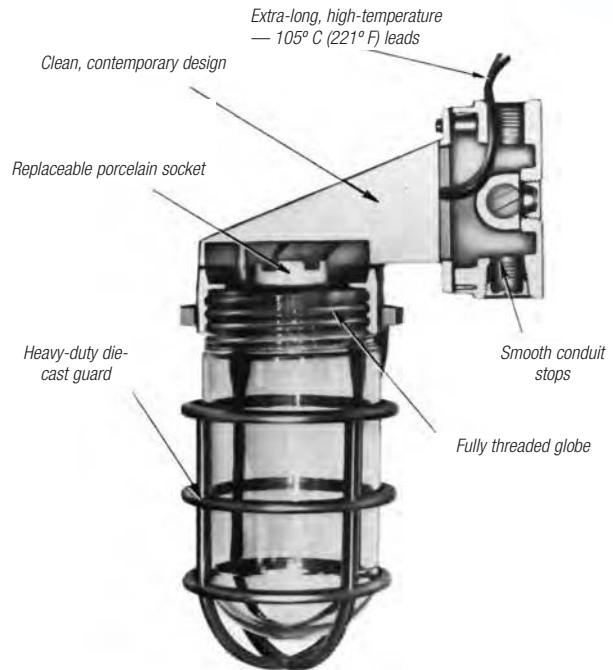
- UL Listed
- Suitable for use in wet locations only when oriented as shown (mounted with lamp base up and guard/globe down)

Sample Specifications

- Fixture shall be die-cast copper-free* aluminum alloy A360. All conduit stops shall be coined and free of rough edges. LEXAN® globes shall have full threads. Sockets shall be porcelain. Fixtures shall be finished with powder-coated paint. Fixtures shall be Red•Dot® Catalog No. _____

* Less than .004 copper content.

LEXAN® is a registered trademark of SABIC Innovative Plastics Company.



VAG-C



VKG-C



VWG-C



VXG-C



VXWG-C

Low-Maintenance Indoor Lighting where Moisture, Dirt, Dust, Corrosion and Rough Service are a Problem.

- Compatible with incandescent and most self-ballasted compact fluorescent bulbs
- For indoor or outdoor use
- Fixture and guard die-cast copper-free aluminum, less than .004 copper content
- Available in components or complete fixture
- Low-silhouette incandescent vaportight
- Variety of mounting configurations
- UL Listed



Pendant Mount



CAT. NO.	HUB SIZE (IN.)	MAX. WATT	DESCRIPTION
VK-11	½	100	Pendant Cap with Socket Screw Terminals, Gasket and Screws
VK-21	¾	100	
VK-12	½	200	
VK-22	¾	200	Pendant Cap with Socket Screw Terminals, Gasket Screws and Globe
VKG-11	½	100	
VKG-21	¾	100	
VKG-12	½	200	Pendant Cap with Socket Screw Terminals, Gasket Screws, Globe and Cast Guard
VKG-22	¾	200	
VKG-11-C	½	100	
VKG-21-C	¾	100	
VKG-12-C	½	200	
VKG-22-C	¾	200	

Ceiling Mount with Adapter Plate



CAT. NO.	HUB SIZE (IN.)	MAX. WATT	DESCRIPTION
VA-01	—	100	Ceiling Outlet Box Cap with Socket with Leads, Gasket and Screws
VA-02	—	200	
VAG-01	—	100	Ceiling Outlet Box Cap with Socket with Leads, Gasket, Screws and Globe
VAG-02	—	200	
VAG-01-C	—	100	Ceiling Outlet Box Cap with Socket with Leads, Gasket, Screws, Globe and Cast Guard
VAG-02-C	—	200	

Ceiling Mount Cross Feed (5 Tapped Holes)



CAT. NO.	HUB SIZE (IN.)	MAX. WATT	DESCRIPTION
VX-11	½	100	Ceiling-Cross Feed Box with Gaskets, Socket with Leads, Screws, 4 Closure Plugs and Cast Mounting Lugs
VX-21	¾	100	
VX-12	½	200	
VX-22	¾	200	Ceiling-CrossFeed Box with Gaskets, Socket with Leads, Screws, 4 Closure Plugs and Cast Mounting Lugs and Globe
VXG-11	½	100	
VXG-21	¾	100	
VXG-12	½	200	Ceiling-Cross Feed Box with Gaskets, Socket with Leads, Screws, 4 Closure Plugs, Cast Mounting Lugs, Globe and Cast Guard
VXG-22	¾	200	
VXG-11-C	½	100	
VXG-21-C	¾	100	
VXG-12-C	½	200	
VXG-22-C	¾	200	

NOTE: For upright mounting only. Caution: In ordering LEXAN® Globe, wattage is rated 75% of standard globe size (i.e. VGLL-02 is for use on 200-watt fixtures, but only rated for 150-watt lamps.)

Vaportight Lighting

Wall Mount with Adapter Plate



CAT. NO.	MAX. WATT	DESCRIPTION
VW-01	100	Wall Mount Unit with Socket with Leads, Gaskets and Screws
VW-02	200	Wall Mount Unit with Socket with Leads, Gaskets and Screws and Globe
VWG-01	100	Wall Mount Unit with Socket with Leads, Gaskets and Screws and Globe
VWG-02	200	Wall Mount Unit with Socket with Leads, Gaskets and Screws and Globe
VWG-01-C	100	Wall Mount Unit with Socket with Leads, Gaskets, Globe, Screws and Cast Guard
VWG-02-C	200	Wall Mount Unit with Socket with Leads, Gaskets, Globe, Screws and Cast Guard

Wall Mount Cross Feed (5 Tapped Holes)



CAT. NO.	HUB SIZE (IN.)	MAX. WATT	DESCRIPTION
VXW-11	½	100	Wall Mount Cross Feed with Socket with Leads, Gaskets, Screws, 4 Closure Plugs and Cast Mounting Lugs
VXW-21	¾	100	Wall Mount Cross Feed with Socket with Leads, Gaskets, Screws, 4 Closure Plugs and Cast Mounting Lugs
VXW-12	½	200	Wall Mount Cross Feed with Socket with Leads, Gaskets, Screws, 4 Closure Plugs and Cast Mounting Lugs
VXW-22	¾	200	Wall Mount Cross Feed with Socket with Leads, Gaskets, Screws, 4 Closure Plugs and Cast Mounting Lugs
VXWG-11	½	100	Wall Mount Cross Feed with Socket with Leads, Gaskets, Screws, 4 Closure Plugs and Cast Mounting Lugs
VXWG-21	¾	100	Wall Mount Cross Feed with Socket with Leads, Gaskets, Screws, 4 Closure Plugs and Cast Mounting Lugs
VXWG-12	½	200	Wall Mount Cross Feed with Socket with Leads, Gaskets, Screws, 4 Closure Plugs and Cast Mounting Lugs
VXWG-22	¾	200	Wall Mount Cross Feed with Socket with Leads, Gaskets, Screws, 4 Closure Plugs and Cast Mounting Lugs
VXWG-11-C	½	100	Wall Mount Cross Feed with Socket with Leads, Gaskets, Screws, 4 Closure Plugs, Cast Mounting Lugs, Globe and Cast Guard
VXWG-21-C	¾	100	Wall Mount Cross Feed with Socket with Leads, Gaskets, Screws, 4 Closure Plugs, Cast Mounting Lugs, Globe and Cast Guard
VXWG-12-C	½	200	Wall Mount Cross Feed with Socket with Leads, Gaskets, Screws, 4 Closure Plugs, Cast Mounting Lugs, Globe and Cast Guard
VXWG-22-C	¾	200	Wall Mount Cross Feed with Socket with Leads, Gaskets, Screws, 4 Closure Plugs, Cast Mounting Lugs, Globe and Cast Guard

Globes



CAT. NO.	MAX. WATT	DESCRIPTION
Glass		
VGL-01	100	Clear
VGLA-01	100	Amber
VGLB-01	100	Blue
VGLG-01	100	Green
VGLR-01	100	Red
VGLH-01	150	Clear, Heat Resistant
VGL-02	200	Clear
VGLR-02	200	Red
VGLH-02	300	Clear, Heat Resistant



LEXAN®		
VGLL-01	75	Clear Prismatic
VGLL-02	150	Clear Prismatic
VGLA-A1	75	Amber
VGLA-R1	75	Red

Not for use with guards.

NOTE: For upright mounting only. Caution: In ordering LEXAN® Globe, wattage is rated 75% of standard globe size (i.e. VGLL-02 is for use on 200-watt fixtures, but only rated for 150-watt lamps.)

Guards



CAT. NO.	MAX. WATT	DESCRIPTION
Wire		
VGW-01	100	Clamp-On Plated Steel Guards
VGW-02	200	Clamp-On Plated Steel Guards
Die Cast		
VGD-01	100	Die-Cast Aluminum Guards with Positive Locking Screws
VGD-02	200	Die-Cast Aluminum Guards with Positive Locking Screws

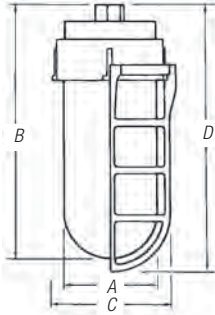
Vaportight Boxes and Covers



CAT. NO.	CONDUIT TAPPING (IN.)	DESCRIPTION
Boxes		
LVX-1	½	Box, 3½" Diameter, 1½" Deep, 5 Tapped Holes, 12.08 Cu. In. 4 Closure Plugs with Cast Mounting Lugs
LVX-2	¾	Box, 3½" Diameter, 1½" Deep, 5 Tapped Holes, 12.08 Cu. In. 4 Closure Plugs with Cast Mounting Lugs
Cover		
V-B	None	Blank Cover 3½" Diameter

Vaportight Lighting

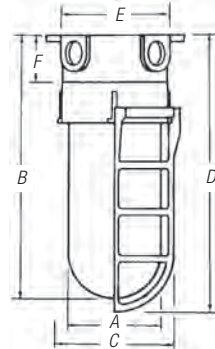
redodot and Carlon® Weatherproof Boxes, Covers and Conduit Bodies



Pendant Mount (VKG)

VKG

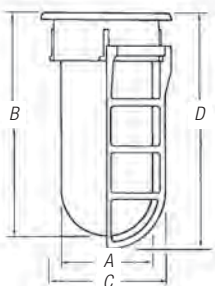
CAT. NO.	A (IN.)	B (IN.)	C (IN.)	D (IN.)
VKG-11	3 $\frac{3}{8}$	8 $\frac{5}{8}$		
VKG-21	3 $\frac{3}{8}$	8 $\frac{5}{8}$		
VKG-12	4 $\frac{1}{8}$	10 $\frac{1}{8}$		
VKG-22	4 $\frac{1}{8}$	10 $\frac{1}{8}$		
		C (IN.)	D (IN.)	
VKG-11-C	4 $\frac{1}{8}$	8 $\frac{3}{4}$		
VKG-21-C	4 $\frac{1}{8}$	8 $\frac{3}{4}$		
VKG-12-C	5 $\frac{1}{4}$	10 $\frac{3}{8}$		
VKG-22-C	5 $\frac{1}{4}$	10 $\frac{3}{8}$		



Ceiling Mount Cross Feed (VXG)

VXG

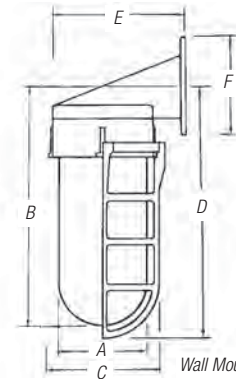
CAT. NO.	A (IN.)	B (IN.)	E (IN.)	F (IN.)
VXG-11	3 $\frac{3}{8}$	8 $\frac{1}{2}$	3 $\frac{1}{2}$	1 $\frac{1}{8}$
VXG-21	3 $\frac{3}{8}$	8 $\frac{1}{2}$	3 $\frac{1}{2}$	1 $\frac{1}{8}$
VXG-12	4 $\frac{1}{8}$	10 $\frac{3}{8}$	3 $\frac{1}{2}$	1 $\frac{1}{8}$
VXG-22	4 $\frac{1}{8}$	10 $\frac{3}{8}$	3 $\frac{1}{2}$	1 $\frac{1}{8}$
		C (IN.)	D (IN.)	
VXG-11-C	4 $\frac{1}{8}$	9 $\frac{1}{8}$		
VXG-21-C	4 $\frac{1}{8}$	9 $\frac{1}{8}$		
VXG-12-C	5 $\frac{1}{4}$	11 $\frac{1}{8}$		
VXG-22-C	5 $\frac{1}{4}$	11 $\frac{1}{8}$		



Ceiling Mount (VAG)

VAG

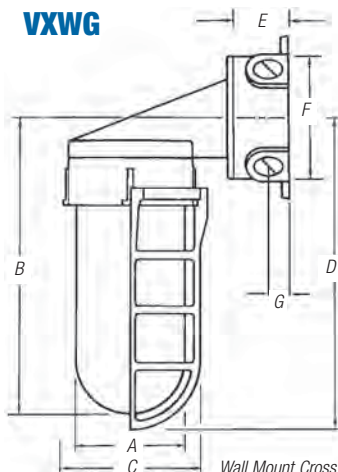
CAT. NO.	A (IN.)	B (IN.)	C (IN.)	D (IN.)
VAG-01	3 $\frac{3}{8}$	7 $\frac{1}{8}$		
VAG-02	4 $\frac{1}{8}$	9 $\frac{1}{8}$		
		C (IN.)	D (IN.)	
VAG-01-C	4 $\frac{1}{8}$	7 $\frac{1}{2}$		
VAG-02-C	5 $\frac{1}{4}$	9 $\frac{1}{2}$		



Wall Mount (VWG)

VWG

CAT. NO.	A (IN.)	B (IN.)	E (IN.)	F (IN.)
VWG-01	3 $\frac{3}{8}$	8 $\frac{1}{8}$	4 $\frac{1}{4}$	3 $\frac{1}{2}$
VWG-02	4 $\frac{1}{8}$	10 $\frac{3}{8}$	5 $\frac{1}{4}$	3 $\frac{1}{2}$
		C (IN.)	D (IN.)	
VWG-01-C	4 $\frac{1}{8}$	8 $\frac{1}{2}$		
VWG-02-C	5 $\frac{1}{4}$	10 $\frac{1}{2}$		



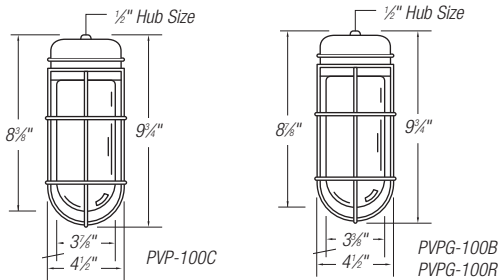
Wall Mount Cross Feed (VXWG)

CAT. NO.	DIMENSIONS (IN.)										
	A	B	C	D	E	F	G	H	I	J	CI
VXWG-11	3 $\frac{3}{8}$	8 $\frac{1}{8}$	—	—	1 $\frac{1}{8}$	3 $\frac{1}{2}$	—	—	—	—	—
VXWG-21	3 $\frac{3}{8}$	8 $\frac{1}{8}$	—	—	1 $\frac{1}{8}$	3 $\frac{1}{2}$	—	—	—	—	—
VXWG-12	4 $\frac{1}{8}$	10 $\frac{3}{8}$	—	—	1 $\frac{1}{8}$	3 $\frac{1}{2}$	—	—	—	—	—
VXWG-22	4 $\frac{1}{8}$	10 $\frac{3}{8}$	—	—	1 $\frac{1}{8}$	3 $\frac{1}{2}$	—	—	—	—	—
VXWG-11-C	3 $\frac{3}{8}$	8 $\frac{1}{8}$	4 $\frac{1}{8}$	8 $\frac{1}{2}$	1 $\frac{1}{8}$	3 $\frac{1}{2}$	—	—	—	—	—
VXWG-21-C	3 $\frac{3}{8}$	8 $\frac{1}{8}$	4 $\frac{1}{8}$	8 $\frac{1}{2}$	1 $\frac{1}{8}$	3 $\frac{1}{2}$	—	—	—	—	—
VXWG-12-C	4 $\frac{1}{8}$	10 $\frac{3}{8}$	5 $\frac{1}{8}$	10 $\frac{1}{8}$	1 $\frac{1}{8}$	3 $\frac{1}{2}$	—	—	—	—	—
VXWG-22-C	4 $\frac{1}{8}$	10 $\frac{3}{8}$	5 $\frac{1}{8}$	10 $\frac{1}{8}$	1 $\frac{1}{8}$	3 $\frac{1}{2}$	—	—	—	—	—
LVX-1	—	—	—	—	1 $\frac{1}{8}$	3 $\frac{1}{2}$	$\frac{5}{8}$	5	4 $\frac{1}{8}$	2 $\frac{3}{8}$	10.3
LVX-2	—	—	—	—	1 $\frac{1}{8}$	3 $\frac{1}{2}$	$\frac{5}{8}$	5	4 $\frac{1}{8}$	2 $\frac{3}{8}$	10.3

Red•Dot® Vaporproof Fixtures — UL Listed for Non-Explosive Vapors.

Pendant Fixtures

- Rugged aluminum die-cast construction
- Corrosion-resistant, natural cast finish
- All current-carrying components are copper or copper alloy porcelain socket
- Fixtures supplied with heat-resistant glass globes or high-impact LEXAN® globes
- Amber, clear, red and white LEXAN® globes can be ordered separately
- Mount with diffuser facing down



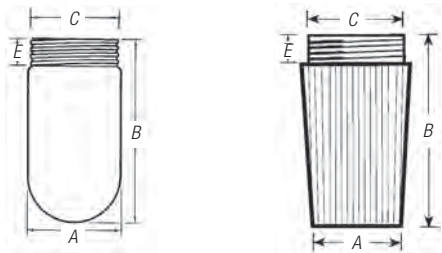
CAT. NO.	DESCRIPTION	MAX. WATTS	PACKAGING	
			BOX	STD. CTN.
PVP-100C	Fixture and Clear LEXAN® Globe	100	1	12
PVPG-100B	Fixture, Blue LEXAN® Globe, Guard	100	1	12
PVPG-100R	Fixture, Red LEXAN® Globe, Guard	100	1	12

UL Listed.

* CSA Certified LR-95792.

LEXAN® is a registered trademark of SABIC Innovative Plastics Company.

VGL



Threaded Glass Globe (VGL)

Threaded Glass Plastic Globe (VGL, VGLL)

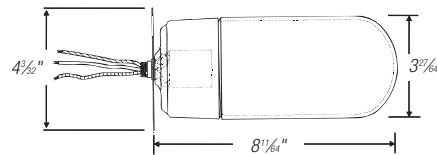
CAT. NO.	A (IN.)	B (IN.)	C (IN.)	D (IN.)	E (IN.)	I.D (IN.)
VGL-01 SERIES	3 3/8	6 1/2	3 5/8	1	—	2 1/8
VGL-02 SERIES	4 3/8	8	4 5/8	1	—	3 1/8
VGLL-01	3 1/2	5 1/8	3	—	7/8	2 1/4
VGLL-02	4 1/2	8	4 3/8	—	7/8	3 1/4
VGLA-A1	3 1/2	5 1/8	3	—	7/8	2 1/4
VGLA-R1	3 1/2	5 1/8	3	—	7/8	2 1/4

For Indoor Lighting. Universal Economy Fixture

- Heavy-duty sheet metal construction
- Thermoset protective gray finish
- Up to 75-watt lamp
- Includes glass globes
- Mounts on 4" box
- 3 color-coded, prestripped, copper wire leads
- (2) 1/4" diameter mounting holes



BL-100

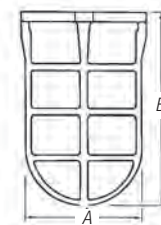


CAT. NO.	DESCRIPTION	MAX. WATTS	STD. CTN.
BL-100	Fixture and Glass Globe	75	10

Replacement Parts

CAT. NO.	DESCRIPTION	PACKAGING	
		BOX	STD. CTN.
Sockets			
R122	Socket for All Vapor-Proof Fixtures	—	250

VGD, VGW



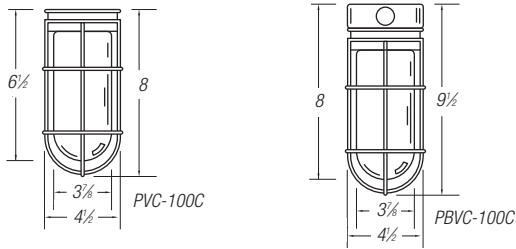
Guards (VGD, VGW)

CAT. NO.	A (IN.)	B (IN.)
VGD-01	4 1/8	7
VGD-02	5 1/8	8
VGW-01	4 1/8	6 3/4
VGW-02	5 1/8	8 3/4

redodot® and Carlon® Weatherproof Boxes, Covers and Conduit Bodies

Red•Dot® Vaporproof Fixtures —
UL Listed for Non-Explosive Vapors.

Surface Fixtures



- Rugged aluminum die-cast construction
- Corrosion-resistant, natural cast finish
- All current-carrying components are copper or copper alloy porcelain socket
- Fixtures supplied with heat-resistant glass globes or high-impact LEXAN® globes
- Amber, clear, red and white LEXAN® globes can be ordered separately
- Mount with diffuser facing down

CAT. NO.	DESCRIPTION	MAX. WATTS	PACKAGING	
			BOX	STD. CTN.
PVC-100C	Fixture and Clear LEXAN® Globe	100	1	12
PBVC-100C	Fixture, Box and Clear LEXAN® Globe	100	1	12

Fits all 3" and 4" Round or Octagon Boxes

* UL Listed E-77360.

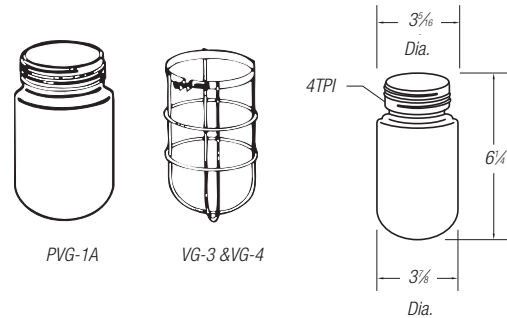
CSA Certified LR-95792.

LEXAN® is a registered trademark of SABIC Innovative Plastics Company.

Vaporproof Fixtures — Globes and Guards.

Vaporproof Fixture Globes and Guards Replacements

- Heat-resistant glass globes or high-impact LEXAN®
- Amber, clear, red and white LEXAN® globes can be ordered separately



CAT. NO.	DESCRIPTION	PACKAGING	
		BOX	STD. CTN.
PVG-1A*	Amber LEXAN® Globe for 100-Watt Fixtures	1	12
PVG-1C*	Clear LEXAN® Globe for 100-Watt Fixtures	1	12
PVG-1R*	Red LEXAN® Globe for 100-Watt Fixtures	1	12
PVG-1W*	White LEXAN® Globe for 100-Watt Fixtures	1	12
VG-3	Guard for 100-Watt Fixtures	1	12
VG-4	Guard for 200-Watt Fixtures	1	6

* UL Listed E-77360.

LEXAN® is a registered trademark of SABIC Innovative Plastics Company.