



PAR38 LED Single Optic Lamps with AirFlux Technology

19PAR38/F25 3000 DIM AF SO-S 6/1

Philips PAR38 LED Single Optic Lamps with AirFlux Technology improves shopping experience with superior lighting aesthetics and optimal thermal efficiency in a sleek, lightweight design.

Product data

• General Characteristics

Cap-Base	E26
Bulb	PAR38 [PAR38 mm]
Rated Avg. Life (Hours)	45000 hr

• Light Technical Characteristics

Color Code	WH
Color Designation	White
Beam Angle	25 D
Beam Description	25D [Medium beam]
Correlated Color Temperature	3000 K
Approximate Lumens	1250 Lm
CRI	80
Luminous Efficacy Lamp	66 Lm/W
Color Temp. (Kelvin)	3000 K [CCT 3000K]
Rated Luminous Flux	1250 Lm

• Electrical Characteristics

Wattage	19 W
Wattage Technical	120 W
Voltage	120 V
Line Frequency	60 Hz
Power Factor	0.9 -
Lamp Current mA	182 mA
Dimmable	Yes

Wattage Equivalent	120 W
Starting Time	0.5 s

• Environmental characteristics

Energy consumption kWh/1000h	19 kWh
------------------------------	--------

• Measuring Conditions

Switching cycle	20000X
-----------------	--------

• Product Dimensions

Overall Length C	132 mm
Diameter D	120 mm

• Product Data

Product number	432013
Full product name	19PAR38/F25 3000 DIM AF SO-S 6/1
Short product name	19PAR38/F25 3000 DIM AF SO-S 6/1
Pieces per Sku	1
eop_pck_cfg	6
Skus/Case	6
Bar code on pack	46677432010
Bar code on case	50046677432015
Logistics code(s)	929000259704
eop_net_weight_pp	0.370 kg

Warnings and Safety

- Suitable for use in damp locations.

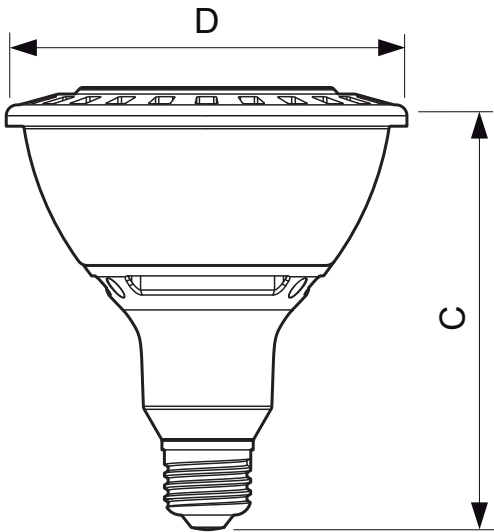
- Not for use in totally enclosed luminaires.



PHILIPS

PAR38 LED Single Optic Lamps with AirFlux Technology

Dimensional drawing



E26

19PAR38/F25 3000 DIM AF SO-S 6/1

Product	C (Norm)	C1 (Max)	D (Norm)	D1 (Norm)
LED 19W E26 3000K 120V 25D	132	-	120	-



© 2014 Koninklijke Philips N.V. (Royal Philips)
All rights reserved.

Specifications are subject to change without notice. Trademarks are the property of Koninklijke Philips N.V. (Royal Philips) or their respective owners.

www.philips.com/lighting

2014, November 29
data subject to change