

Standard Barrel Copper Lug

T&B Catalog Number:

542040212

UPC Number:

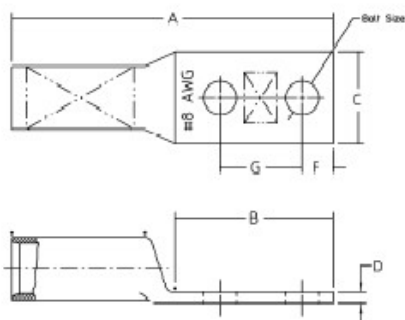
78621069158

Status:

Active

Description:

Copper Two-Hole Lug - Straight Standard Barrel - max 35KV, #8 AWG Wire, #10 Bolt Size, 3/4" Hole Spacing, Tin Plated with Inspection Hole, Red 21



General

Material	Copper
Finish	Tin Plated
Wire Size	#8 AWG
Number of Studs	2
Stud Size	#10
Bolt Hole Spacing	3/4
Tongue Angle	Straight
Barrel Length	Standard
Barrel Shape	Standard
Tongue Width	Standard
Peep Hole	Y
Marking	Standard
Hole Shape	Round
Die Color	Red
Die Code	21

Specifications

Voltage Rating	600V to 35KV
----------------	--------------

Tooling

Connector & Tooling Chart	Available on Website
---------------------------	----------------------

Packaging

T&B Inner Pack	50
Package in Units	500
T&B Sold in UOM	Each
T&B Weight Per UOM	1.8 lbs. per 100

Application Support

Overview	Available on Website
----------	----------------------

Notes

Dimensions given for reference only. Dimensions may vary up to .030.

Certifications

RoHS Compliance	Yes
-----------------	-----

Certifications



File Nbr:
E9809

For further technical assistance, please contact us...

8155 T&B Blvd.
Memphis, TN 38125
www.tnb.com

MS 3B-50
8155 T&B Blvd.
Memphis, TN 38125

Monday-Friday
Phone: (888) 862-3289
Fax: (901) 252-1321
Email: techsupport@tnb.com