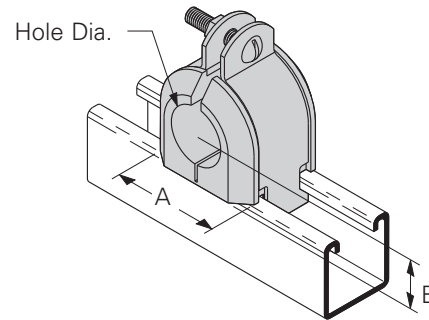


B4060 THRU B4093 Insulclamp Cable Clamps (Replaces porcelain clamps)

- Assembly includes:
1 Insulclamp & 1 pr. zinc plated Pipe Straps with Everdur (Silicon Bronze) Hardware
- The thermoplastic elastomer Insulclamp has a dielectric strength of 640 volts/mil
- The flame retardant one piece design allows for trouble free assembly
- Everdur hardware is non-ferrous and prevents magnetic induction



OSO



Part No.	Hole Dia.		Wt./C		A		B		Includes Clamp No.
	In.	mm	Lbs.	kg	In.	mm	In.	mm	
B4060	3/8"	(9.5)	25	(11.3)					
B4061	1/2"	(12.7)	25	(11.3)	1.36"	(34.5)	.56"	(14.2)	B2030
B4062	5/8"	(15.9)	25	(11.3)					
B4063	3/4"	(19.0)	37	(16.8)					
B4064	7/8"	(22.2)	37	(16.8)	1.86"	(47.2)	.81"	(20.8)	B2011
B4065	1"	(25.4)	37	(16.8)					
B4066	1 1/8"	(28.6)	37	(16.8)					
B4067	1 1/4"	(31.7)	58	(26.3)					
B4068	1 3/8"	(34.9)	58	(26.3)	2.36"	(59.9)	1.06"	(26.9)	B2038
B4069	1 1/2"	(38.1)	58	(26.3)					
B4070	1 5/8"	(41.3)	58	(26.3)					
B4071	1 3/4"	(44.4)	76	(34.5)					
B4072	1 7/8"	(47.6)	76	(34.5)	2.86"	(72.6)	1.31"	(33.3)	B2042
B4073	2"	(50.8)	76	(34.5)					
B4074	2 1/8"	(54.0)	76	(34.5)					
B4075	2 1/4"	(57.1)	90	(40.8)					
B4076	2 3/8"	(60.3)	90	(40.8)	3.36"	(85.3)	1.56"	(39.6)	B2046
B4077	2 1/2"	(63.5)	90	(40.8)					
B4078	2 5/8"	(66.7)	90	(40.8)					
B4079	2 3/4"	(69.8)	109	(49.4)					
B4080	2 7/8"	(73.0)	109	(49.4)	3.86"	(98.0)	1.81"	(46.0)	B2050
B4081	3"	(76.2)	109	(49.4)					
B4082	3 1/8"	(79.4)	109	(49.4)					
B4083	3 1/4"	(82.5)	130	(58.9)					
B4084	3 3/8"	(85.7)	130	(58.9)	4.36"	(110.7)	2.06"	(52.3)	B2054
B4085	3 1/2"	(88.9)	130	(58.9)					
B4086	3 5/8"	(92.1)	130	(58.9)					
B4087	3 3/4"	(95.2)	160	(72.6)					
B4088	3 7/8"	(98.4)	160	(72.6)	4.86"	(123.4)	2.31"	(58.7)	B2058
B4089	4"	(101.6)	160	(72.6)					
B4090	4 1/8"	(104.8)	160	(72.6)					
B4091	4 1/4"	(107.9)	160	(72.6)					
B4092	4 3/8"	(111.1)	160	(72.6)	5.24"	(133.1)	2.50"	(63.5)	B2018
B4093	4 1/2"	(114.3)	160	(72.6)					

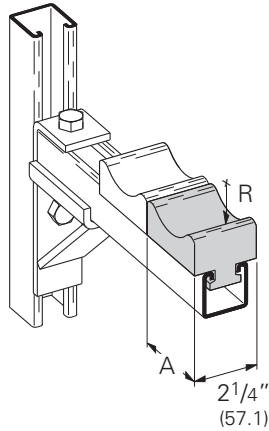
4Dimension compatible fitting
open side only OSO

Reference page 163 for general fitting and standard finish specifications. U.L. Wire Fill Chart on pages 231 - 232.

Porcelain & Maple Clamps

B4050 & B4051 Porcelain Cable Channel Saddle

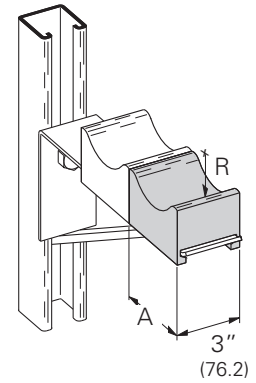
- Electrical porcelain has an dielectric strength of 50 volts/mil



Part No.	A		R		Wt./C	
	In.	mm	In.	mm	Lbs.	kg
B4050	3"	(76.2)	1 ³ / ₈ "	(34.9)	72	(32.6)
B4051	4"	(101.6)	2 ¹ / ₈ "	(54.0)	100	(45.3)

B4094 & B4095 Porcelain Cable Rack Saddle

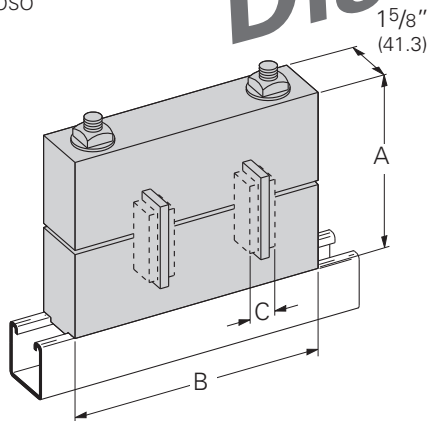
- Electrical porcelain has an dielectric strength of 50 volts/mil
- Designed for use with B449 Brackets



Part No.	A		R		Wt./C	
	In.	mm	In.	mm	Lbs.	kg
B4094	2 ⁷ / ₈ "	(73.0)	1 ³ / ₈ "	(34.9)	67	(30.4)
B4095	3 ⁷ / ₈ "	(98.4)	2 ¹ / ₈ "	(54.0)	106	(48.1)

B4035A thru B4035F 4" (101.6) Bus Bar Maple Clamps

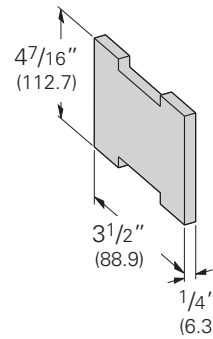
- Assembly Includes:
 - 1 pr. Maple Clamps (Paraffin Impregnated)
 - 3 pcs. 1/2" Flat Washers
 - 3 pcs. N225WO
 - 3 pcs. SQN-1/2"
 - 3 pcs. ATR-1/2 x L (Length)
- Required number of Separators
- 1/4" (6.3) x 2" (50.8) and 1/4" (6.3) x 6" (152.4) Bus Bar Maple Clamps available



B4037B 1/4" (6.3) x 4" (101.6) Bus Bar Separator

- Wt./C 9 Lbs. (4.1 kg)

Discontinued



Part No.	A		B		C		No. of Bus Separators	No. of Bars Per Leg	Wt./C	
	In.	mm	In.	mm	In.	mm			Lbs.	kg
B4035A	7 ³ / ₈ " (187.3)		8 ¹ / ₂ "	(215.9)	1/4"	(6.3)	–	1	416	(188.7)
B4035B			9 ¹ / ₂ "	(241.3)	3/4"	(19.0)	2	2	447	(202.7)
B4035C			10 ¹ / ₂ "	(266.7)	1 ¹ / ₄ "	(31.7)	4	3	479	(217.3)
B4035D			11 ¹ / ₂ "	(292.1)	1 ³ / ₄ "	(44.4)	6	4	511	(231.8)
B4035E			12 ¹ / ₂ "	(317.5)	2 ¹ / ₄ "	(57.1)	8	5	542	(245.8)
B4035F			13 ¹ / ₂ "	(342.9)	2 ³ / ₄ "	(69.8)	10	6	574	(260.3)

4Dimension compatible fitting
open side only OSO

Reference page 163 for general fitting and standard finish specifications. U.L. Wire Fill Chart on pages 231 - 232.

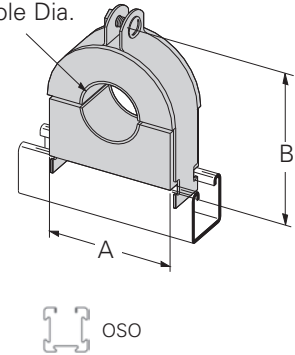
B4000 thru B4007 - Maple Cable Clamps

- Assembly Includes:
 - 1 pr. Maple Clamps (Paraffin Impregnated)
 - 1 pr. zinc plated Steel Pipe Straps with Everdur Hardware (Silicon Bronze)
- Everdur hardware is non-ferrous and prevents magnetic induction

Note: Maple cable clamps have been replaced with Insulclamps™ see page 174 for sizes

Part No.	Specify Hole Diameter		A		B		Clamp No. (included)	Wt./C	
	In.	mm	In.	mm	In.	mm		Lbs.	kg
B4000	0" to 5/8"	(0.0 to 15.9)	1 11/32"	(34.1)	2"	(50.8)	B2011	24	(10.9)
B4001	1/2" to 1"	(12.7 to 25.4)	1 29/32"	(48.4)	2 1/32"	(76.6)	B2012	44	(19.9)
B4002	3/4" to 1 1/2"	(19.0 to 38.1)	2 3/8"	(60.3)	3 1/32"	(83.3)	B2013	58	(26.3)
B4003	1 1/4" to 1 3/4"	(31.7 to 44.4)	2 7/8"	(73.0)	3 3/4"	(95.2)	B2014	66	(29.9)
B4004	1 1/2" to 2 1/4"	(31.1 to 57.1)	3 1/2"	(88.9)	4 3/8"	(111.1)	B2015	86	(39.0)
B4005	2" to 2 1/2"	(50.8 to 63.5)	4"	(101.6)	4 7/8"	(123.8)	B2016	110	(49.9)
B4006	2 1/4" to 3"	(38.1 to 76.2)	4 1/2"	(114.3)	5 3/8"	(136.5)	B2017	125	(56.7)
B4007	3" to 4"	(76.2 to 101.6)	5 9/16"	(141.3)	6 7/16"	(163.5)	B2019	165	(74.8)

Specify Hole Dia.



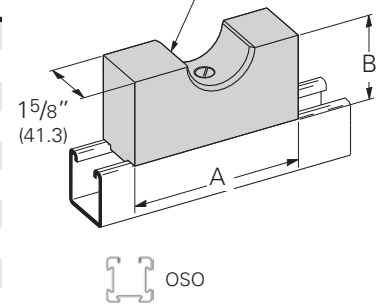
B4008 thru B4017 - Square Maple Cable Saddle

- Assembly Includes:
 - 1 Maple Saddle (Paraffin Impregnated)
 - 1 pc. 3/8"-16 Flat Head Machine Screw
 - 1 pc. N228 Channel Nut
- Other sizes available

Note: Square maple cable saddles have been replaced with porcelain cable channel saddles see page 175 for sizes

Part No.	Specify Hole Diameter		A		B		Wt./C	
	In.	mm	In.	mm	In.	mm	Lbs.	kg
B4008	0" to 1"	(0.0 to 25.4)	3"	(76.2)	3 1/4"	(86.1)	35	(15.9)
B4009	1" to 1 1/2"	(25.4 to 38.1)	3 1/2"	(88.9)	4"	(101.6)	42	(19.0)
B4010	1 1/2" to 2"	(38.1 to 50.8)	4"	(101.6)	4 1/4"	(111.8)	53	(24.0)
B4011	2" to 2 1/2"	(50.8 to 63.5)	4 1/2"	(114.3)	4 1/2"	(114.3)	62	(28.1)
B4012	2 1/2" to 3"	(63.5 to 76.2)	5"	(127.0)	4 3/4"	(119.4)	76	(34.5)
B4013	3" to 3 1/2"	(76.2 to 88.9)	5 1/2"	(139.7)	5"	(127.0)	85	(38.5)
B4014	3 1/2" to 4"	(88.9 to 101.6)	6"	(152.4)	5 1/4"	(136.5)	95	(43.1)
B4015	4" to 4 1/2"	(101.6 to 114.3)	7"	(177.8)	5 3/4"	(146.1)	105	(47.8)
B4016	4 1/2" to 5"	(114.3 to 127.0)	7 1/2"	(190.5)	6"	(152.4)	115	(52.4)
B4017	5" to 6"	(127.0 to 152.4)	9"	(228.6)	6 1/2"	(165.1)	126	(57.1)

Specify Hole Dia.



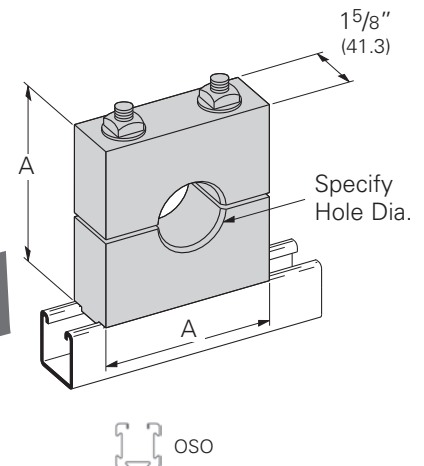
B4033A thru B4033I - Maple Cable Clamps

- Assembly Includes:
 - 1 pr. Maple Clamps (Paraffin Impregnated)
 - 2 pcs. 3/8"-16 Stud Bolts
 - 2 pcs. 3/8"-16 Flat Washers
 - 2 pcs. 3/8"-16 Square Nuts
 - 2 pcs. N228 Channel Nuts
- Other sizes available

Note: Maple cable clamps have been replaced with Insulclamps™ see page 174 for sizes

Part No.	Specify Hole Diameter		A		Wt./C	
	In.	mm	In.	mm	Lbs.	kg
B4033A	0" to 1"	(0.0 to 25.4)	3 1/2"	(88.9)	85	(38.5)
B4033B	1" to 1 1/2"	(25.4 to 38.1)	4"	(101.6)	93	(42.1)
B4033C	1 1/2" to 2"	(38.1 to 50.8)	4 1/2"	(114.3)	118	(53.5)
B4033D	2" to 2 1/2"	(50.8 to 63.5)	5"	(127.0)	162	(73.5)
B4033E	2 1/2" to 3"	(63.5 to 76.2)	6"	(152.4)	187	(84.8)
B4033F	3" to 3 1/2"	(76.2 to 88.9)	6 1/2"	(165.1)	209	(94.8)
B4033G	3 1/2" to 4"	(88.9 to 101.6)	7"	(177.8)	248	(112.5)
B4033H	4" to 4 1/2"	(101.6 to 114.3)	7 1/2"	(190.5)	270	(122.5)
B4033I	4 1/2" to 5"	(114.3 to 127.0)	8"	(203.2)	298	(135.2)

1 5/8" (41.3)



4Dimension compatible fitting open side only OSO