

INSTRUCTION / INSTALLATION SHEET

2X2 Enhanced Bi-Directional Video Amplifier Module

301 Fulling Mill Road, Suite G
 Middletown, PA 17057
 Phone (800) 321-2343 / Fax (717) 702-2546
 www.onqlegrand.com

IS-0345 Rev. B

1. INTRODUCTION

The On-Q/Legrand 2X2 Enhanced Bi-Directional Video Amplifier Module (P/N VM7632) (see **Figure 1**) handles up to 9 inputs and 16 outputs when installed with a 4, 6, or 8-way video module.

2. DESCRIPTION

The Modular Video Amplifier is designed to distribute modulated internal video signals and external video sources throughout the home. Combined inputs are amplified to negate losses to the split outputs.

- Single bay horizontal mounting bracket (P/N AC1007) included for mounting in On-Q style enclosure (see **Figure 2**)
- Bi-Directional amplifier which supports cable modem, digital cable and video on demand
- Provides a 2nd input for internal signals.
- High gain amplifier that delivers quality signal to up to 8 TV locations when coupled with add-on splitters such as the On-Q/Legrand 1x4, 1x6 or 1x8 Passive Video Modules
- A manually adjustable attenuation circuit allows amplification of video signals without noticeable degradation of signal quality while connected to a +30dBmV CATV/ANT external input

3. POWER REQUIREMENTS

The 2X2 Bi-Directional Video Amplifier Module's power requirements are:

- Voltage: +12 VDC
- Current: 250 mA
- Power: 3 W Max
- Polarity: Tip (+) Barrel (-)

Note: On-Q/Legrand offers several options for power, which range from a dedicated power cube designed to accommodate one module to power solutions designed to accommodate multiple module installations.

Please refer to the On-Q/Legrand Catalog or the On-Q/Legrand website (<http://www.onqlegrand.com>) for more information.

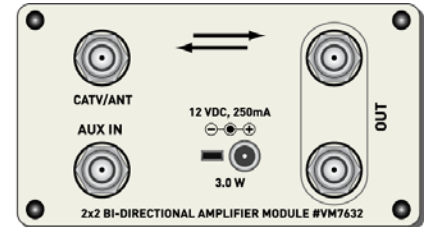


Figure 1

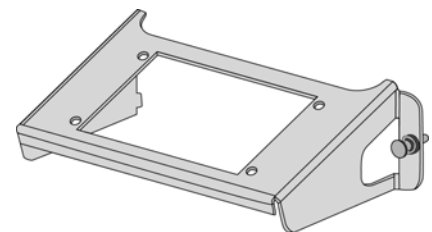


Figure 2

INSTRUCTION / INSTALLATION SHEET 2X2 Enhanced Bi-Directional Video Amplifier Module

301 Fulling Mill Road, Suite G
Middletown, PA 17057
Phone (800) 321-2343 / Fax (717) 702-2546
www.onqlegrand.com

IS-0345 Rev. B

4. INSTALLATION

WARNING - to reduce the risk of fire or electric shock, do not expose this to rain or moisture.

Note to CATV Installer: This reminder is provided to call CATV systems installer's attention to Section 820-40 of the NEC which provides guidelines for proper grounding and, in particular, specifies that the cable shall be connected to the grounding system of the building, as close to the point of cable entry as practical.

Refer to **Figure 3** during installation.

- A. Snap the 2x2 Video Amplifier onto the included bracket.
- B. To mount the bracket (with module) into the enclosure, insert the tabs on the left side of the bracket into the slots in the enclosure and push the bracket pushpin into an appropriate hole in the enclosure to secure the bracket (with module) to the enclosure.
- C. Provide power to the amplifier module
- D. Connect the incoming service line such as cable TV (CATV) or antenna (ANT) to the "CATV/ANT" port on the amplifier.
- E. Connect a coaxial patch cable from the "OUT" port on the 2x2 module to the "CATV/ANT" port on a 1x4, 1x6, or 1x8 passive video module to distribute the signal throughout the home.
- F. To create an internal video network, connect all internal video sources to a separate 1x4, 1x6, or 1x8 passive video module. Connect a coaxial patch cable from the "CATV/ANT" port on the passive video module to the "AUX IN" port on the 2x2 Modular Video Amplifier Module. This will make all internal video sources viewable through all external ports on the passive video modules.

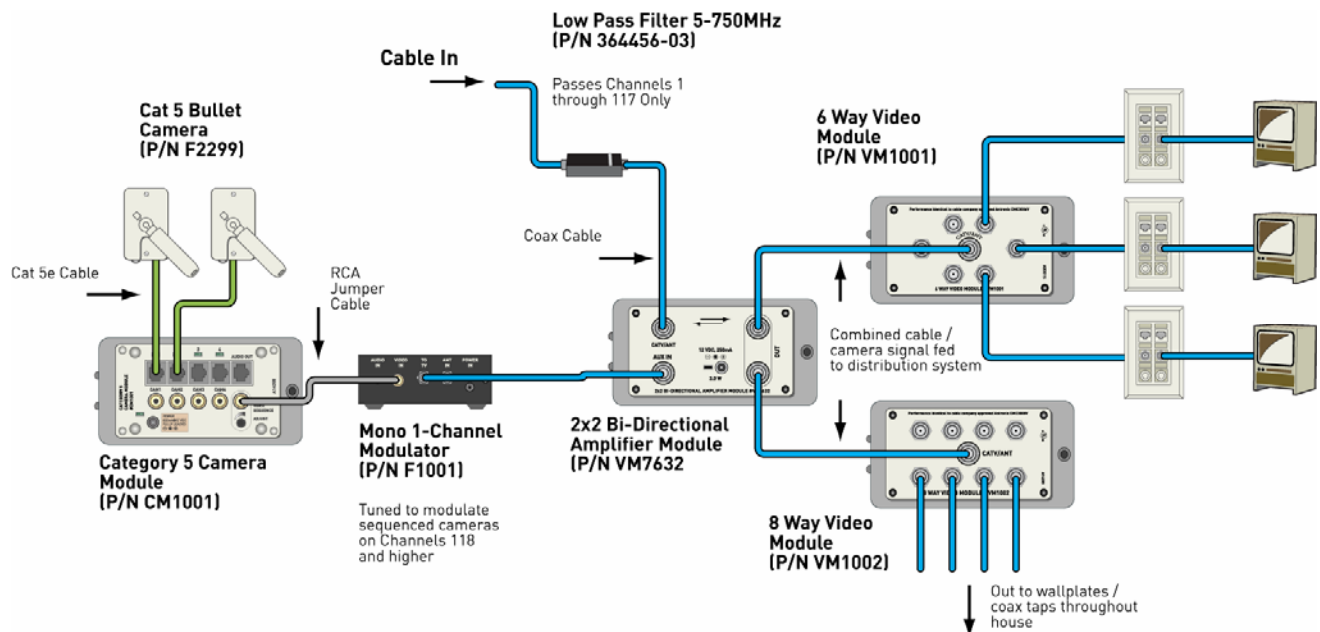


Figure 3