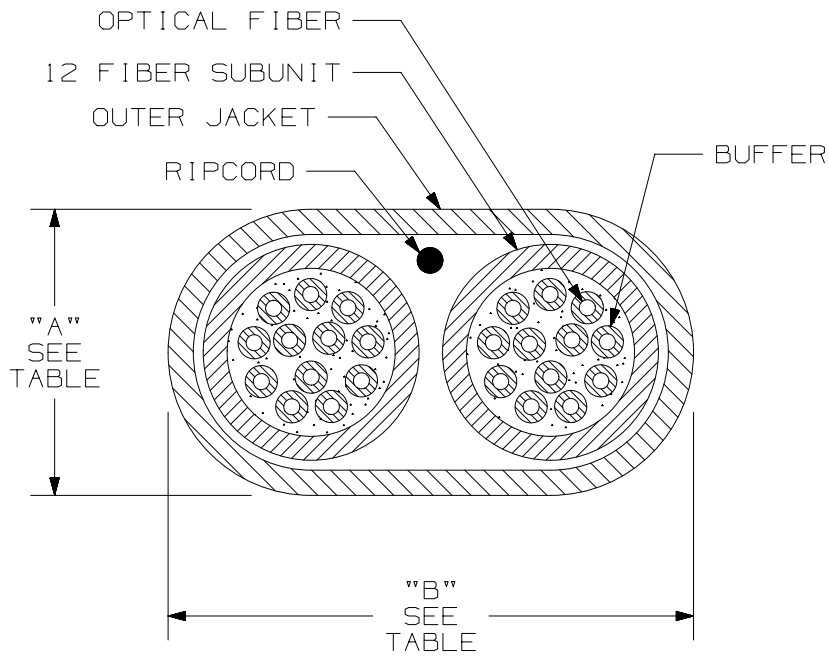


THIS COPY IS PROVIDED ON A RESTRICTED BASIS AND IS NOT TO BE USED IN ANY WAY DETRIMENTAL TO THE INTERESTS OF PANDUIT CORP.



| TYPE/DESCRIPTION | COLOR | MAXIMUM LOSS |
|--|-------|---|
| MULTIMODE 50/125um 10GbE 24 FIBER SIDE BY SIDE DISTRIBUTION CABLE W/900um TIGHT BUFFER | AQUA | 3.5 dB/KM @ 850nm 1.5 dB/KM @ 1300nm |

| PLENUM - FOKPX24Y | | | |
|---|---------------------|--|--|
| TENSILE LOAD | | BEND RADIUS | |
| INSTALLATION | LONG TERM | INSTALLATION | LONG TERM |
| 660 N (150 lbf) | 165 N (37.5 lbf) | 144 mm (5.7 in) | 72 mm (2.8 in) |
| CABLE DIMENSIONS | | TEMPERATURE | |
| "A" = 7.2mm [.28"] "B" = 13.4mm [.53"] | | INSTALLATION/OPERATION 0° C TO +50° C 32° F TO +122° F | STORAGE -40° C TO +65° C -40° F TO +149° F |

| RISER RATED - FOKRX24Y | | | |
|---|-------------------|--|--|
| TENSILE LOAD | | BEND RADIUS | |
| INSTALLATION | LONG TERM | INSTALLATION | LONG TERM |
| 1320 N (300 lbf) | 330 N (74 lbf) | 144 mm (5.7 in) | 72 mm (2.8 in) |
| CABLE DIMENSIONS | | TEMPERATURE | |
| "A" = 7.2mm [.28"] "B" = 13.4mm [.53"] | | INSTALLATION/OPERATION -20° C TO +50° C -4° F TO +122° F | STORAGE -40° C TO +65° C -40° F TO +149° F |

- NOTES:
1. CABLE DIMENSIONS SHOWN FOR REFERENCE ONLY.
 2. CABLE SUPPLIED IN 2500 METER (8202 FT) LENGTHS.
 3. FOR PART NUMBERS AND LENGTHS OTHER THAN THOSE SHOWN, CONTACT YOUR PANDUIT SALES PERSON.
 4. ALL MATERIALS AND COMPONENTS USED MUST MEET THE MATERIAL RESTRICTIONS OF RoHS, (EUROPEAN DIRECTIVE 2011/65/EU ON THE RESTRICTIONS OF HAZARDOUS SUBSTANCES) AS PROPOSED BY THE RoHS TECHNICAL ADAPTATION COMMITTEE.

| WEIGHT OF 2.5km REEL/BOX | |
|--------------------------|-------------------------|
| OFNP | OFNR |
| 348.2 kg (767.6 lbs) | 320.7 kg (707.0 lbs) |

| | | | |
|---|-----------------|------------------------|-------|
| PART NUMBER | | FOKPX24, FOKRX24 | |
| TITLE | | | |
| MULTIMODE 50/125um OPTI-CORE 10Gb/s OPTI-CORE 10GIG 24 FIBER SIDE BY SIDE DISTRIBUTION CABLE W/900um TIGHT BUFFER | | | |
| CUSTOMER DRAWING | | | |
| ITEM REVISION NAME | | M02055BF/02 | |
| DATASET FILE NAME | | M02055BF_DC_24-10G/02A | |
| UNLESS OTHERWISE SPECIFIED, DIMENSIONAL TOLERANCES ARE: IN (mm) | | MATERIAL: | |
| .X ± .XX ± | | .XXX ± ANGLES ± | |
| DRAWING NUMBER: | | 02055-37 | |
| THIRD ANGLE PROJECTION | DRAWING NUMBER: | | |
| DRAWN BY | | DATE | CHK |
| MC | 08-28-04 | WMA | SCALE |
| NONE | | SHT 1 OF 1 | |
| DESCRIPTION | | | SIZE |
| A. UPDATED DRAWING TITLE BLOCK. | | | A |

| REV | DATE | BY | CHK | APR | DESCRIPTION | ECN |
|-----|---------|-----|-----|------|---------------------------------|----------|
| 1 | 9/29/15 | JSP | WJM | JGSW | A. UPDATED DRAWING TITLE BLOCK. | 02055-37 |

D10100DA/14

2

1

2

1