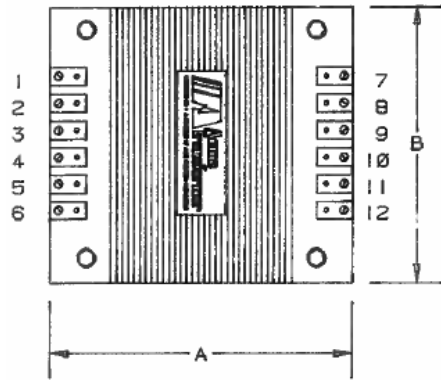
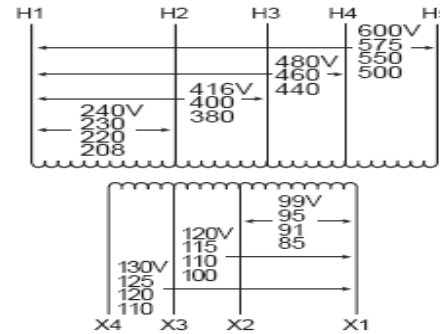
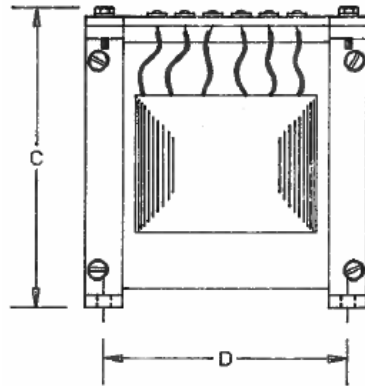
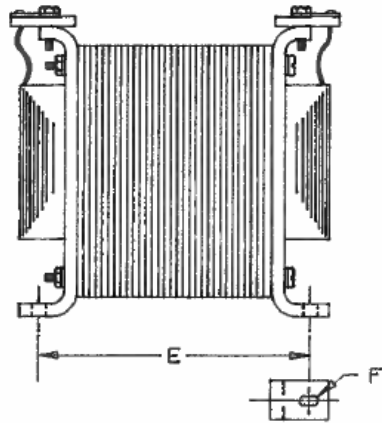


Revisions



NOTES:

1. FOR TA-2-53929 TERMINAL POSITIONS WILL BE 2,3,4,5, AND 8,,9,10,11.
2. FOR TA-2-54525 TERMINAL POSITIONS WILL BE 2,3,4,5,8, AND 7,8,9,10,11.
3. FOR TA-2-81202 TERMINAL POSITIONS WILL BE 2,3,5,6, AND 7,8,9,10,11.



VA	CATALOG NUMBER	VOLTAGE		WIRING DIAGRAM	WEIGHT	PHASE	FREQ.
		HIGH	LOW				
1500	TA-2-54525	240/416/480/600	99/120/130		55 Lbs	1φ	50/60 Hz

TYPICAL PERFORMANCE DATA

Winding Rise:	80°C
Insulation:	130°C
Windings:	CU

Standards:	UL/CSA	Markings:	
------------	--------	-----------	--

Industrial Control Transformer

Typical Efficiency:	
No Load Losses	
Full Load Losses	

A	B	C	D	E	F
6.75	7.50	7.66	6.50	5.42	.41 x .81

Type No.

Date: Nov 30, 2011