

# **BALDOR**® • **RELIANCE**

## **Product Information Packet**

# **GCP24138**

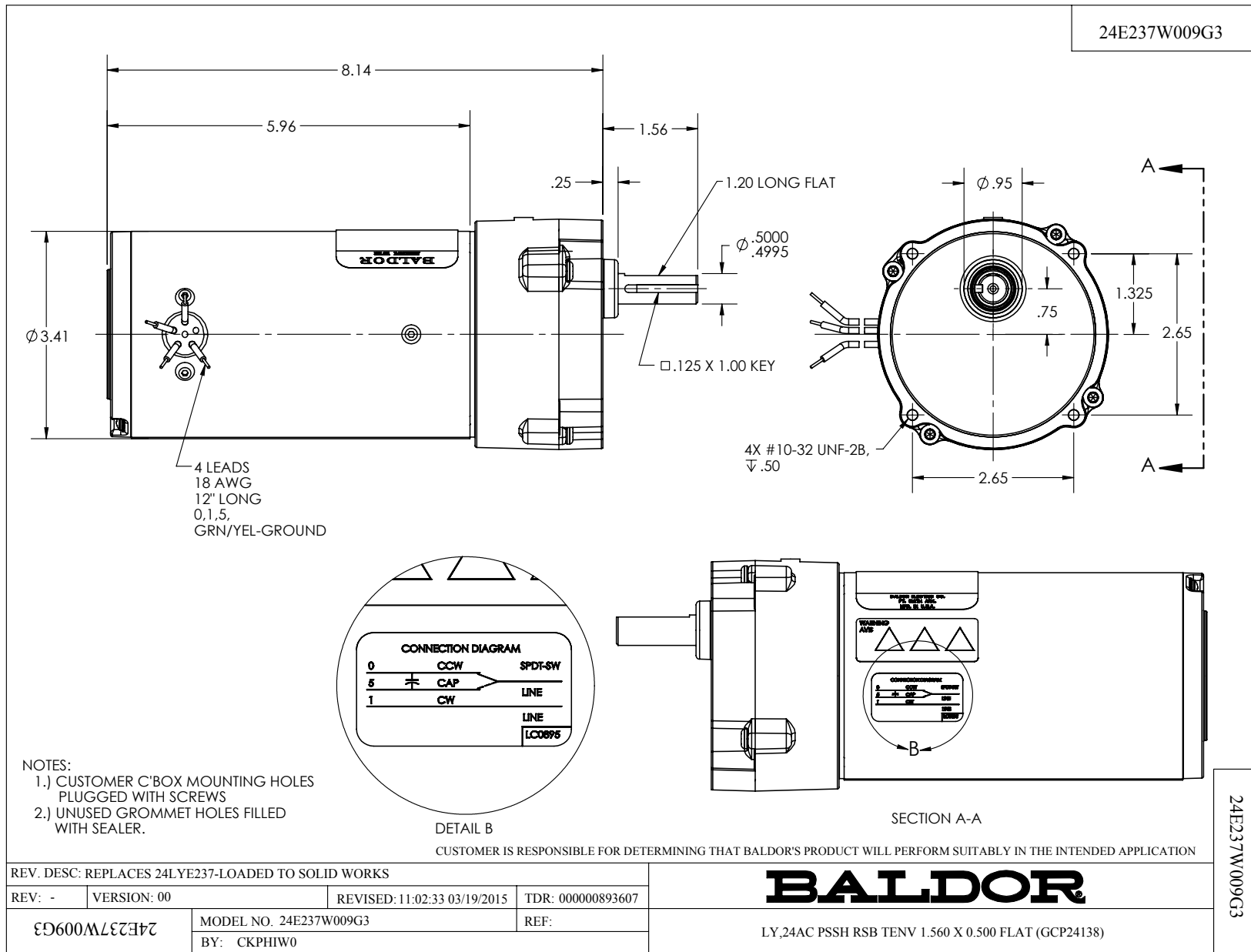
**.08HP, 1340RPM, 1PH, 50/60HZ, PSSH-0, 2424C**

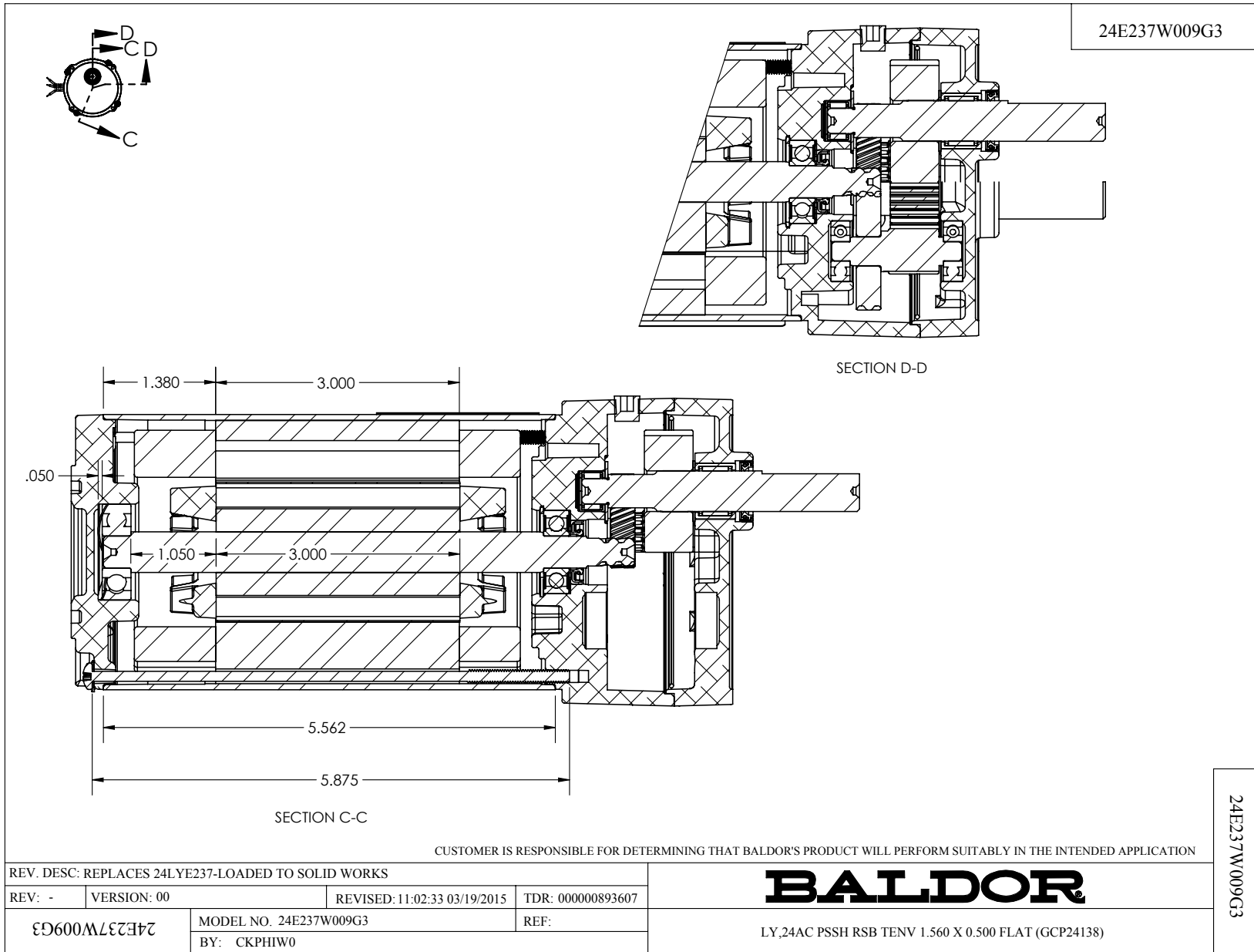
Part Detail							
Revision:	T	Status:	PRD/A	Change #:		Proprietary:	No
Type:	AC	Elec. Spec:	24WGW009	CD Diagram:	CD1018	Mfg Plant:	
Mech. Spec:		Layout:	24E237W009G3	Poles:	04	Created Date:	
Base:		Eff. Date:	09-22-2017	Leads:	3#18		

Specs			
Enclosure:	TENV		
Gearhead Type:	PARALLEL SHAFT		
Gear Ratio:	15:1		
Gear Style:	PSSH		
Connection Diagram:	CD1018		
Dimensional Drawing Numbers:	24E237W009G3		
Duty Rating:	CONT		
Frame Material:	Steel		
Insulation Class:	F		
KVA Code:	-		

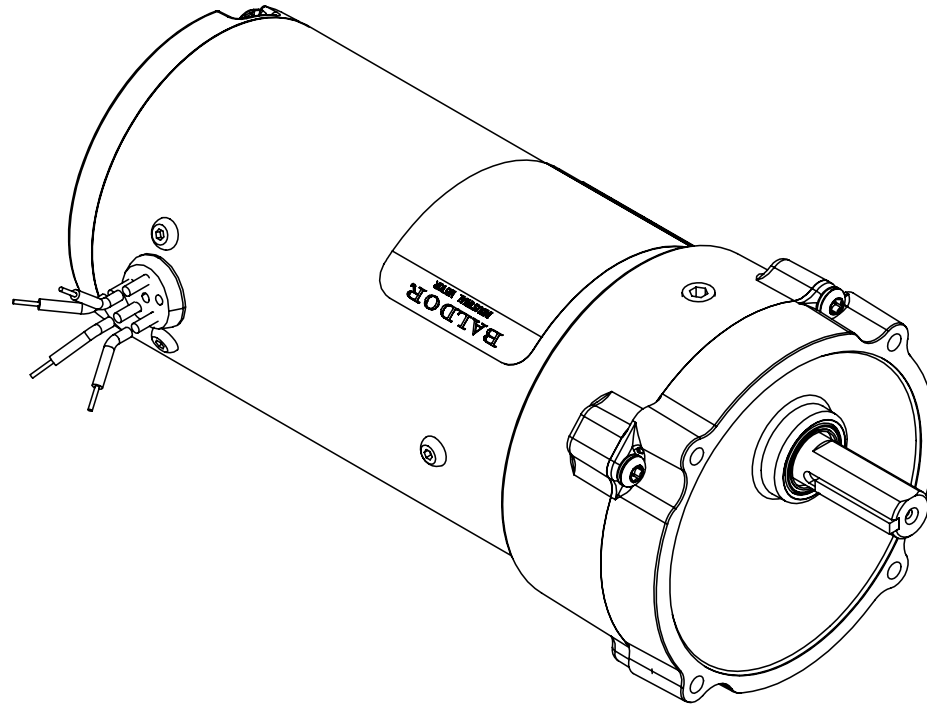
Nameplate NP1220A05			
CAT.NO.	GCP24138		
SER.NO.			
SPEC.	24E237W009G3		
HP	1/12	TE	
VOLTS	115		
AMP	1.0		
HZ	50//60	PH	1
AMB.	40	DUTY	CONT
CAP	15	CODE	-
SER.F.	1.00	CLASS	F
SF AMP	-		
R.P.M.	90//109		
TORQ/IN LB	42.8		
RATIO	15:1		
APRV-CE		APRV-CSA	
			APRV-UL

No performance data has been  
assigned to this product.





ITEM NO.	PART NUMBER	QTY.
1	HG0047A18	1
2	BMH1729	1
3	BG6000C03	1
4	HW5002A42	1
5	HW3064E05	1
6	BH1163A01	1
7	HW4600D28	1
8	HA4021A05	1
9	24SH4000C86	1
10	24RC4024A00	1
11	BG6200C03	1
12	24SB0036C49	1
13	RM1037	1
14	LEAD-1	4
15	98XN0632J02	3
16	24EP3100A05	1
17	HW5109A08	1
18	55XT0632G03	1
19	HW1003A08	2
20	HA3199A94	2
21	SG0047A14	1
22	SG0047B48	1
23	CG0001A01	1
24	RM1020A21	1
25	BH1163A02	1
26	HW4600C29	1
27	60XM0832A08	4
28	BMH2764	1
29	NP1220A05	1
30	LB1451	1
31	LC0895	1



24E237W009G3

24E237W009G3

CUSTOMER IS RESPONSIBLE FOR DETERMINING THAT BALDOR'S PRODUCT WILL PERFORM SUITABLY IN THE INTENDED APPLICATION

REV. DESC: REPLACES 24LYE237-LOADED TO SOLID WORKS

REV: -    VERSION: 00    REVISED: 11:02:33 03/19/2015    TDR: 000000893607

24E237W009G3

MODEL NO. 24E237W009G3

BY: CKPHIW0

REF:

**BALDOR**

LY\_24AC PSSH RSB TENV 1.560 X 0.500 FLAT (GCP24138)

