

► Model TELB

TelCom® Telephone Extension Ringer Bell



Federal Signal's TELB TelCom® Extension Ringer Bell is a vibrating bell activated by the ringing signal of a telephone system. The TELB is specifically designed for use with an analog telephone. The ringing signal of 40-150VAC, 16-60Hz and local 120VAC power is all that is required to activate a TelCom signal.

This TelCom device is intended to be mounted on a vertical surface such as a rigid wall or post. The TELB has a three-conductor six-foot, 120VAC power cord extending from the unit. Connecting the TelCom device to the telephone network is done by running a modular telephone line cord (RJ11) to an existing jack or a duplex jack (customer supplied) into an existing modular jack. The TELB is designed with a durable zinc die-cast housing painted with gray powder coat enamel, and features an internal solid-state relay.

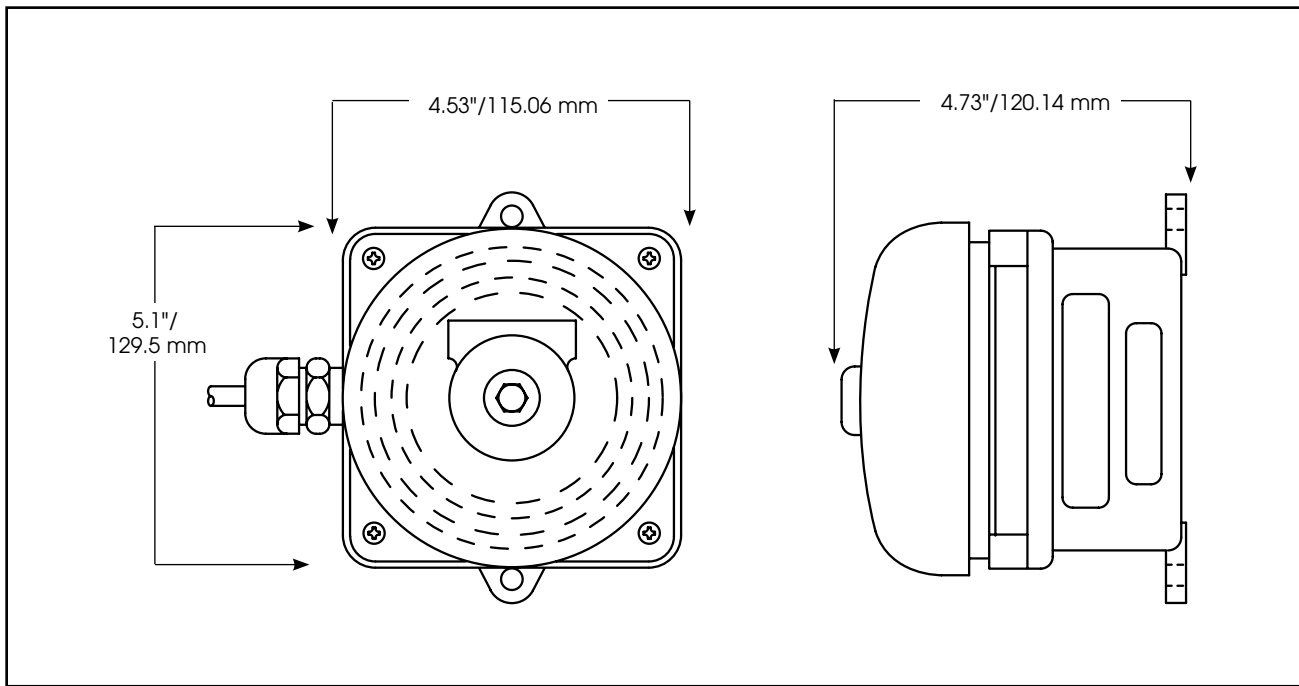
TelCom devices are designed for high ambient noise areas such as manufacturing facilities, machine and sheet metal shops. They are also useful in large open areas such as a warehouse, loading dock, or a large office.

FEATURES

- Available in 120VAC
- Bell signals an incoming call
- Activated by ringing voltage (analog telephone only)
- 98 dBa signal @ 10' (108 dBa @ 1m)
- Type 1 enclosure
- CSA Certified
- UL Listed for indoor use

MODEL	VOLTAGE	OPERATING CURRENT	DECIBELS	
			10'	1M
TELB-120	120VAC	0.104 amps	98	108

TelCom® Telephone Extension Ringer Bell (TELB)



S P E C I F I C A T I O N S

Operating Temperature:	32°F to 112°F	0°C to 44°C
Ringing Signal:		90VAC, 20Hz
Ring Detection:		15.8-60Hz, 40-150VAC
Humidity Range (Storage and Operating):		0 to 85% R.H, noncondensing
Net Weight:	2.6 lbs	1.18 kg
Shipping Weight:	3.2 lbs	1.45 kg
Height:	5.10"	129.54 mm
Width:	4.53"	115.06 mm
Depth:	4.73"	120.14 mm

H O W T O O R D E R

Specify Model:**TELB-120** – TelCom® 4" bell, 120VAC