

4-POST OPEN FRAME RACK



INDUSTRY STANDARDS

UL 2416 Listed; File No. E230874
cUL Listed per CSA C22.2 No. 182.4; File No. E230874

EIA 310-D

APPLICATION

4-Post Open Frame Racks combine the mounting security of a cabinet with the accessibility of a rack. Used in communication, server, and telecommunication room applications, these adjustable-depth racks support deeper, heavier network equipment and can be ganged with standard 2-post or other 4-post racks to expand existing systems.

Standard Product

Catalog Number	AxB mm	AxB in.	Mounting Hole Type	Rack Units	Nominal Frame Height A	Finish
E4DR19FM38U	1829 x 514	72.00 x 20.25	Tapped	38	6 ft.	Black
E4DR19FM45U	2134 x 514	84.00 x 20.25	Tapped	45	7 ft.	Black
E4WR19FM45U	2134 x 514	84.00 x 20.25	Tapped	45	7 ft.	White
E4DRS19FM45U	2134 x 514	84.00 x 20.25	Square	45	7 ft.	Black
E4WRS19FM45U	2134 x 514	84.00 x 20.25	Square	45	7 ft.	White
E4DR19FM51U	2438 x 514	96.00 x 20.25	Tapped	51	8 ft.	Black
E4DRS19FM51U	2438 x 514	96.00 x 20.25	Square	51	8 ft.	Black

FEATURES

- Depth adjustable 450 mm to 1050 mm (17.7 in. to 41.3 in.) in 25-mm (.98-in.) increments
- EIA universal 5/8 - 5/8 - 1/2 in. spaced 12-24 tapped holes or .375-in. square holes fit 19-in. rack equipment
- Compatible with 19-in. rack accessories
- Available with nominal frame height of 6, 7 and 8 ft.
- RU markings on both front and back of tapped-hole uprights make it easier to mount equipment
- Floor mounting holes predrilled at .750-in. diameter
- 12-24 rack mounting screws (pkg. of 20) included with tapped-hole model
- For square hole model, order screws and cage nuts separately
- Can be ganged with both 2- and 4-Post Open Frame Racks
- Includes complete assembly instructions
- Shipped unassembled for convenient transport to job site

SPECIFICATIONS

- Uprights on the tapped-hole model are made of lightweight extruded aluminum (6063-T6 alloy) and include RU markings on both front and back of uprights
- Uprights on the square-hole model are made from 12 gauge steel
- Top and bottom angles made of extruded aluminum (6063-T6 alloy)

FINISH

Smooth RAL 9005 black polyester powder paint finish or RAL 9003 white polyester powder paint finish

LOAD RATING

2500 lb. (1134 kg)

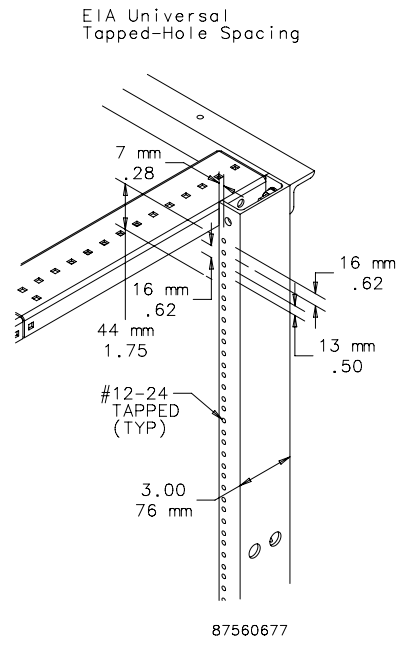
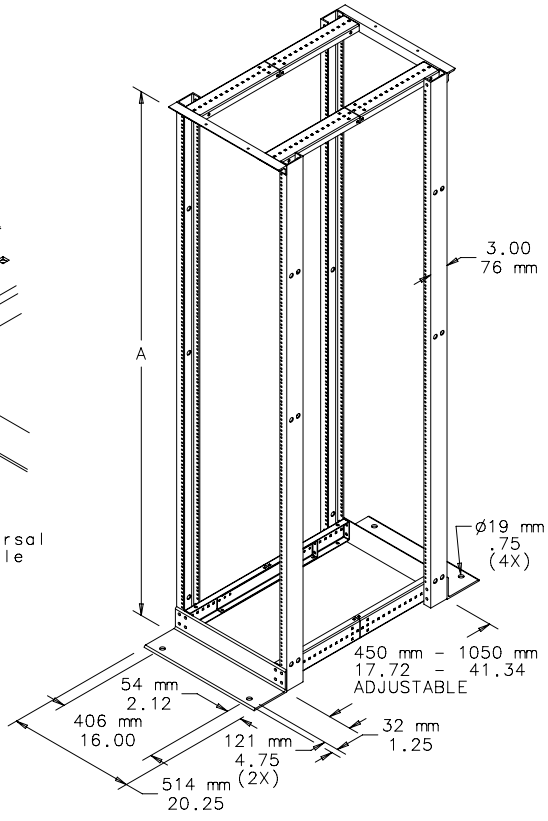
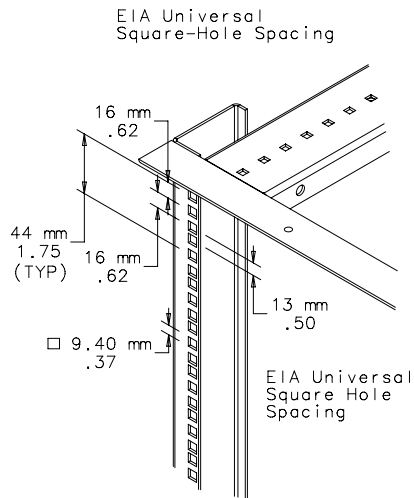
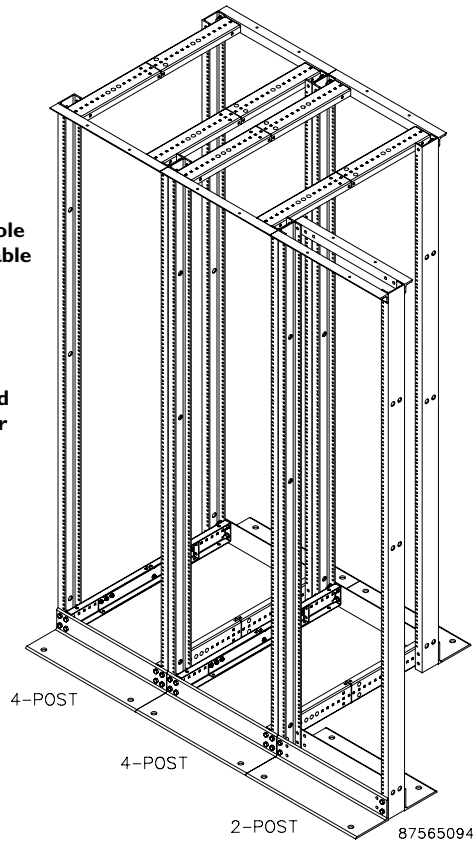
PATENTS

6,655,533 (U.S.A.)

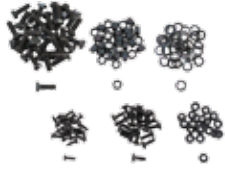
BULLETIN: DOFR4

Both tapped and square hole models available
(tapped hole model shown)

4-post racks can be ganged with 2-post or other 4-post racks



4-POST OPEN FRAME RACK HARDWARE KIT



Kit consists of (20) .357-16x1.75 carriage bolts; (20) 1/4-20 hex flange nuts; (32) 3/8-16x1.00 hex head screws; (32) 3/8-16 hex nuts; and (32) 3/8 split washers.

BULLETIN: DOFRY

Standard Product

Catalog Number	Description
E4PKIT	4-Post Open Frame Rack hardware kit

4-POST OPEN FRAME RACK FRONT-TO-BACK KIT



Kit consists of (4) depth brackets; (2) adjustable depth brackets; (8) 1/4-20 hex flange nuts; (8) .375-16x1.75 carriage bolts; (8) 3/8-16x1.00 hex head screws; (8) 3/8-16 hex nuts; and (8) 3/8 split washers.

BULLETIN: DOFRY

Standard Product

Catalog Number	Description
E4FBKIT	4-Post Open Frame Rack front-to-back kit

4-POST OPEN FRAME RACK ISOLATION KIT



Kit consists of (2) isolator bases and (4) nylon bushings.

BULLETIN: DOFRY

Standard Product

Catalog Number	Description
A19ESOK4	4-Post Open Frame Rack isolation kit

