

Industrial fittings  
-V-Spring® telescoping safety light pole

CROUSE-HINDS  
SERIES

Increase safety  
and decrease  
labor costs



**EATON**

*Powering Business Worldwide*



# Designed for safety.

Whether it's a new installation or a replacement project, lighting maintenance tasks can be dangerous, labor intensive and costly.

## Make your job safer, faster and easier with V-Spring telescoping light poles.

The new, patent-pending V-Spring telescoping light pole from Eaton's Crouse-Hinds business increases safety and decreases labor costs associated with lighting installation and routine maintenance.

Its innovative design allows for all work to safely take place on the platform or walkway, eliminating the need for portable ladders and fall protection equipment.

### Application

- For luminaires installed on industrial walkways, platforms, stairways and conveyors where OSHA/HSE regulations require fall prevention equipment
- Hard to reach or dangerous areas where safety is a big concern
- Hazardous and harsh environments subject to corrosive agents, vibration and extreme temperatures

Introducing

# -V-Spring<sup>®</sup>

Install and maintain lighting fixtures without ever leaving the ground.



## Product specifications

### Construction

- Telescoping
- Factory sealed and pre-wired

### Installed height

- Adjustable raised height

### Certifications

- UL1598
- CSA C22.2 No. 250.0-08
- cULus listed for Class I, Division 2, Class II, Division 2 when used with Champ® series luminaires

### Environmental ratings

- Dusttight
- NEMA 4, IP66
- Wind rated to 230 mph per AASHTO standards

### Vibration

- DNV No. 2.4: 2006
- IEC 60068-2-6: 2007

## Materials

### Light pole options

- Structural steel: A36-500
- Hot dip galvanized: ASTM 123
- Aluminum: T6061
- Stainless steel: 316 grade

### Compression spring

- Stainless steel

### Hardware

- Xylan 1400 coated for corrosion protection

### Cable

- 12/3 AWG\* UL/CSA Listed
- 600V, -40°C to 105°C
- Sun- and oil-resistant, FT1, FT2
- ROHS II Reach

### Weather cover

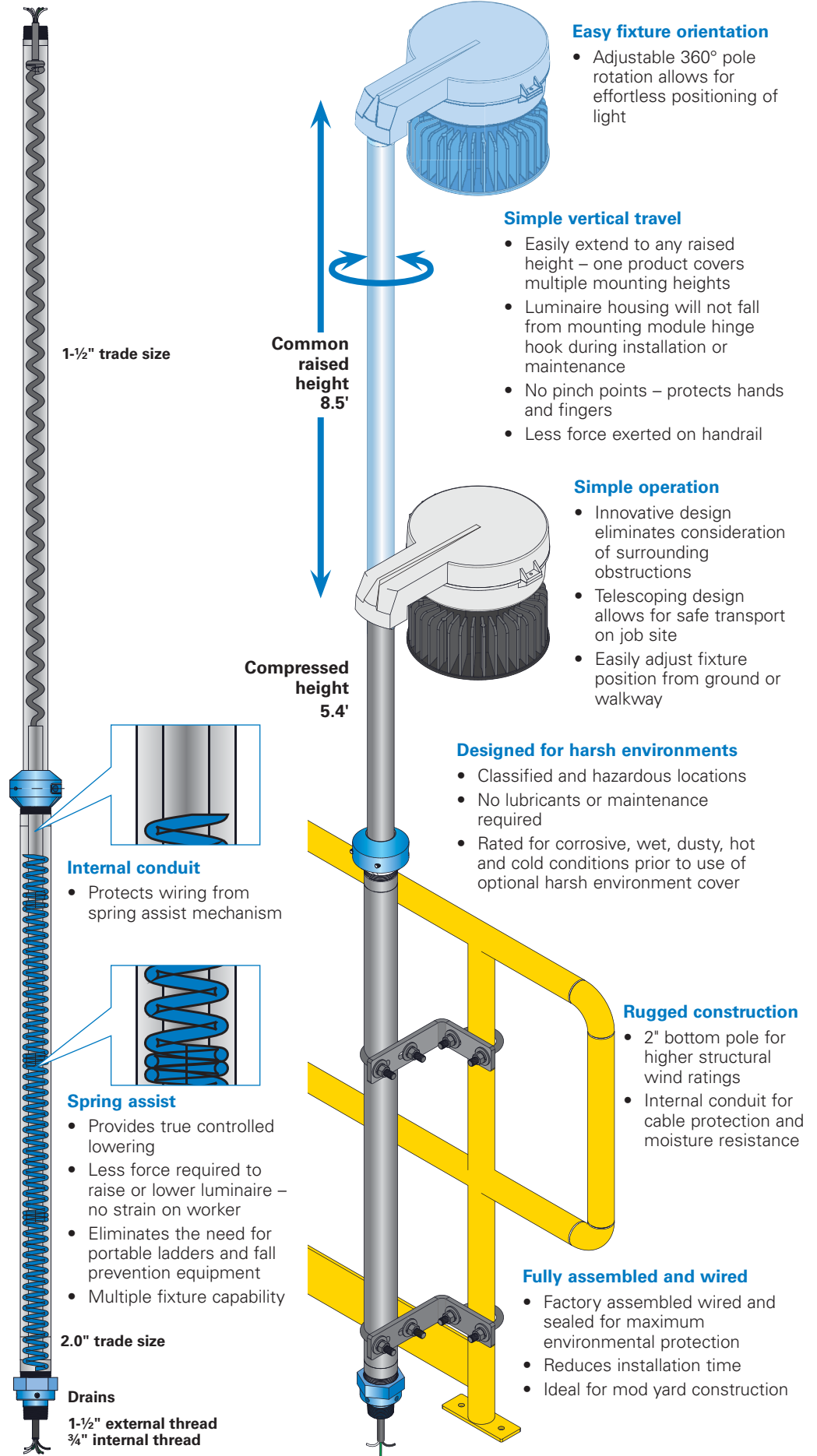
- 60 Duro high UV-resistant EPDM

## Weights

- Handrail stanchion and wall models:
  - Structural steel: 42 lbs.
  - Aluminum: 23 lbs.
- Base/structural model:
  - Structural steel: 70 lbs.
  - Aluminum: 34 lbs.

### Maximum luminaire weight

- 50 lbs. (recommended weight for one person operation)



\* IEC version available upon request

# Safety by design

Maintaining lighting in industrial facilities is often a complex and costly task, as the majority of the fixtures are in dangerous and difficult to reach locations. For lights in elevated locations, OSHA/HSE regulations require fall prevention equipment any time a worker is exposed to a fall of six feet or greater.

While personal protection equipment will help protect workers from threat, there is still a risk of injury from a fall. Preventing the worker from being exposed to the threat altogether is the most effective risk-reduction measure.

Transition from protecting the worker to **eliminating the risk.**

## All work takes place on the ground

- Spring assistance allows the luminaire to be lowered safely and easily – **eliminating the need for portable ladders and fall prevention equipment.**

## Vertical travel reduces force and stress

- When compared to 45 degree lowering systems, the V-Spring's spring assisted vertical movement requires **65% less force to raise or lower and removes mechanical stress on the handrail by over 300%.**

## Luminaire housing will not fall

- The vertical travel of the V-Spring allows the luminaire housing to properly hang from the mounting module hinge during installation and maintenance. **No risk of dropped or falling ballasts.**

## No pinch points

- The V-Spring locking collar has no rotating parts during operation, **protecting hands and fingers from injury.**

**#1** The most frequently cited OSHA violation is fall protection



**34%** of worker deaths on construction sites are from falls

Source: Occupational Safety & Health Administration (OSHA)

yesterday's problem



today's solution

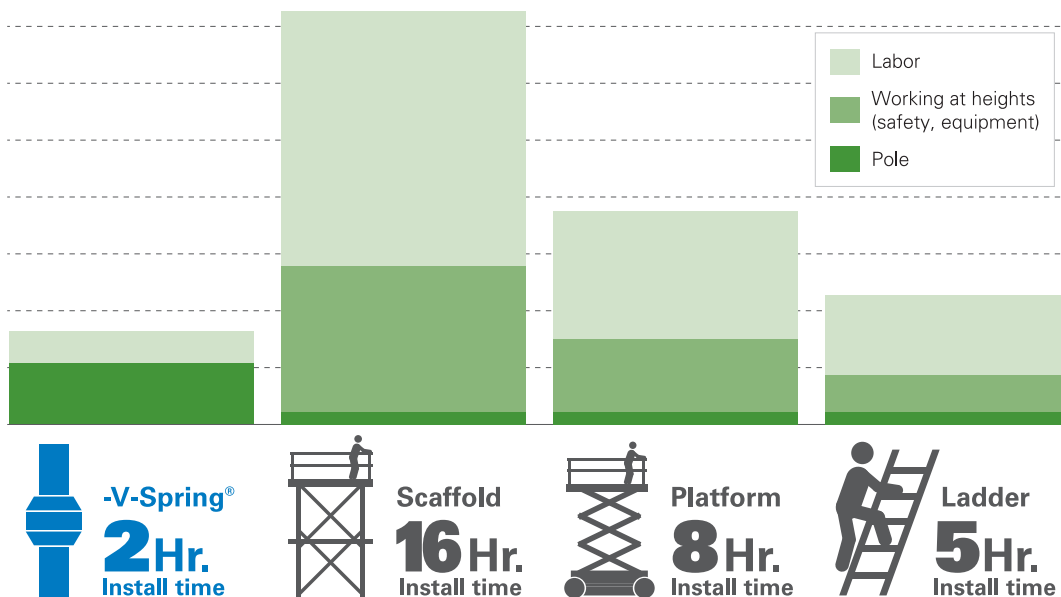




# Significant cost savings

## Reduce initial and long-term costs

### Total installation cost



**Protect what's important**

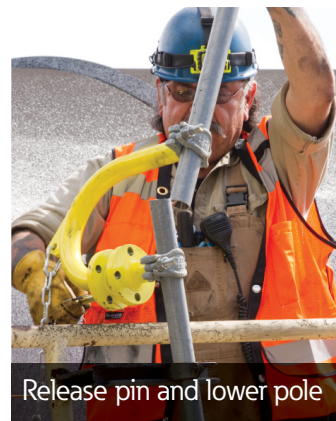
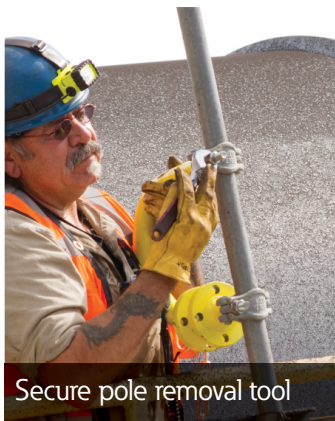
Every \$1 invested in safety returns \$3 to \$6

Source: Liberty Mutual Institute for Safety

The only pole replacement solution listed for classified and hazardous locations.

## Replacement made easy

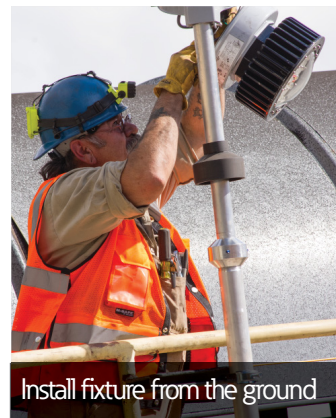
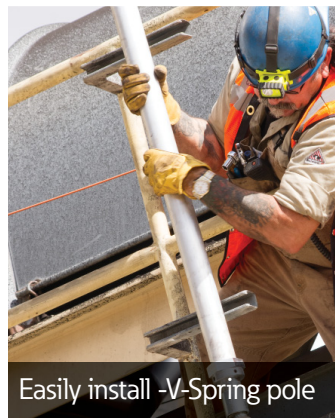
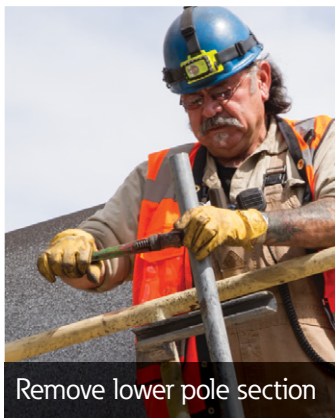
If you are looking to upgrade your facility's lighting technology, use the V-Spring telescoping pole as a labor-saving installation tool. With our pole removal tool, the V-Spring can easily replace existing lighting systems, allowing you to quickly and safely install your new luminaires from the ground.



Replacement labor costs can be reduced by 30-50% with this approach, as the high cost of working at heights is avoided.

As an added benefit, the V-Spring will deliver additional labor savings from ongoing inspection and maintenance of the luminaire throughout its life cycle!

## Complete pole replacement ensures structural integrity!



# Ordering information

Part number example

## V65H-G-JM5-T57

-V-Spring telescoping light pole, galvanized, handrail mount, assembled with optional 25° top hat and T fitting

### V65 H - G

#### Series

<b>V65</b>	V-Spring telescoping light pole
------------	---------------------------------

#### Mounting

<b>B</b>	Base
<b>W</b>	Wall
<b>H</b>	Handrail stanchion

Stanchion mounting kits must be ordered separately. See table below for options.

#### Handrail mounting kits

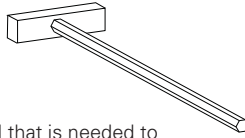
<b>MHK-RTG</b>	Tubular rail, galvanized
<b>MHK-RTS</b>	Tubular rail, stainless
<b>MHK-RAG</b>	Angled rail, galvanized
<b>MHK-RAS</b>	Angled rail, stainless
<b>MHK-RIG</b>	Incline rail, galvanized
<b>MHK-RIS</b>	Incline rail, stainless

#### Material

<b>G</b>	Galvanized steel
<b>A</b>	Aluminum
<b>S</b>	316 stainless steel

#### Harsh environment cover

<b>BLANK</b>	No cover
<b>C</b>	Installed cover for locking collar



All that is needed to operate is 1/4" allen wrench

### - JM5 - T57

Labor savings options  
Minimum order quantity: 10 pieces

#### Fitting\*

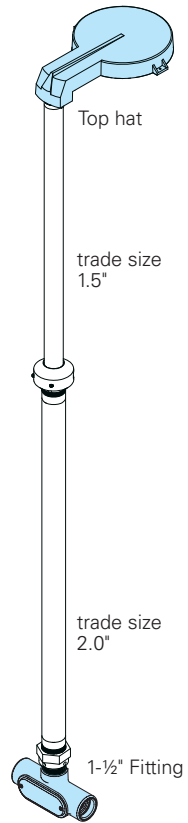
<b>T57</b>	Form 7 – 1-1/2"
<b>T58</b>	Form 8 – 1-1/2"
<b>T59SX77</b>	Mark 9 (aluminum with ground screw) – 1-1/2"
<b>T57SA</b>	Form 7 (aluminum) – 1-1/2"

\*Contact factory for additional labor saving options

#### Top hat\*

<b>JM5</b>	25° angled top hat
<b>PM5</b>	Straight top hat

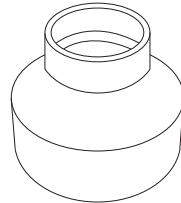
\*For Champ® series luminaires only



### Accessories (ordered separately)

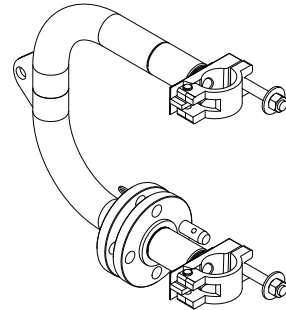
#### Harsh environment cover

<b>EC65</b>	Harsh environment cover for locking collar
-------------	--------------------------------------------



#### Pole removal

<b>PRT</b>	Pole removal tool
------------	-------------------



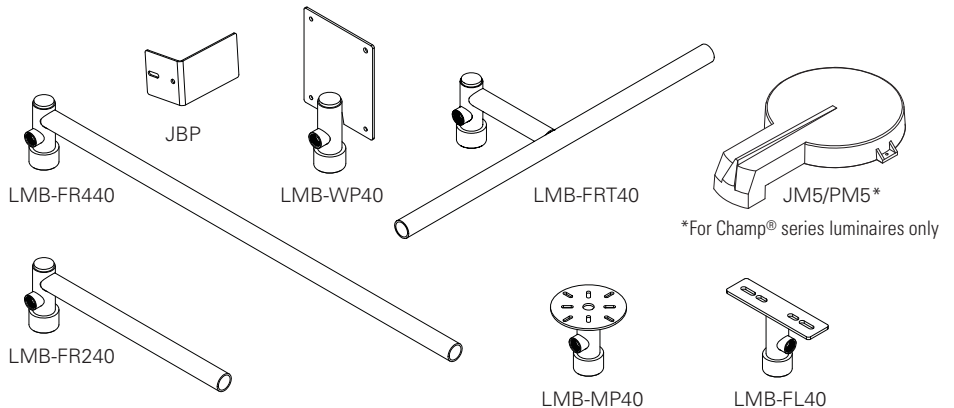
## Luminaire mounts

#### Luminaire mounts - galvanized steel

<b>LMB-FR240</b>	2 ft. (610 mm) fluorescent clamp-on
<b>LMB-FR440</b>	4 ft. (1200 mm) fluorescent clamp-on
<b>LMB-FRT40</b>	3 ft. (920 mm) fluorescent clamp-on, cross arm
<b>LMB-WP40</b>	Multi-purpose bolt-on, vertical
<b>LMB-MP40</b>	Multi-purpose, bolt-on, horizontal
<b>LMB-FL40</b>	Floodlight bolt-on
<b>JBP-G</b>	Junction box plate

#### Champ® only luminaire mounts - aluminum

<b>JM5</b>	25° angled top hat
<b>PM5</b>	Straight top hat

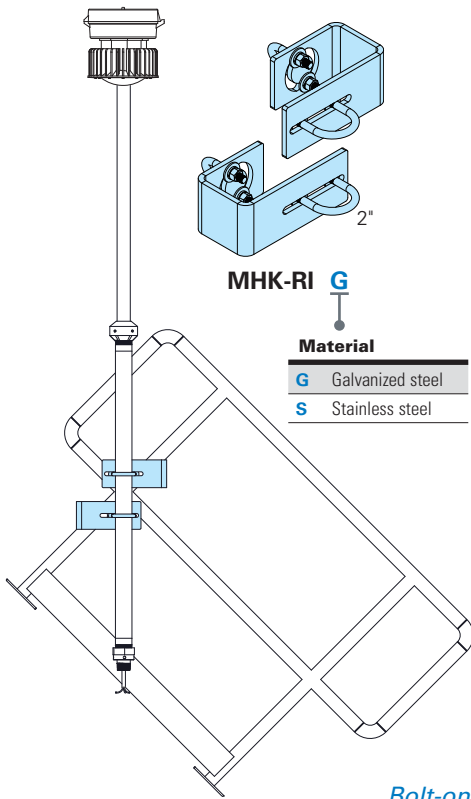


\*For Champ® series luminaires only

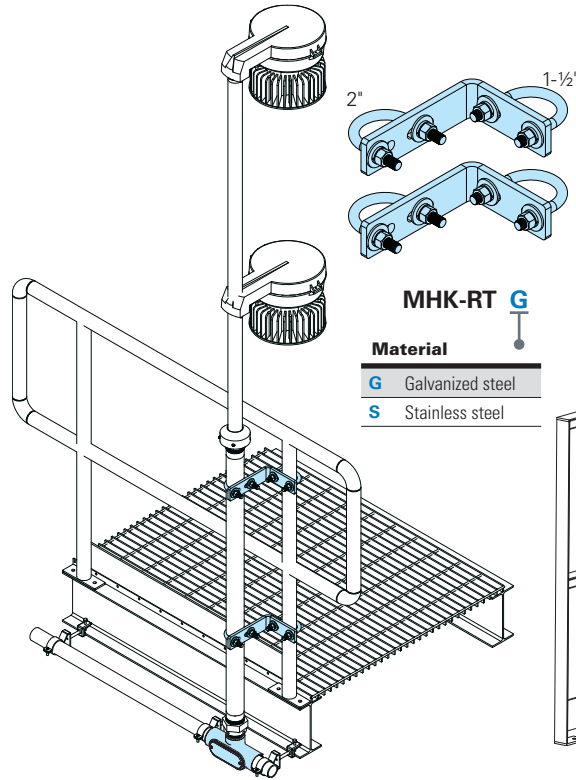
Contact factory for aluminum or stainless options.

# Installation options

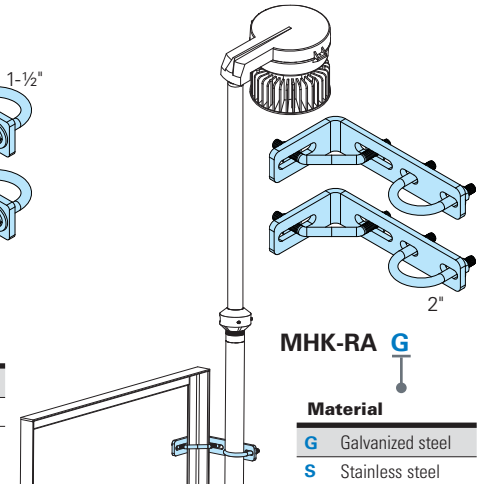
## Inclined rail mount



## Universal rail mount - tubular rail

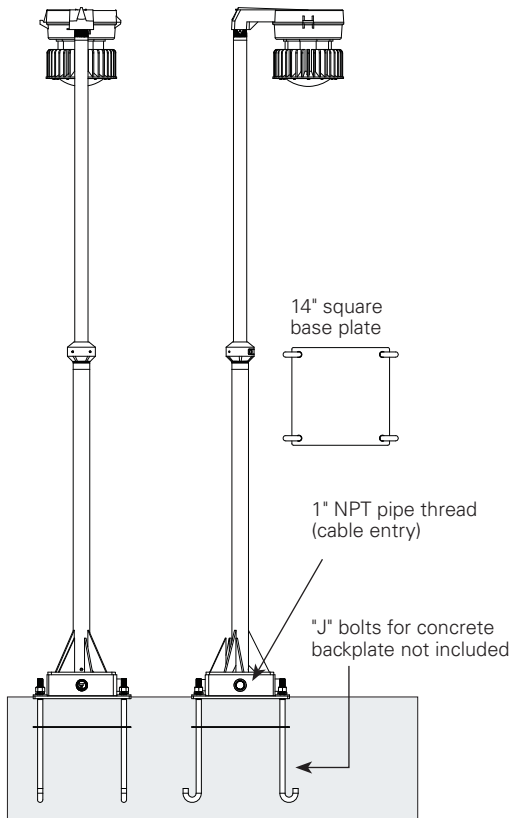


## Universal rail mount - angular

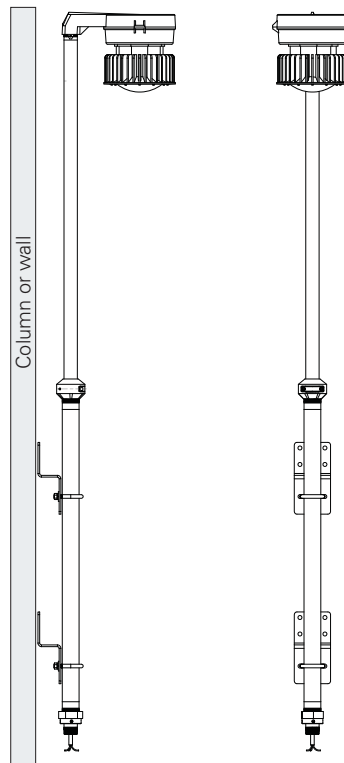


*Bolt-on (weld-less) brackets provided as a complete kit*

## Base mount



## Column/wall mount



### NOTE:

All mounting hardware for base and wall are included with pole.

Wall mount bracket included (**MHK-WG**)

For V-Spring dimensional drawings, please visit: [www.crouse-hinds.com](http://www.crouse-hinds.com)

### Configure, view and download

Configure and select products down to the SKU level, view 2D drawings and 3D models and download the models in 100+ file formats.

[www.crouse-hinds.com/cospec](http://www.crouse-hinds.com/cospec)

**U.S. (global headquarters):  
Eaton's Crouse-Hinds business**

1201 Wolf Street  
Syracuse, NY 13208

(866) 764-5454  
FAX: (315) 477-5179  
FAX Orders Only:  
(866) 653-0640

[crousecustomerctr@eaton.com](mailto:crousecustomerctr@eaton.com)

**For more information:**

If further assistance is required, please contact an authorized Eaton Distributor, Sales Office, or Customer Service Department.

**Canada**

Toll Free: 800-265-0502  
FAX: (800) 263-9504  
FAX Orders only: (866) 653-0645

**Mexico/Latin America/Caribbean**

52-555-804-4000  
FAX: 52-555-804-4020  
[ventascentromex@eaton.com](mailto:ventascentromex@eaton.com)

**Europe (Germany)**

49 (0) 6271 806-500  
49 (0) 6271 806-476  
[sales.CCH.de@cooperindustries.com](mailto:sales.CCH.de@cooperindustries.com)

**Middle East (Dubai)**

9714-8066100  
FAX: 9714-8894813  
[chmesales@eaton.com](mailto:chmesales@eaton.com)

**Singapore**

65-6645-9888  
FAX: 65-6297-4819  
[chsi-sales@cooperindustries.com](mailto:chsi-sales@cooperindustries.com)

**China**

86-21-2899-3600  
FAX: 86-21-2899-4055  
[cchsales@cooperindustries.com](mailto:cchsales@cooperindustries.com)

**Korea**

82-2-3484-6783  
82-2-3484-6778  
[CCHK-sales@cooperindustries.com](mailto:CCHK-sales@cooperindustries.com)

**Australia**

61-2-8787-2777  
FAX: 61-2-9609-2342  
[CEASales@cooperindustries.com](mailto:CEASales@cooperindustries.com)

**India**

91-124-4683888  
FAX: 91-124-4683899  
[cchindia@eaton.com](mailto:cchindia@eaton.com)

**Eaton's Crouse-Hinds**  
1201 Wolf Street  
Syracuse, NY 13208  
[Crouse-Hinds.com](http://Crouse-Hinds.com)

**Eaton**  
1000 Eaton Boulevard  
Cleveland, OH 44122  
United States  
[Eaton.com](http://Eaton.com)

© 2015 Eaton  
All Rights Reserved  
Printed in USA  
Publication No. 5161-1015  
October 2015

Eaton is a registered trademark.  
All other trademarks are property of their respective owners.