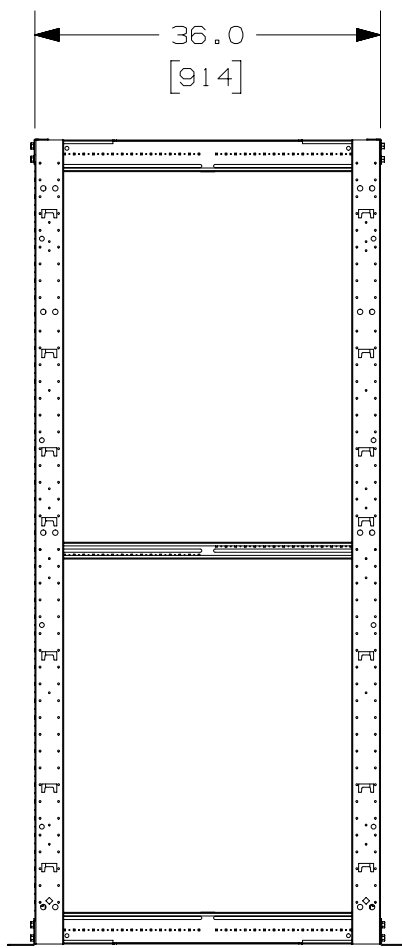
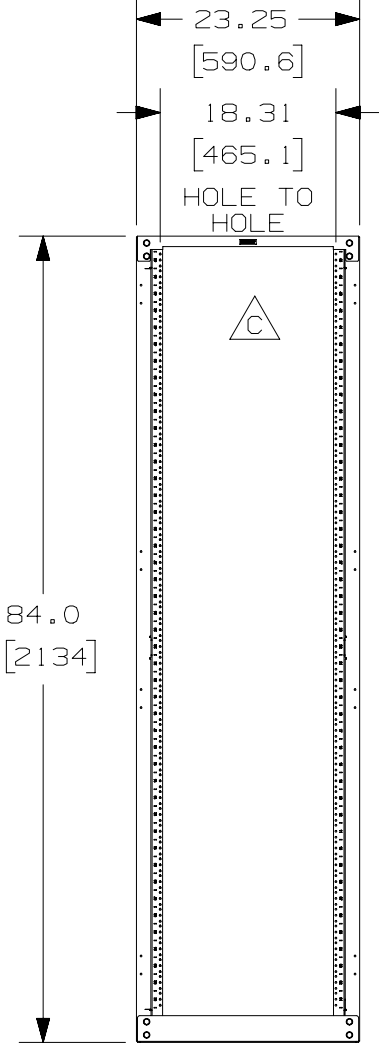


THIS COPY IS PROVIDED ON A RESTRICTED BASIS AND IS NOT TO BE USED IN ANY WAY DETRIMENTAL TO THE INTERESTS OF PANDUIT CORP.



PANDUIT P/N	WEIGHT
R4P36/R4P36WH	109 LBS/EACH 49.5 Kg/EACH
R4P36CN/R4P36CNWH	100 LBS/EACH 45.4 Kg/EACH

NOTES:

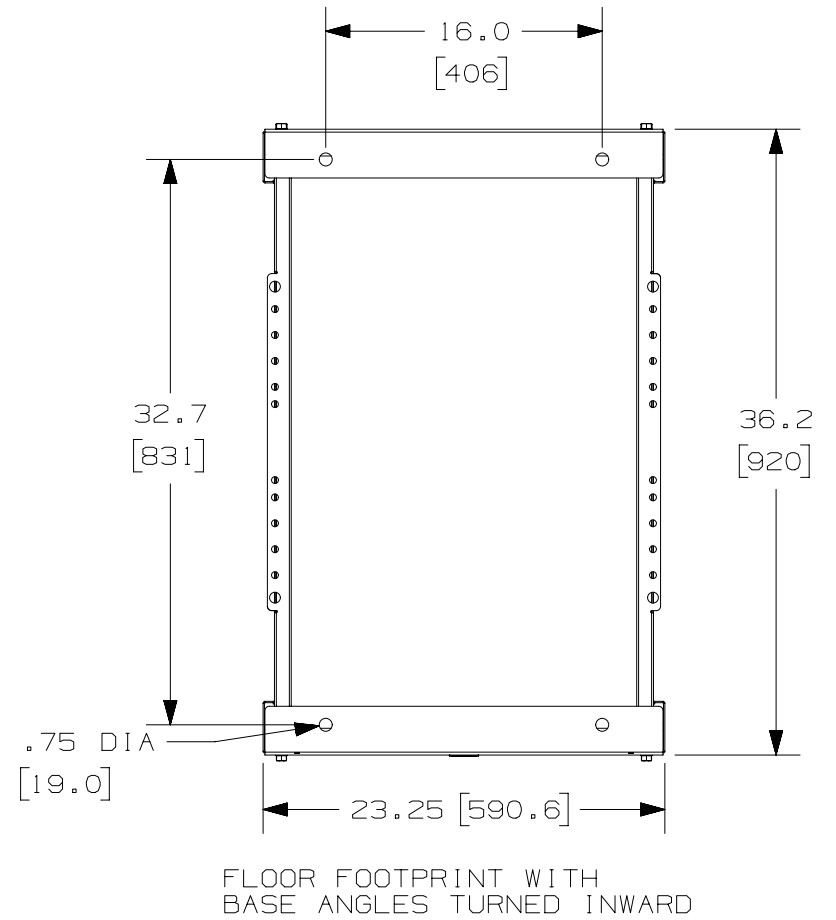
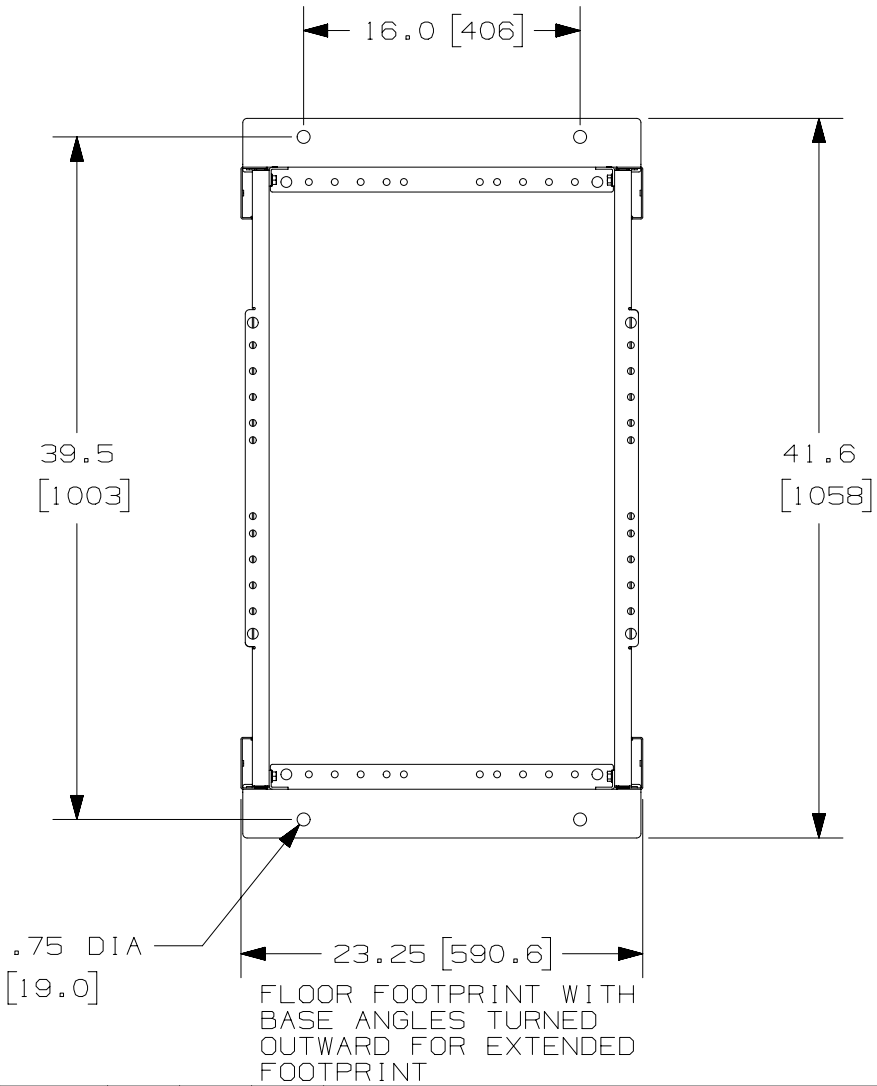
- VISIT OUR ON-LINE CATALOG AT WWW.PANDUIT.COM FOR A LIST OF CURRENT PARTS APPLICABLE FOR USE WITH THIS PRODUCT.
- DIMENSIONS IN PARENTHESIS ARE METRIC.
- INDEPENDENT ADJUSTABLE FRONT & REAR MOUNTING RAILS (EIA) ADJUST FROM 3.25" TO 36" DEPTH.
- CAN BE USED WITH ANY EIA STANDARD COMPONENT IN ADDITION TO ALL PANDUIT HORIZONTAL CABLE MANAGEMENT AND PATCH PANEL PRODUCTS.
- 45 AVAILABLE RACK SPACES.
- EIA UNIVERSAL STANDARD HOLE PROGRESSION ON FRONT CHANNELS AND REAR MOUNT RAILS .625", .625", .500", .625", .625", .500"...ETC.
- ALL RACKS WILL HAVE NUMBERS UP ORIENTATION (RU "01" ON BOTTOM, RU "45" ON TOP). INSTRUCTIONS WILL BE PROVIDED ON HOW TO GET NUMBERS DOWN ORIENTATION.
- RU SPACING NUMBERS ARE CLEARLY PRINTED ON MOUNTING RAILS.
- ALL ASSEMBLY HARDWARE INCLUDED:
 - (16) 3/8-16 X 1" HEX BOLT
 - (16) 3/8" PAINT PIERCING GROUNDING WASHER
 - (1) TUBE OF ANTI-OXIDIZING PASTE
 - (25) 12-24 X .5" SLOTTED PAN HEAD STEEL SCREW
 - (25) #12-24 CAGE NUTS (ONLY PROVIDED FOR R4P36CN)
- EASY ASSEMBLY, ONE WRENCH NEEDED TO INSTALL BOLTS INTO WELDNUTS IN ALL 8 CORNERS.
- FULLY BONDED STRUCTURE WHEN ASSEMBLED PER INSTRUCTIONS.
- LOAD RATING - 2500 LBS.



TITLE		36" DEEP 4 POST RACK	
ITEM REVISION NAME		CUSTOMER DRAWING	
DATASET FILE NAME		PANDUIT	
MATERIAL:		STEEL	
DRAWING NUMBER:		V10679AR-DC	
UNLESS OTHERWISE SPECIFIED, DIMENSIONAL TOLERANCES ARE: IN (mm)	THIRD ANGLE PROJECTION		
.X ±	.XXX ±	DRAWN BY: BAME	
.XX ±	ANGLES ±	DATE: 3-31-09	
		CHK: DSI	SCALE: NONE
REV	DATE	BY	DESCRIPTION
06A	1-8-18	BAME	JCO JEFK REALIGNED HOLES FOR PATCHRUNNER 2
05B	10-23-17	BAME	KRKE JEFK ADDED P/N'S R4P36WH AND R4P36CNWH
05A	7-12-16	AMF	BAME KRKE ADDED NOTE TO PAGE 3
ECN	SHT 1 OF 3		
			A

D10100DA/16

THIS COPY IS PROVIDED ON A RESTRICTED BASIS AND IS NOT TO BE USED IN ANY WAY DETRIMENTAL TO THE INTERESTS OF PANDUIT CORP.



REV	DATE	BY	CHK	APR	DESCRIPTION	ECN
06A	1-8-18	BAME	JCO	JEFK	SEE SHEET 1 OF 3 FOR REVISIONS	M09000HB
05B	10-23-17	BAME	KRKE	JEFK	SEE SHEET 1 OF 3 FOR REVISIONS	M09000GV
05A	7-12-16	AMF	BAME	KRKE	SEE SHEET 1 OF 3 FOR REVISIONS	M09000EF

TITLE						36" DEEP 4 POST RACK	
ITEM REVISION NAME						CUSTOMER DRAWING	
DATASET FILE NAME						PANDUIT	
UNLESS OTHERWISE SPECIFIED, DIMENSIONAL TOLERANCES ARE: IN (mm)						MATERIAL:	
.X ±						STEEL	
.XX ±						DRAWING NUMBER:	
.XXX ±						V10679AR-DC	
ANGLES ±						SHT 2 OF 3	
THIRD ANGLE PROJECTION						SIZE	
DRAWN BY		DATE		CHK		SCALE	
BAME		3-31-09		DSI		NONE	

D10100DA/16

2

1

2

1

THIS COPY IS PROVIDED ON A RESTRICTED BASIS AND IS NOT TO BE USED IN ANY WAY DETRIMENTAL TO THE INTERESTS OF PANDUIT CORP.

J-HOOKS UP TO 3/8" DIA. MAY BE MOUNTED TO RACK FROM THE FRONT OF THE TOP ANGLES

BONUS HOLES ARE FOR MOUNTING PANDUIT ACCESSORIES, SEE NOTE 1.

MOUNTING HOLES FOR OPTIONAL POWER STRIP BRACKET. BRACKETS CAN BE MOUNTED ON ANY OF THE 4 POSTS OR ADJUSTABLE RAILS.

OPTIONAL POST HOLES FOR BRACKET MOUNTING NETRUNNER

MASKED AREA FOR GROUNDING, TOP & BOTTOM OF RACK. 4 PLACES

BASE ANGLES (SEE SHEET 2 FOR MOUNTING POSITIONS)

"J" BOLT MOUNTING HOLES FOR SECURING LADDER RACK PERPENDICULAR AND PARALLEL TO 4 POST RACK.

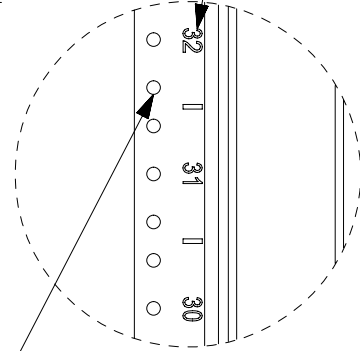
MOUNTING RAILS (ADJUSTABLE FROM 3.25" TO 36")

CUTOUTS FOR MOUNTING PANDUIT ACCESSORIES SEE NOTE 1.

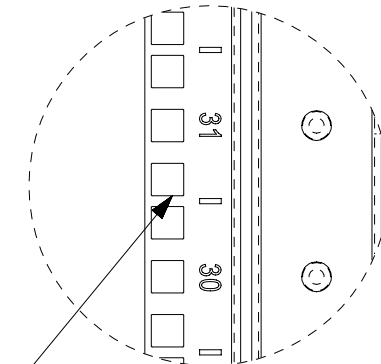
CROSS BEAMS ARE MARKED EVERY 1/2" FOR MOUNTING RAIL ALIGNMENT

MOUNTING HOLES FOR VERTICAL MANAGERS. DOUBLE HOLES ARE FOR MOUNTING PATCHRUNNER. SINGLE HOLES ARE FOR SIDE MOUNTING NETRUNNER.

RU SPACINGS ARE PRINTED ON MOUNTING RAILS



R4P36/R4P36WH RAILS HAVE TAPPED HOLES



R4P36CN/R4P36CNWH RAILS HAVE CAGE NUT HOLES

REV	DATE	BY	CHK	APR	DESCRIPTION	ECN
06A	1-8-18	BAME	JCO	JEFK	SEE SHEET 1 OF 3 FOR REVISIONS	M09000HB
05B	10-23-17	BAME	KRKE	JEFK	SEE SHEET 1 OF 3 FOR REVISIONS	M09000GV
05A	7-12-16	AMF	BAME	KRKE	SEE SHEET 1 OF 3 FOR REVISIONS	M09000EF

TITLE						36" DEEP 4 POST RACK					
CUSTOMER DRAWING											
ITEM REVISION NAME						V10679AR/06					
DATASET FILE NAME						V10679AR_DC/06A					
UNLESS OTHERWISE SPECIFIED, DIMENSIONAL TOLERANCES ARE: IN (mm)						MATERIAL:					
.X ±						.XXX ±					
.XX ±						ANGLES ±					
						THIRD ANGLE PROJECTION					
DRAWN BY						DATE		CHK	SCALE	DRAWING NUMBER:	
BAME						3-31-09		DSI	NONE	V10679AR-DC	
										SHT 3 OF 3	
										SIZE	
										A	

D101000DA/16