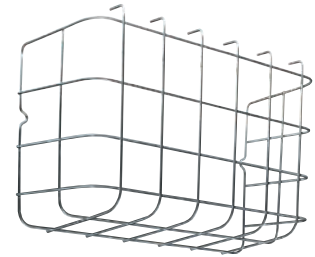




Glare Shield



Clear Shield

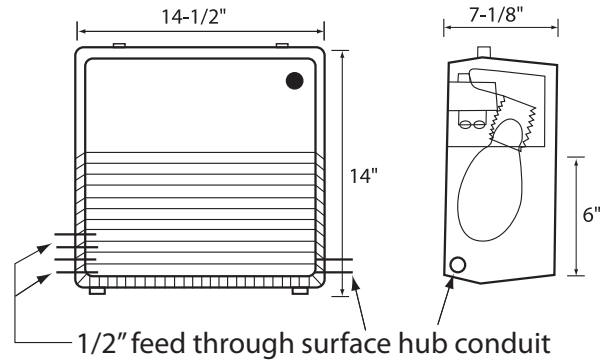


Wire Guard

ORDERING INFORMATION

| HPS, MH, MHP ORDERING INFORMATION* | | | | |
|------------------------------------|-----------|----------------------|-----------------|-------------|
| CATALOG NUMBER | LAMP TYPE | VOLTAGE [Ⓛ] | T-CODE AT 400 C | |
| KWPS050 | 50 HPS | QUAD | 2150C (T2D) | |
| KWPS055 | S-68 | 480 | | |
| KWPS070 | 70 HPS | QUAD | 2150C (T2D) | |
| KWPS075 | S-62 | 480 | | |
| KWPS100 | 100 HPS | QUAD | 2150C (T2D) | |
| KWPS105 | S-54 | 480 | | |
| KWPS150 | 150 HPS | QUAD | 2600C (T2B) | |
| KWPS155 | S-55 | 480 | | |
| KWPH070 | 70 MH | QUAD | 2000C (T3) | |
| KWPH075 | M-98 | 480 | | |
| KWPH100 | 100 MH | QUAD | 2000C (T3) | |
| KWPH105 | M-90 | 480 | | |
| E D N B L Y | KWPH170 | 175 MH | QUAD | 2600C (T2B) |
| | KWPH175 | M-57 | 480 | |
| E I S A | KWPP150 | 150 MHP | QUAD | 2600C (T2B) |
| | KWPP155 | M102/142 | 480 | |
| | KWPP170 | 175 MHP | QUAD | 2600C (T2B) |
| | KWPP175 | M137/152 | 480 | |

| KWP ACCESSORIES | |
|-----------------|---|
| CATALOG NUMBER | DESCRIPTION |
| PGPS | Clear Shield (Polycarbonate) for Protecting Lens |
| PGWG | Wire Guard, Cadmium Plated Steel |
| PVLV | Glare Shield Full Cutoff Visor - Formed Bronze Aluminum Forces light to Walkway |
| KWPLENS | Replacement Door and Lens |



[Ⓛ]For other voltages, see logic.

Photo Cell Field Kits for Harsh NEMA 4X and Class I, Div. 2 Locations*

| PHOTO CELL FIELD KITS [Ⓛ] | |
|------------------------------------|------------|
| CATALOG NUMBER | VOLTS |
| VMFSPC1 | 120VAC |
| VMFSPC2 | 208-277VAC |
| VMFSPC3 | 347VAC |



Order single gang FS back box separately. Can be used to control several luminaires.

* 40°C ambient max. T3 to 400W max.

[Ⓛ] Includes factory drilled FSBC cover and gasket.