

BALDOR® • **RELIANCE**

Product Information Packet

AEM2333-4

15HP, 1760RPM, 3PH, 60HZ, 284U, 0944M, TEFC, F1

Part Detail							
Revision:	A	Status:	PRD/A	Change #:		Proprietary:	No
Type:	AC	Elec. Spec:	09WGZ997	CD Diagram:	CD0006	Mfg Plant:	
Mech. Spec:	09F947	Layout:	09LYF947	Poles:	04	Created Date:	11-08-2016
Base:	RG	Eff. Date:	03-15-2017	Leads:	3#12		

Specs			
Catalog Number:	AEM2333-4	Insulation Class:	F
Enclosure:	TEFC	Inverter Code:	Inverter Ready
Frame:	284U	KVA Code:	G
Frame Material:	Iron	Lifting Lugs:	Standard Lifting Lugs
Output @ Frequency:	15.000 HP @ 60 HZ	Locked Bearing Indicator:	Locked Bearing
Synchronous Speed @ Frequency:	1800 RPM @ 60 HZ	Motor Lead Quantity/Wire Size:	3 @ 12 AWG
Voltage @ Frequency:	460.0 V @ 60 HZ	Motor Lead Exit:	Ko Box
XP Class and Group:	None	Motor Lead Termination:	Ring Terminals
XP Division:	Not Applicable	Motor Type:	0944M
Agency Approvals:	CSA	Mounting Arrangement:	F1
	UR	Power Factor:	85
Auxillary Box:	No Auxillary Box	Product Family:	Automotive (Not For DC)
Auxillary Box Lead Termination:	None	Pulley End Bearing Type:	Ball
Base Indicator:	Rigid	Pulley Face Code:	Standard
Bearing Grease Type:	Polyrex EM (-20F +300F)	Pulley Shaft Indicator:	Standard
Blower:	None	Rodent Screen:	None
Current @ Voltage:	17.600 A @ 460.0 V	Shaft Extension Location:	Pulley End
Design Code:	B	Shaft Ground Indicator:	No Shaft Grounding

Drip Cover:	No Drip Cover	Shaft Rotation:	Reversible
Duty Rating:	CONT	Shaft Slinger Indicator:	Shaft Slinger
Electrically Isolated Bearing:	Not Electrically Isolated	Speed Code:	Single Speed
Feedback Device:	NO FEEDBACK	Motor Standards:	NEMA
Front Face Code:	Standard	Starting Method:	Direct on line
Front Shaft Indicator:	None	Thermal Device - Bearing:	None
Heater Indicator:	No Heater	Thermal Device - Winding:	None
		Vibration Sensor Indicator:	No Vibration Sensor

Nameplate NP1404E	
CAT.NO.	AEM2333-4
SPEC.	09F947Z997G1
VOLTS	460
AMP	17.6
RPM	1760
HP	15
FRAME	284U
HZ	60
PH	3
SER.F.	1.00
CODE	G
DES	B
CL	F
NEMA-NOM-EFF	92.4
PF	85
G.MIN.EFF	91
CC	010A
RATING	65C AMB-CONT
LUBRICATION	POLYREX EM
DE	6311
ODE	6208
ENCL	TEFC
SER. #	

AC Induction Motor Performance Data

Record # 60281 - Typical performance - not guaranteed values

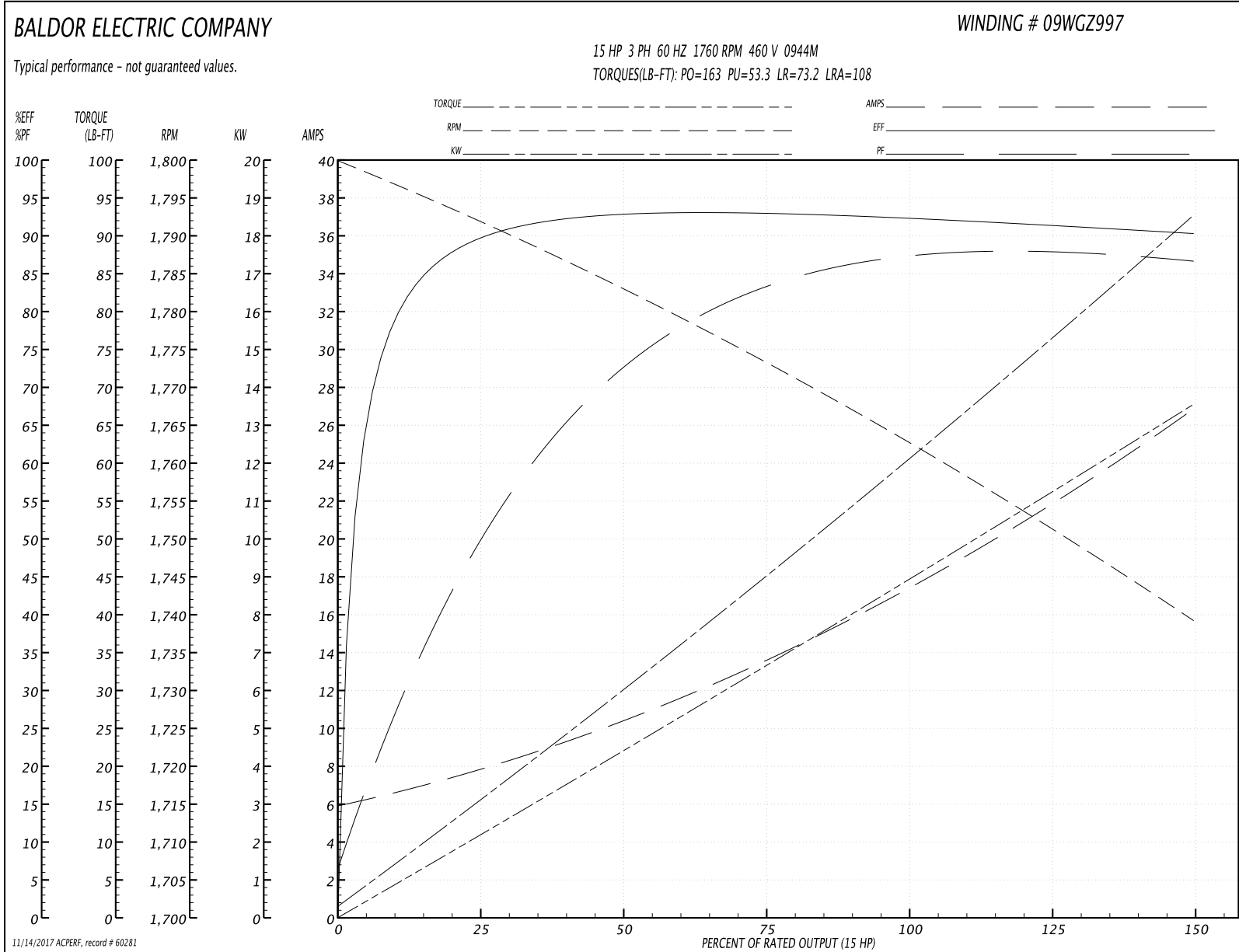
Winding: 09WGZ997-R044	Type: 0944M	Enclosure: TEFC
-------------------------------	--------------------	------------------------

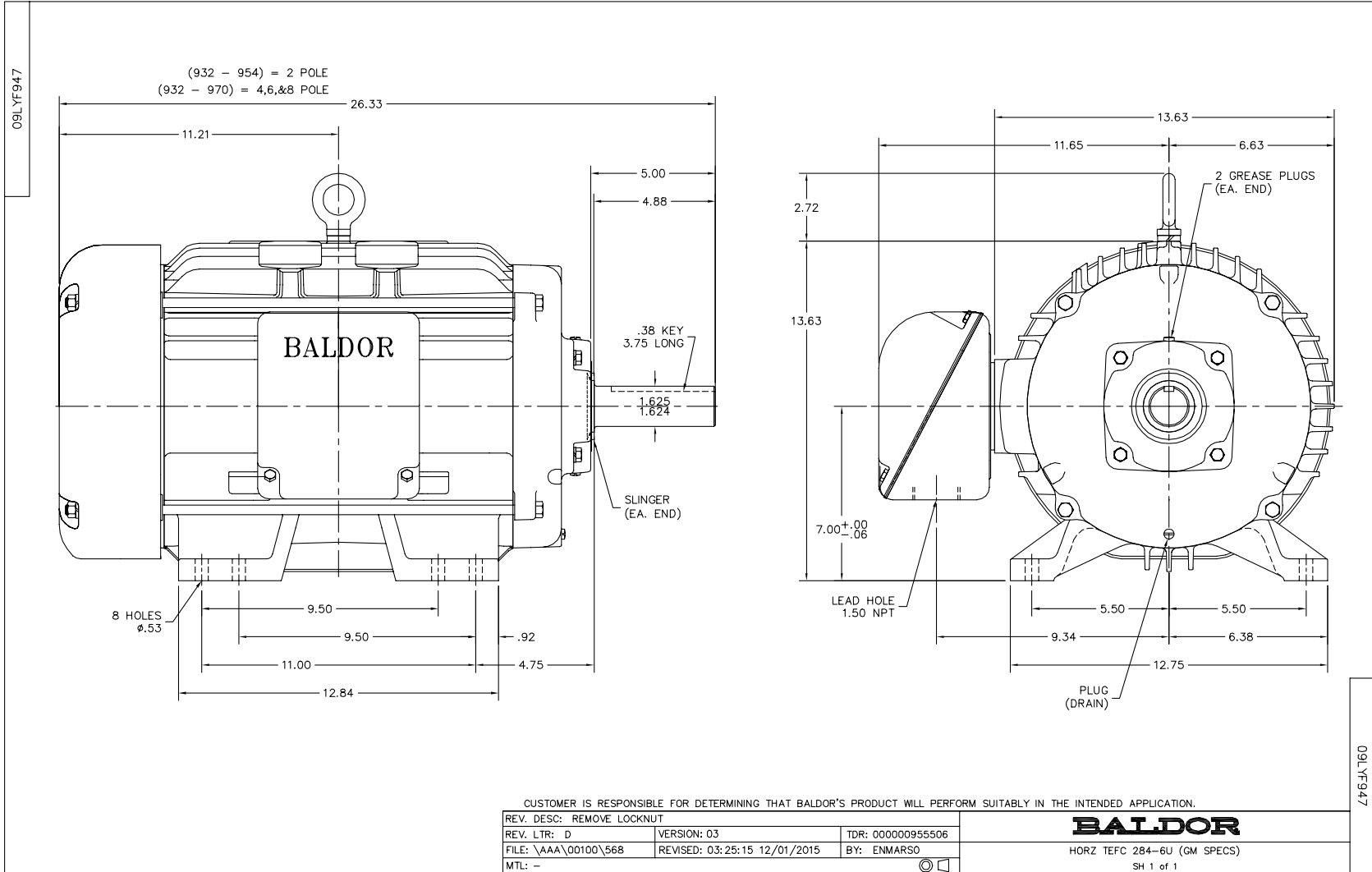
Nameplate Data				460 V, 60 Hz: Single Voltage Motor	
Rated Output (HP)	15			Full Load Torque	44.6 LB-FT
Volts	460			Start Configuration	direct on line
Full Load Amps	17.6			Breakdown Torque	163 LB-FT
R.P.M.	1760			Pull-up Torque	53.3 LB-FT
Hz	60	Phase	3	Locked-rotor Torque	73.2 LB-FT
NEMA Design Code	B	KVA Code	G	Starting Current	108 A
Service Factor (S.F.)	1			No-load Current	6.19 A
NEMA Nom. Eff.	92.4	Power Factor	85	Line-line Res. @ 25°C	0.62 Ω
Rating - Duty	65C AMB-CONT			Temp. Rise @ Rated Load	50°C
				Locked-rotor Power Factor	32.6
				Rotor inertia	1.92 LB-FT ²

Load Characteristics 460 V, 60 Hz, 15 HP

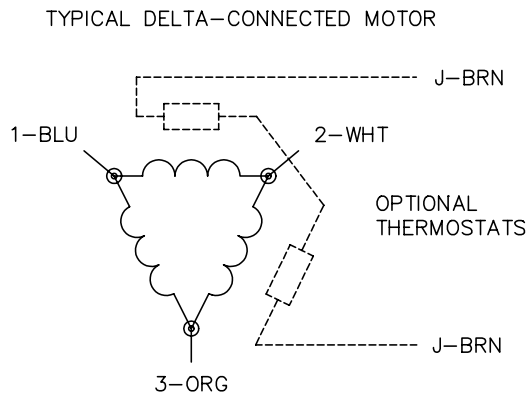
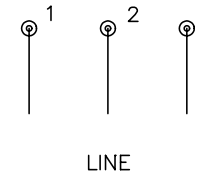
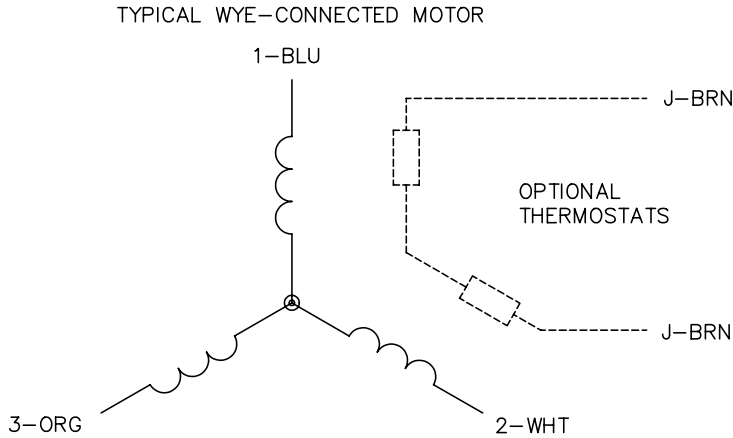
% of Rated Load	25	50	75	100	125	150
Power Factor	52	73	84	86	87	88
Efficiency	89.4	92.6	93	92.5	91.4	90.3
Speed	1792	1783	1773	1763	1752	1739
Line amperes	7.44	10.3	13.5	17.6	22	26.6

Performance Graph at 460V, 60Hz, 15.0HP Typical performance - Not guaranteed values





CD0006



NOTES:

1. THREE LEAD MOTOR MAY BE EITHER WYE CONNECTED OR DELTA CONNECTED.
2. INTERCHANGE ANY TWO LINE LEADS TO REVERSE ROTATION.
3. OPTIONAL THERMOSTATS ARE PROVIDED WHEN SPECIFIED.
4. ACTUAL NUMBER OF INTERNAL PARALLEL CIRCUITS MAY VARY.
5. LEAD COLORS ARE OPTIONAL. LEADS MUST BE NUMBERED AS SHOWN.

REV. DESC: REVISE TO SHOW OPTIONAL COLORS			
REV. LTR: D	BY: JLP	REVISED: 01/21/99 4:02	TDR: 0171435
9000D		FILE: AAA00005141	MDL: -
		MTL: -	

BALDOR ELECTRIC Co.

3PH, SV, 3 LEADS, WYE OR DELTA CONNECTED

CD0006