

BALDOR® • **RELIANCE**

Product Information Packet

GM3345

.2/.25HP, 1400RPM, 3PH, 50/60HZ, K-1, 2524M

Part Detail							
Revision:	AH	Status:	PRD/A	Change #:		Proprietary:	No
Type:	AC	Elec. Spec:	25WGW200	CD Diagram:	CD0005A05	Mfg Plant:	
Mech. Spec:		Layout:	25E265W200G4	Poles:	04	Created Date:	
Base:		Eff. Date:	04-18-2017	Leads:	9#18		

Specs			
Enclosure:	TEFC		
Gearhead Type:	RIGHT ANGLE		
Gear Ratio:	20:1		
Gear Style:	K		
Connection Diagram:	CD0005A05		
Dimensional Drawing Numbers:	25E265W200G4		
Duty Rating:	CONT		
Frame Material:	Steel		
Insulation Class:	F		
KVA Code:	-		

Nameplate NP1220A05			
CAT.NO.	GM3345		
SER.NO.			
SPEC.	25E265W200G4		
HP	.2//.25	TE	
VOLTS	190/380//208-230/460		
AMP	1.08/.54//1-1.10/.55		
HZ	50//60	PH	3
AMB.	40	DUTY	CONT
CAP		CODE	-
SER.F.	1.00	CLASS	F
SF AMP			
R.P.M.	70//85		
TORQ/IN LB	112		
RATIO	20:1		
APRV-CE		APRV-CSA	
			APRV-UL

AC Induction Motor Performance Data

Record # 63251 - Typical performance - not guaranteed values

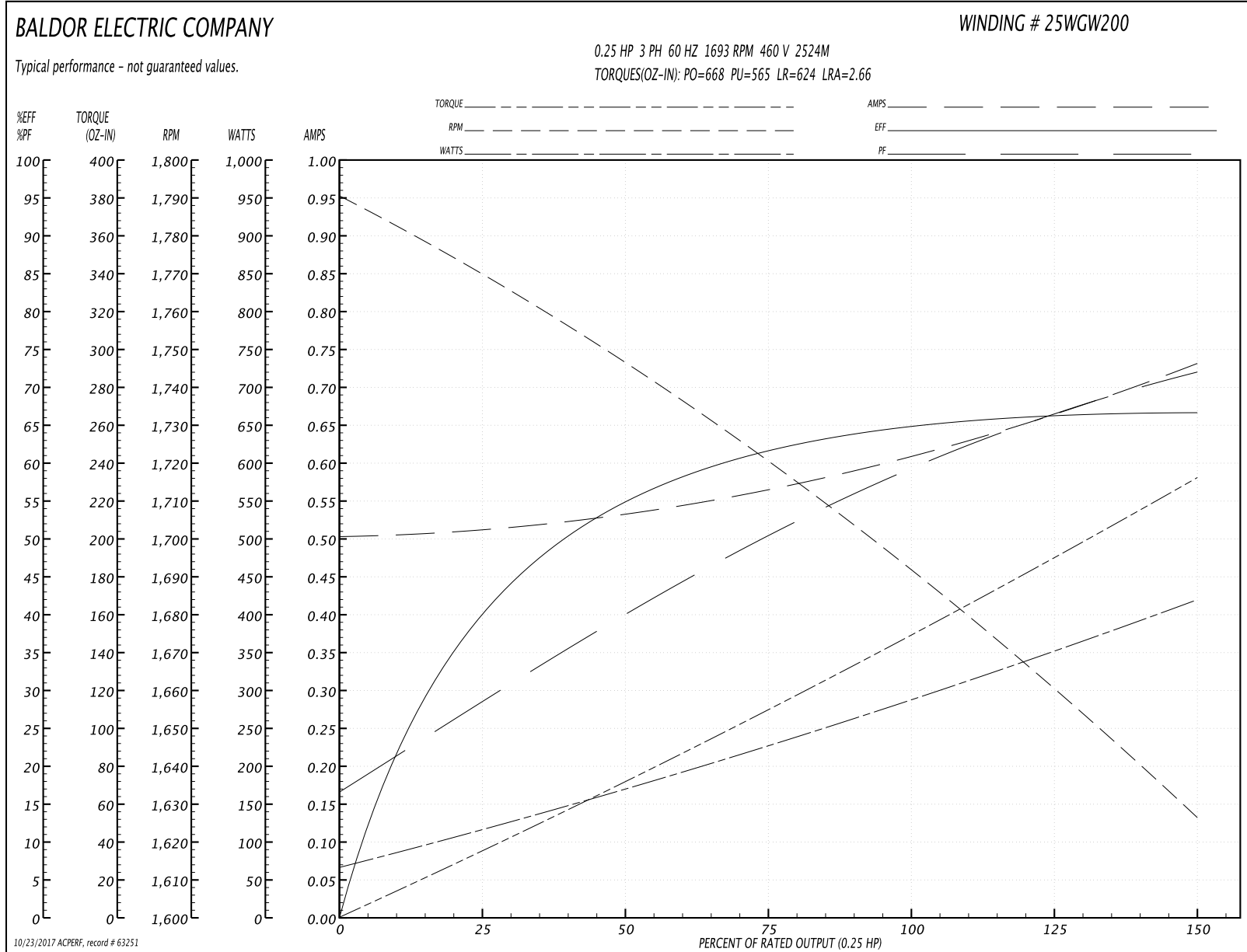
Winding: 25WGW200-R002	Type: 2524M	Enclosure: TEFC
-------------------------------	--------------------	------------------------

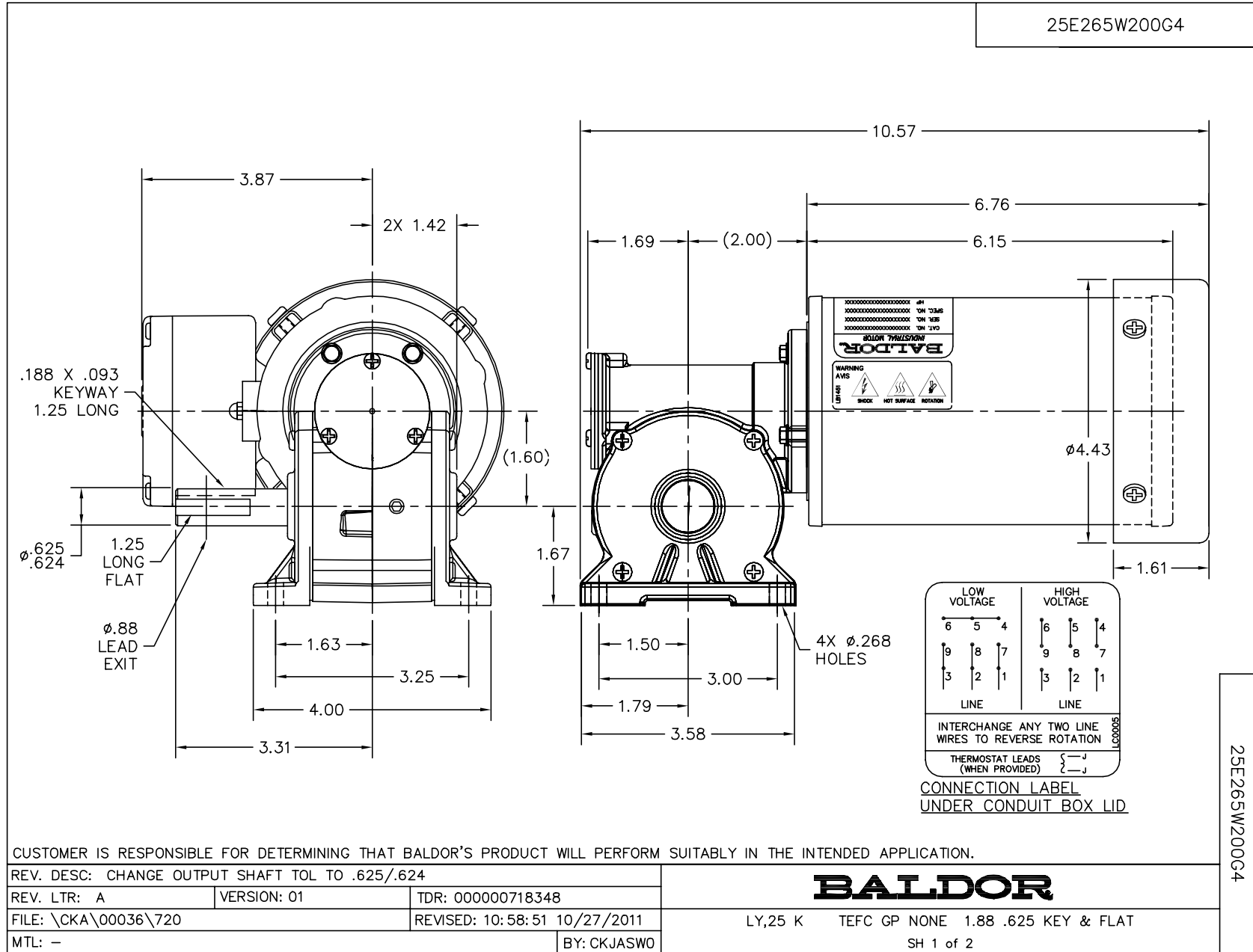
Nameplate Data				460 V, 60 Hz: High Voltage Connection	
Rated Output (HP)	.2//.25			Full Load Torque	148.9 OZ-IN
Volts	190/380//208-230/460			Start Configuration	direct on line
Full Load Amps	1.28/.64//1.14-1.2/.6			Breakdown Torque	668 OZ-IN
R.P.M.	1400//1675			Pull-up Torque	565 OZ-IN
Hz	50//60	Phase	3	Locked-rotor Torque	624 OZ-IN
NEMA Design Code	-	KVA Code	-	Starting Current	2.66 A
Service Factor (S.F.)	1			No-load Current	0.502 A
NEMA Nom. Eff.	64	Power Factor	59	Line-line Res. @ 25°C	78.437 Ω
Rating - Duty	40C AMB-CONT			Temp. Rise @ Rated Load	70°C
				Locked-rotor Power Factor	82

Load Characteristics 460 V, 60 Hz, 0.25 HP

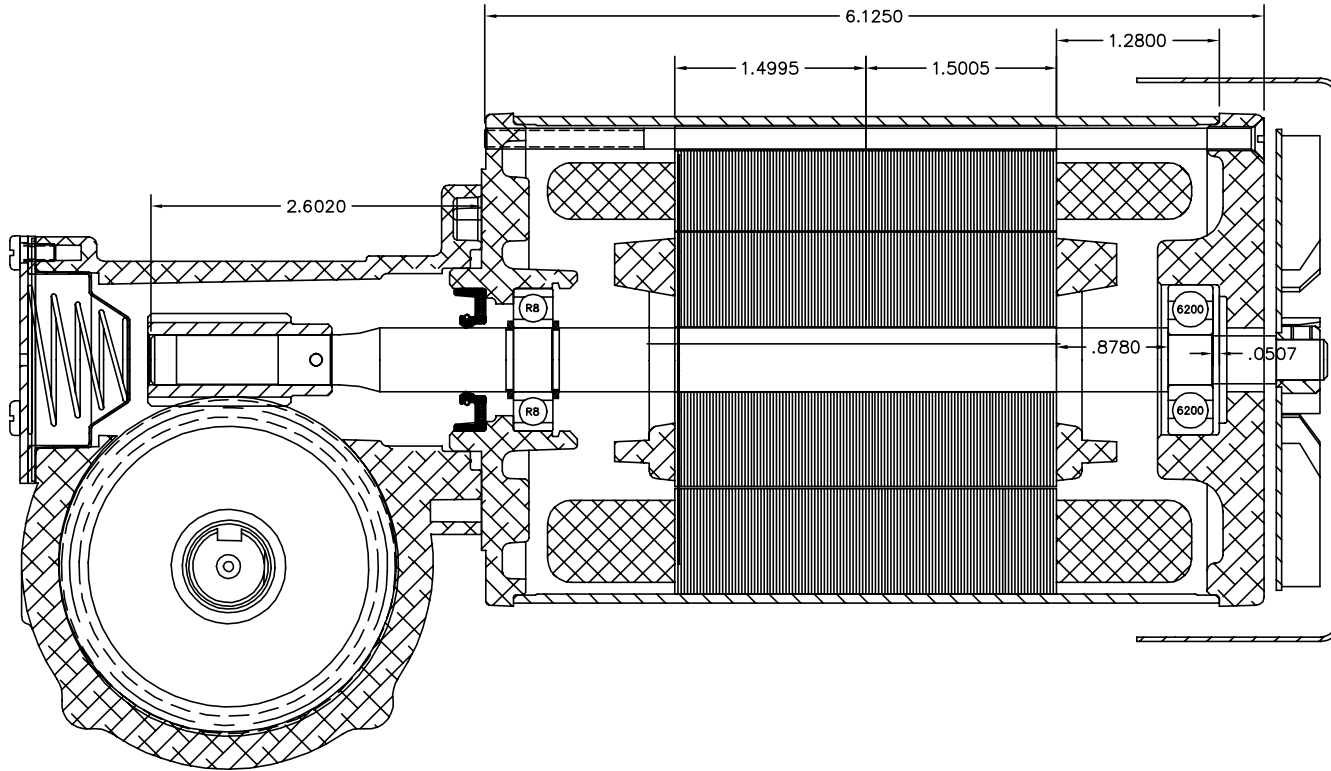
% of Rated Load	25	50	75	100	125	150
Power Factor	29	40	50	59	66	72
Efficiency	39.2	54.5	61.8	65.3	66.8	66.4
Speed	1768	1746	1720	1693	1662	1625
Line amperes	0.513	0.534	0.565	0.608	0.663	0.733

Performance Graph at 460V, 60Hz, 0.25HP Typical performance - Not guaranteed values





25E265W200G4



25E265W200G4

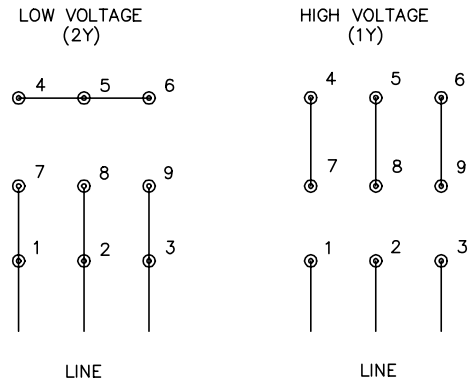
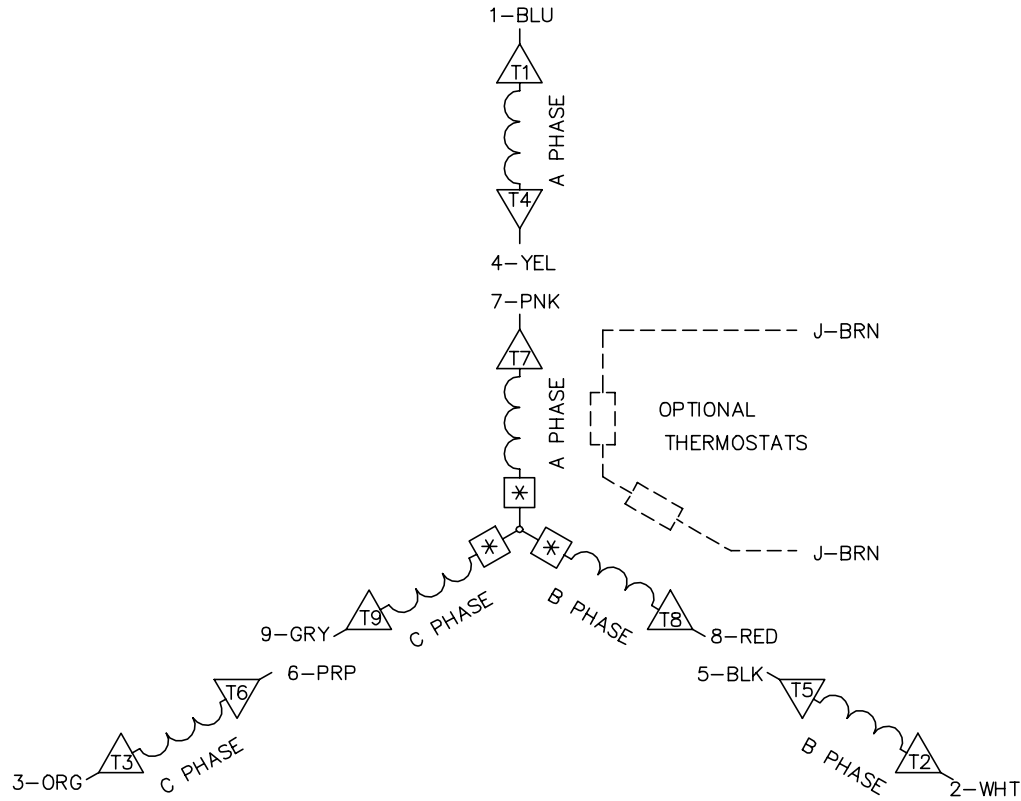
CUSTOMER IS RESPONSIBLE FOR DETERMINING THAT BALDOR'S PRODUCT WILL PERFORM SUITABLY IN THE INTENDED APPLICATION.

REV. DESC: CHANGE OUTPUT SHAFT TOL TO .625/.624		
REV. LTR: A	VERSION: 01	TDR: 000000718348
FILE: \CKA\00036\720	REVISED: 10:58:52 10/27/2011	
MTL: -	BY: CKJASWO	

BALDOR

LY,25 K TEFC GP NONE 1.88 .625 KEY & FLAT
SH 2 of 2

CD0005A05



- NOTES:
1. INTERCHANGE ANY TWO LINE LEADS TO REVERSE ROTATION.
 2. OPTIONAL THERMOSTATS ARE PROVIDED WHEN SPECIFIED.
 3. ACTUAL NUMBER OF INTERNAL PARALLEL CIRCUITS MAY BE A MULTIPLE OF THOSE SHOWN ABOVE.
 4. LEAD COLORS ARE OPTIONAL. LEADS MUST ALWAYS BE NUMBERED AS SHOWN.
 5. =MAGNET WIRE COIL END WITH I.D. NUMBER.
 6. =MAGNET WIRE COIL END WITH I.D. SYMBOL.
 7. SEE CW PRINT FOR NEST TO NEST CROSSOVER CONNECTIONS.

REV. DESC: ADD NEST NOTE			
REV. LTR: C	VERSION: 03	TDR: 000000445597	
CD0005A05	FILE: \CKA\00024\847	REVISED: 12:51:06 11/15/2007	
	MTL: -	BY: CKMICRO	

BALDOR • DODGE • RELIANCE

3PH, DV, 9 LEADS, CK

CD0005A05