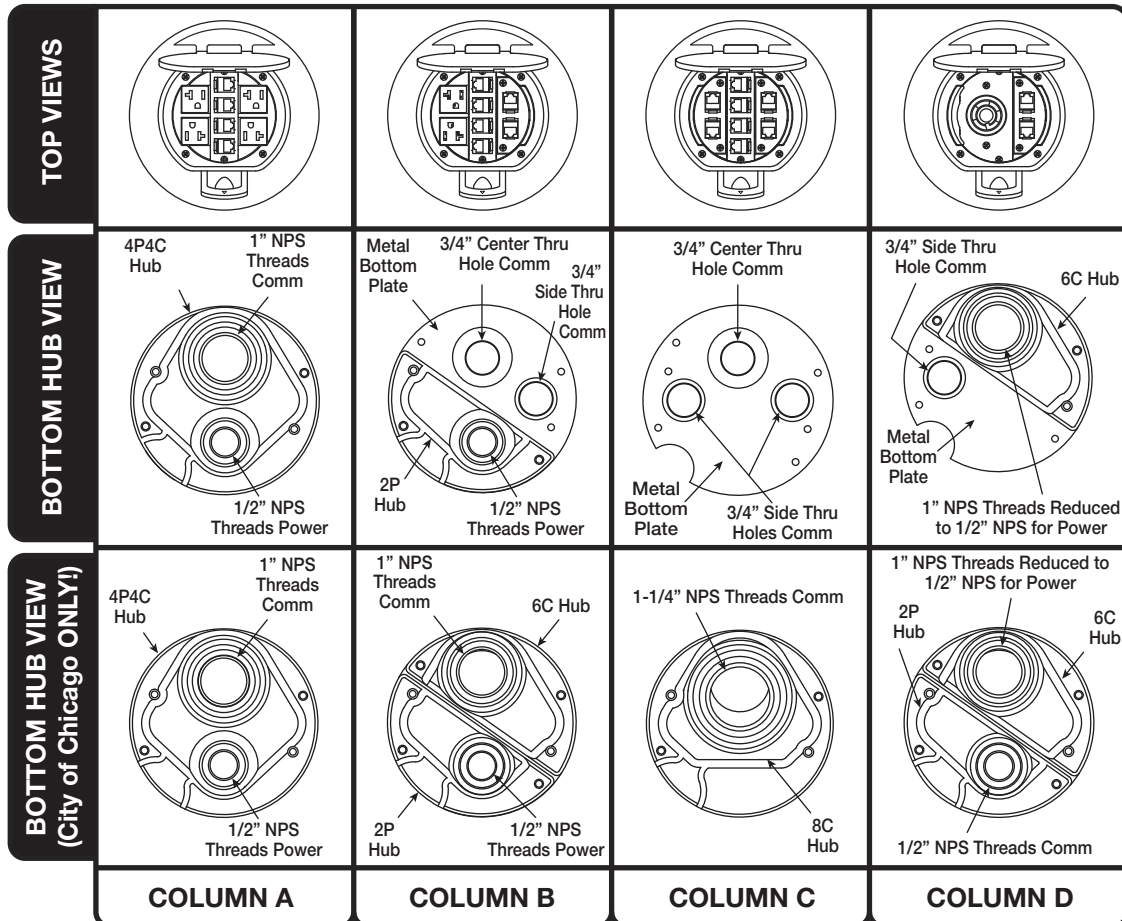


## FPT4 SERIES POKE-THROUGHS INSTALLATION INSTRUCTIONS

**WARNING**  
**ELECTRICAL HAZARD!**  
**BE SURE POWER IS OFF!**

**IMPORTANT - PLEASE READ ALL INSTRUCTIONS BEFORE BEGINNING.**  
**WARRANTY AND FIRE RESISTANCE RATING ARE VOID IF PRODUCT INSTALLATION IS NOT IN COMPLIANCE WITH THESE INSTRUCTIONS.**



TOP VIEWS are shown with FPT4-CVR-TXXX covers.  
 FPT4 Series Poke-Throughs will accept 2 styles of Covers: FPT-CVR-XXX and FPT-CVR-TXXX.  
 Check Thomas & Betts Catalog or website for details.

COLUMN	CATALOG NUMBER	NEMA NUMBERS	DESCRIPTION	FURNISHED
A	FPT4-4P-4C-TBRS FPT4-4P-4C-TALM FPT4-4P-4C-TBLK	NEMA 5-20R 20A-125V	4 POWER RECEPTACLES 4 COMMUNICATION JACKS	POKE-THROUGH COMPLETE WITH COVER
	FPT4-4P-4C FPT4-4P-4C-C		2 POWER RECEPTACLES 6 COMMUNICATION JACKS	
B	FPT4-2P-6C FPT4-2P-6C-C			POKE-THROUGH BASE UNIT ONLY  --COVER MUST BE ORDERED SEPARATELY--
C	FPT4-8C FPT4-8C-C	N/A	8 COMMUNICATION JACKS	
D	FPT4-1TL21-2C FPT4-1TL21-2C-C	NEMA L5-20R 20A-125V	1 LOCKING POWER RECEPTACLE 2 COMMUNICATION JACKS	
	FPT4-1TL22-2C FPT4-1TL22-2C-C	NEMA L6-20R 20A-250V		
	FPT4-1TL31-2C FPT4-1TL31-2C-C	NEMA L5-30R 30A-125V	1 LOCKING POWER RECEPTACLE 2 COMMUNICATION JACKS	
	FPT4-1TL32-2C FPT4-1TL32-2C-C	NEMA L6-30R 30A-250V		

NOTE: "-C" at the end of Catalog Number indicates that the Poke-Through is approved for the City of Chicago

**IMPORTANT NOTES:**

1. See product category “Outlet boxes and fittings” classified for fire resistance in the current “Underwriters Laboratories, Inc.” “Fire Resistance Directory” for the fire resistance classification of the Thomas & Betts Poke-Through System. Suitable for use in air handling spaces in accordance with Sec. 300-22 (C) of the National Electrical Code.
2. **POKE-THROUGH FLOOR FITTING (Base Unit) IS ONLY TO BE USED WITH A THOMAS & BETTS COVER LISTED FOR USE WITH THIS UNIT.** The system is designed to maintain the hourly rating of concrete floors having a fire rating of 1, 1-1/2 and 2 hours, only when installed in accordance with these instructions.
3. **TO MAINTAIN FIRE RESISTANCE CLASSIFICATION RATING** a complete Thomas & Betts service fitting, including the service fitting base unit and service fitting cover must be installed.
4. **CONCRETE THICKNESS Min/Max:**  
**1-HOUR RATED FLOOR:** 2-1/4” min over top of deck (or 3” thick reinforced concrete slab) to a maximum of 7-1/2”.  
**2-HOUR RATED FLOOR:** 3-1/4” min over top of deck (or 4” thick reinforced concrete slab) to a maximum of 7-1/2”.
5. **SPACING:**  
 Minimum of 2 ft. on center and not more than one device per 65 sq. ft. of floor area in each span.
6. **INSTALLATION:**  
 Mount in a 4” diameter core-drilled hole in accordance with these instructions.
7. **FLOOR COVERINGS:**  
 When installed in accordance with these instructions, this Poke-Through is fire rated for carpet and wood covered concrete floors, tile floor coverings up to 3/4” maximum thickness, and linoleum floor coverings up to a maximum of 1/8” thickness. Poke-Through may be installed directly on concrete floor when no floor covering is planned.
8. **MAXIMUM ALLOWABLE COPPER CROSS-SECTIONAL AREA FOR COMMUNICATIONS CABLING:**

POKE-THROUGH SERIES	SIDE THROUGH HOLE	CENTER THROUGH HOLE	SIDE THROUGH HOLE
FPT4-4P-4C SERIES	POWER	.01630 SQ. IN.	POWER
FPT4-2P-6C SERIES	POWER	.01630 SQ. IN.	.01536 SQ. IN.
FPT4-8C SERIES	.01536 SQ. IN.	.01630 SQ. IN.	.01536 SQ. IN.
FPT4-1TL-2C SERIES	POWER	POWER	.01536 SQ. IN.



**CAUTION**



Receptacles supplied with these Poke-Throughs are not suitable for direct field wiring. Electrical conductor leads must be installed by manufacturer. Contact Thomas & Betts for replacement. Field modification will void UL Listing and Classification. Use replacement (2-power) receptacles, complete with conductor leads. Order Thomas & Betts catalog number: **FPT4-2P-RPL**.

**NOTE:** All power conductors are type THHN.

**COPPER CROSS SECTIONAL AREA OF COMMONLY USED CONDUCTORS**

SIZE	SOLID
#24	.00032 SQ. IN.
#22	.00050 SQ. IN.
#14	00323 SQ. IN.
#12	.00512 SQ. IN.
#10	.00815 SQ. IN.
#8	.01296 SQ. IN.

**NOTE:** Use above values for solid or stranded conductors.

**WARRANTY:** Thomas & Betts sells this product with the understanding that the user will perform all necessary tests to determine the suitability of this product for the user’s intended application. Thomas & Betts warrants that this product will be free from defects in materials and workmanship for a period of two (2) years following the date of purchase. Upon prompt notification of any warranted defect, Thomas & Betts will, at its option, repair or replace the defective product or refund the purchase price. Proof of purchase is required. Misuse or unauthorized modification of the product voids all warranties.

**Limitations and Exclusions:** THE ABOVE WARRANTY IS THE SOLE WARRANTY CONCERNING THIS PRODUCT, AND IS IN LIEU OF ALL OTHER WARRANTIES EXPRESS OR IMPLIED, INCLUDING BUT NOT LIMITED TO ANY IMPLIED WARRANTY OF MERCHANTABILITY OR FITNESS FOR A PARTICULAR PURPOSE, WHICH ARE SPECIFICALLY DISCLAIMED. LIABILITY FOR BREACH OF THE ABOVE WARRANTY IS LIMITED TO COST OF REPAIR OR REPLACEMENT OF THE PRODUCT, AND UNDER NO CIRCUMSTANCES WILL THOMAS & BETTS BE LIABLE FOR ANY INDIRECT, SPECIAL, INCIDENTAL OR CONSEQUENTIAL DAMAGES.

Thomas & Betts Corporation  
 Memphis, Tennessee  
 www.tnb.com

## INSTALLATION STEPS:

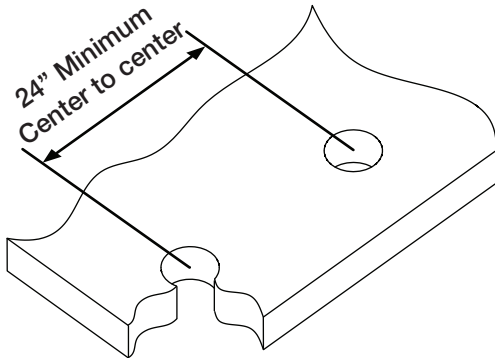
FPT4-4P-4C and FPT4-2P-6C-C are used in installation figures. These instruction steps are applicable to all FPT4 series Poke-Throughs.

### Step 1 - Layout and Location Position of Hole:



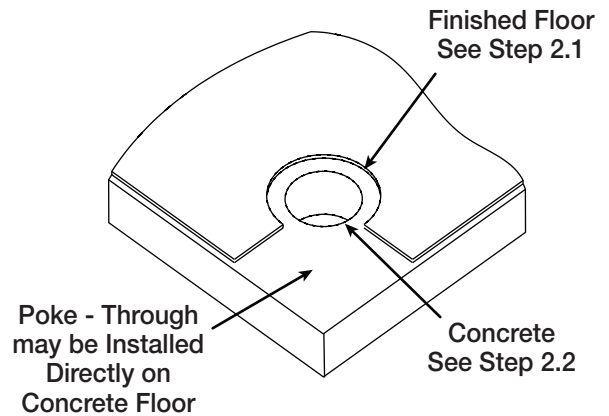
**CAUTION:** See spacing note 5 under "Important Notes Section".

**NOTE:** Be certain to drill hole at least 4-1/4" from any wall or pillar to leave enough room for poke-through and cover installation.



### Step 2 - Drill Hole in Floor:

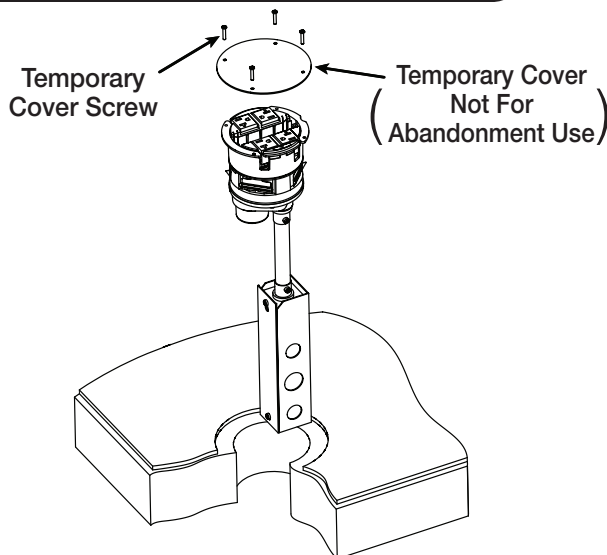
- 2.1 Install or cut hole from Carpet, Wood, Tile or Linoleum Floor. Use template provided with cover instructions. (Poke-Through may be installed directly on concrete floor if no finished floor is planned).
- 2.2 Core Drill a 4" Diameter Hole. Actual hole size may be 4-1/16" diameter due to drill bit and jobsite construction tolerances.



### Step 3 - Base Unit Assembly:

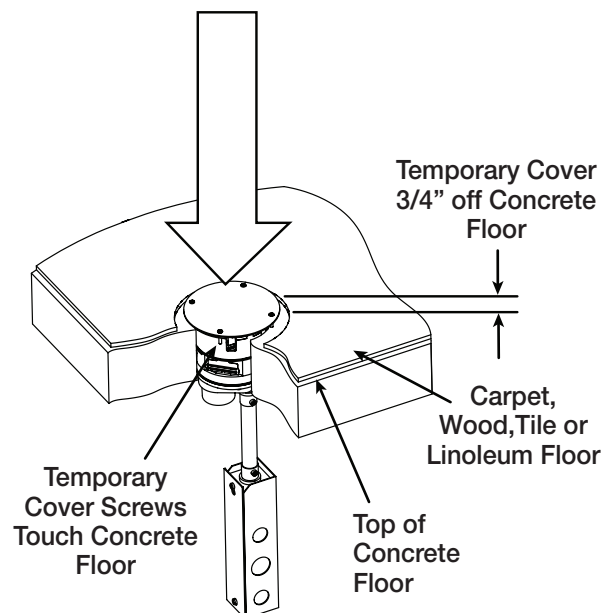


**CAUTION:** Poke-Through cannot be rotated after inserting into hole. Verify receptacles and communication outlets are in desired orientation before inserting unit into hole. (Temporary cover may need to be removed to see device layout). Replace temporary cover before installing base unit into floor. Keep temporary cover in place until step 4.



**IMPORTANT!** If flexible conduit is used, electrical connections may be made before inserting base unit into hole. *(Except City of Chicago)* See note C in Step 5.

Insert base unit into hole and push down until screws in temporary cover contact concrete floor.



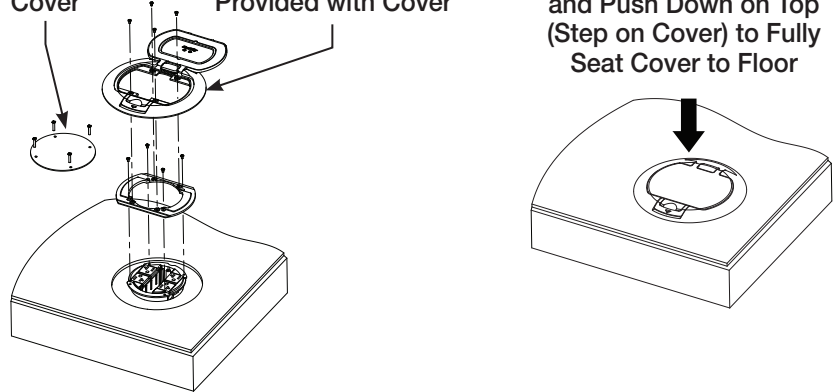
### Step 4 - Cover Assembly:

Install FPT4 series cover using instructions provided with cover.

Remove Temporary Cover

Install FPT4 Series Cover per Instructions Provided with Cover

After Cover is Screwed to Poke-Through, Close Lid and Push Down on Top (Step on Cover) to Fully Seat Cover to Floor



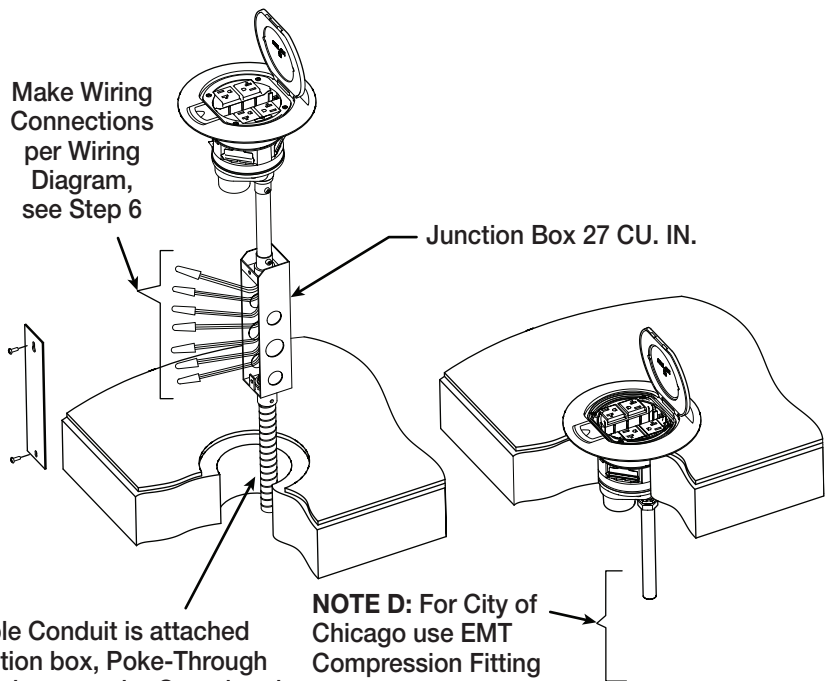
### Step 5 - Electrical Connections:

Remove two screws and remove cover from junction box. See Step 6 for Wiring Diagram. Locking receptacles have only one circuit.

Attach conduit and provide wiring connections as required by national and local electrical codes.

**NOTE A:** Factory supplied junction box shown.

**NOTE B:** City of Chicago Approved Poke-Through units must use an EMT compression fitting (not furnished) and a Chicago Approved Junction Box (not furnished). Electrical connections must be made after Poke-Through is pushed firmly into hole and cover is installed.



**NOTE C:** If Flexible Conduit is attached to bottom of junction box, Poke-Through Electrical Connections may be Completed before Poke-Through is installed in Hole

**NOTE D:** For City of Chicago use EMT Compression Fitting and City of Chicago Approved Junction Box

### Step 6 - Wiring Diagram:

Connect receptacle conductor leads to the branch circuit conductors, as required.

**WARNING:** Ground screw in junction box must be connected to **SYSTEM GROUND** as required by national and local electrical codes.

#### ELECTRICAL WIRING CHART

	CIRCUIT "A"	CIRCUIT "B"
HOT	BLACK	BLACK WITH YELLOW TRACER
NEUTRAL	WHITE	WHITE WITH YELLOW TRACER
GROUND	GREEN	GREEN WITH YELLOW TRACER

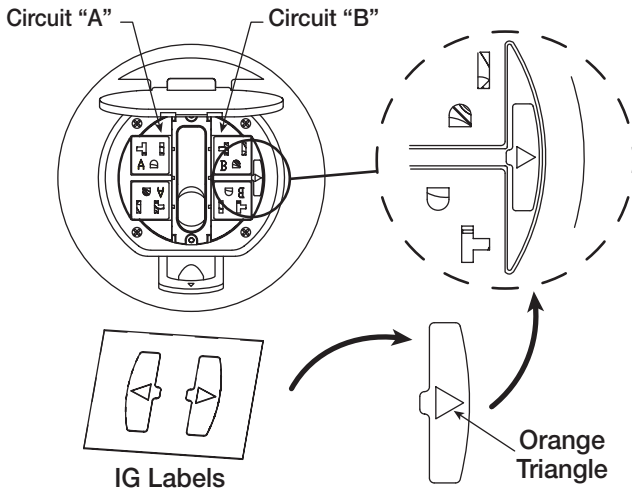


**CAUTION:** RECEPTACLE MOUNTING MEANS not grounded for FPT4-4P-4C series and FPT-2P-6C series Poke-Throughs. Grounding wire connection required. For isolated ground wiring; connect ground leads to separate isolated grounding conductor, see Step 7. See NEC 250-146 (D).

### Step 7 - Isolated Ground Labels:

If circuit is connected to an isolated ground, apply IG label (orange triangle) on side of receptacle as shown.

**NOTE:** Only use IG label on devices wired for isolated ground. See NEC 250-146 (D).



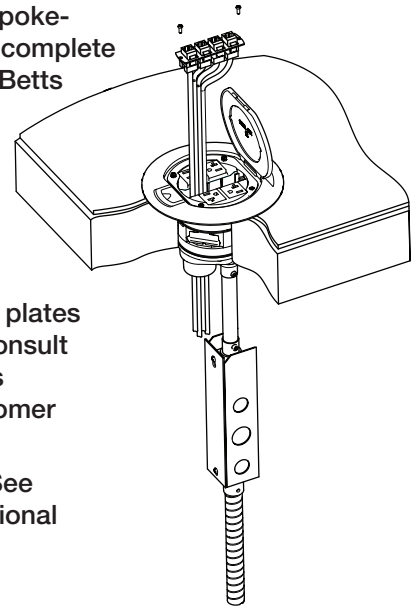
### Step 8 - Communication Connections:

Communication cable, jacks and mounting plates can be installed after cover is installed to floor.

All FPT4 series poke-throughs come complete with Thomas & Betts Omni-Plus™ Category 5e jacks and communication plates.

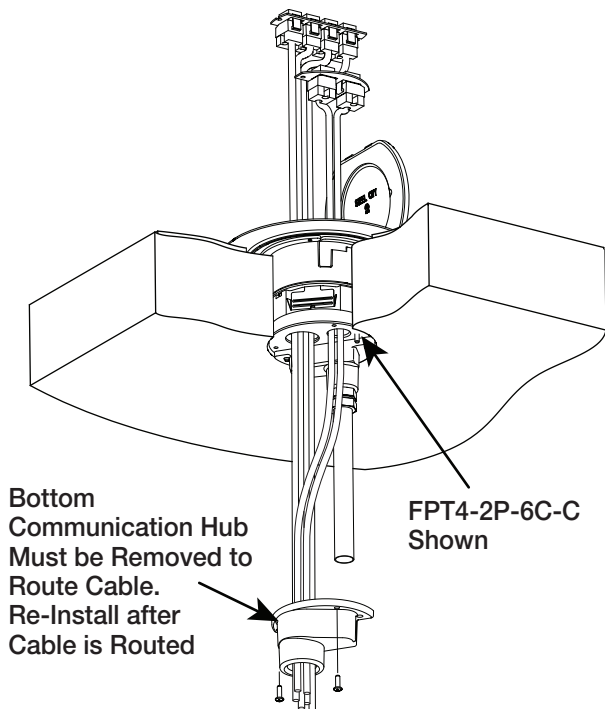
Other style communication plates are available: consult Thomas & Betts catalog or customer service.

**IMPORTANT:** See Step 9 for additional City of Chicago instructions



### Step 9 - Communication Hub Connections City of Chicago Only:

**NOTE:** Bottom communication hub must be removed to route communication cable into conduit. Re-attach hub after routing cable through. Threaded NPS connection is provided on Communication Hub to provide EMT conduit connection.



### Step 10 - Installation Complete

