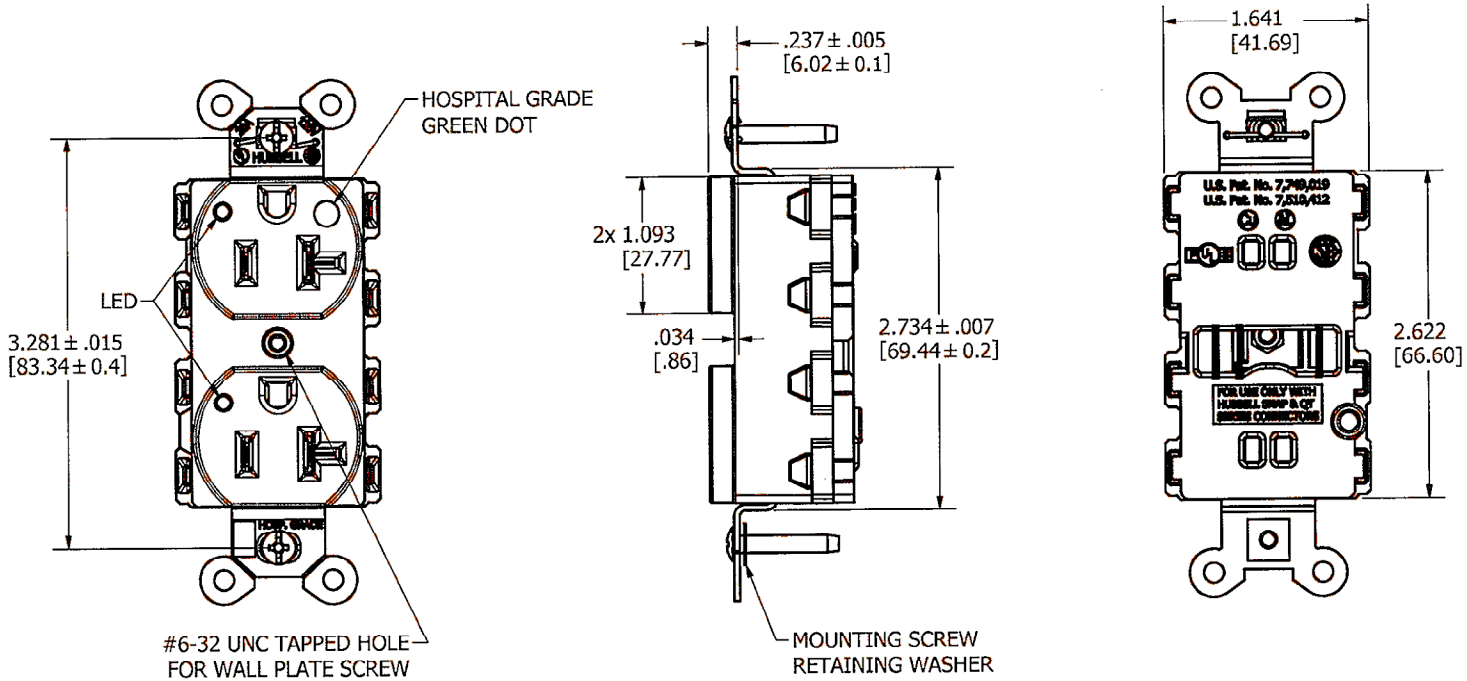


M-12315

3



LIST OF PARTS

DESCRIPTION	MATERIAL	FINISH
TOP	NYLON 6/6	SPI A-3
BASE	NYLON 6/6	SPI A-3
LINE CONTACTS	BRASS	
GROUND CONTACT	BRASS	
BRIDGE	.04 GALV STL	
STAPLE	S.S.	
WASHER	PVC FILM	BLACK
MOUNTING SCREWS	STEEL	ZINC PLT

REPAIRABLE NON-REPAIRABLE

3	01/17/2013 UPDATED FOR NEW LOCATION OF HG "DOT" PER DCN19283 EB	TLS <i>TLS</i>	
---	---	-------------------	--

RATING	BROWN	IVORY	GRAY	WHITE	BLACK	ALMOND	LIGHT ALMOND	OFFICE WHITE	ORANGE	RED	BLUE
15A	SNAP8200L	SNAP8200IL	SNAP8200GYL	SNAP8200WL	SNAP8200BKL	SNAP8200ALL	SNAP8200LAL	--	--	SNAP8200RL	--
20A	SNAP8300L	SNAP8300IL	SNAP8300GYL	SNAP8300WL	SNAP8300BKL	SNAP8300ALL	SNAP8300LAL	--	--	SNAP8300RL	--

THE DESIGN AND DIMENSIONS OF THE PRODUCT SHOWN ON THIS DRAWING ARE SUBJECT TO CHANGE WITHOUT NOTICE

TITLE
DUPLEX RECEPTACLE, 15/20A 125V
NON IG, LED ONLY, HG

NOTES:
1. DIMENSIONS ARE IN INCHES [MM].
2. ALL DEVICES UL LISTED AND CSA CERTIFIED.

TOLERANCES UNLESS OTHERWISE SPECIFIED	WIRING DEVICE-KELLEMS HUBBELL INCORPORATED SHELTON, CT	
FRACTIONS ±1/64	DR. BY <i>ebazayev</i>	APP. BY
DECIMALS ±.005	TR. BY	SCALE 1:1
ANGLES ±2°	CHKD BY	DATE 9/5/2012

CODE 74545

DIMENSION SHEET FOR CUT NO.

REPAIRABLE NON-REPAIRABLE

B

M-12315

3