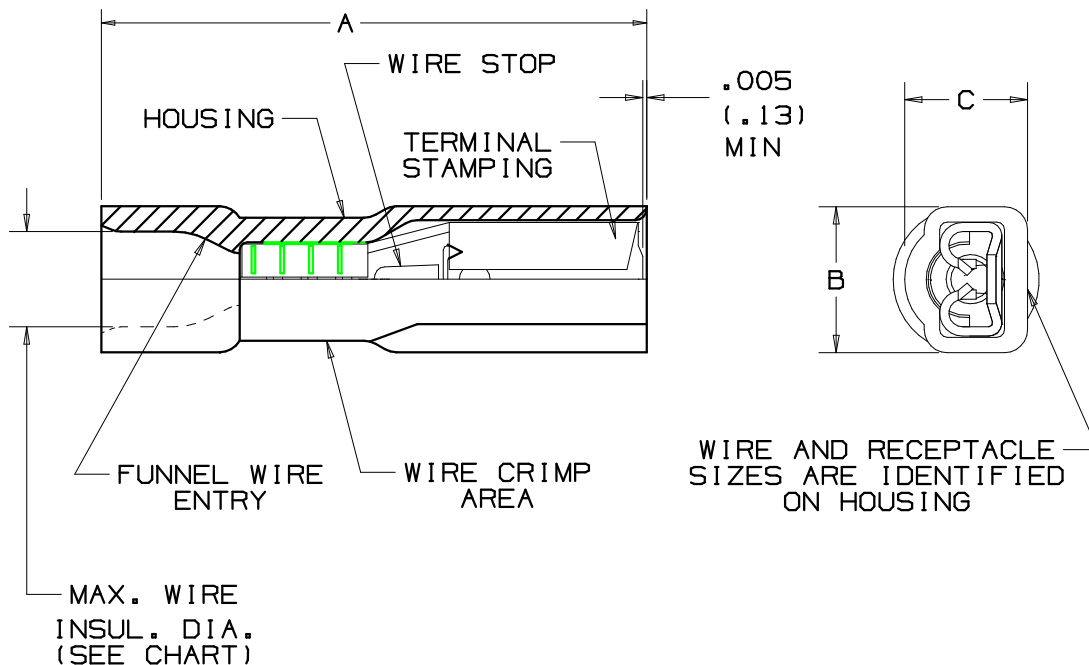


THIS COPY IS PROVIDED ON A RESTRICTED BASIS AND IS NOT TO BE USED IN ANY WAY DETRIMENTAL TO THE INTERESTS OF PANDUIT CORP.



NOTES:

1. UL LISTED AND CSA CERTIFIED FOR:
  - A. 600V MAX VOLTAGE RATING
  - B. 257°F (125°C) MAX TEMP RATING (UL)  
221°F (105°C) MAX TEMP RATING (CSA)
  - C. STRANDED COPPER WIRE ONLY
2. 6-12 LBS INITIAL INSERTION/WITHDRAWAL FORCE
3. PACKAGE QTY: -M=1000 PIECES, -C=100 PIECES
4. MATERIAL:
  - A. STAMPING: TIN PLATED BRASS
  - B. HOUSING: TYPE 6/6 NYLON
5. DIMENSIONS IN BRACKETS ARE IN mm OR mm<sup>2</sup>
6. NYLON HOUSING IS TRANSLUCENT
7. INSTALLATION TOOLS:
  - A. UL & CSA APPROVED: CT-520, CT-1525  
(UTILIZE CT-1525 CRIMP POCKET "A")
  - B. PANDUIT APPROVED: CT-100
8. WIRE STRIP LENGTH 9/32 <sup>+1/32</sup><sub>-0</sub> (7.1 <sup>+8</sup><sub>-0</sub>)

WIRE AND RECEPTACLE SIZES ARE IDENTIFIED ON HOUSING

PART NUMBER		TAB SIZE	WIRE RANGE AWG (MM <sup>2</sup> )	HOUSING COLOR (NOTE 6)	MAX. INSUL. DIA.	DIMENSIONS in.		
PREFIX	PK					A <sup>±.03</sup> <sub>(.8)</sub>	B <sup>±.015</sup> <sub>(.4)</sub>	C <sup>±.015</sup> <sub>(.4)</sub>
DNF18-110FIB	-C -M	.110 X .032 (2,8 X 0,8)	22-18 (0,38-1,0)	RED	.12 (3,0)	.71 (18,0)	.19 (4,8)	.16 (4,1)
DNF18-111FIB	-C -M	.110 X .020 (2,8 X 0,5)	22-18 (0,38-1,0)	RED	.12 (3,0)	.71 (18,0)	.19 (4,8)	.16 (4,1)



A41544\_04

04	2/07	DAW	DAW	ADDED POCKET "A" NOTE TO CT-1525	TR00220	LCA	TRO	
03	7/03	KLFU	SKB	UPDATED DRAWING	12453	SKB	TRO	
02	5/98	TM	JW	ADDED CT-1525 TO TOOL NOTES	06872	LA	DBH	
01	10/94	TH	RLS	UPDATED NOTES AND DIMENSIONS	02550	LA	KS	
REV	DATE	BY	CHK	DESCRIPTION	ECN#	CUST	PM	DRAWN BY: BDK CHK'D: RLS SCALE: NONE DRAWING NO./CAD FILENAME: 41544A