

BALDOR® • ***RELIANCE***

Product Information Packet

L3403

.25HP, 1725RPM, 1PH, 60HZ, 48, 3411L, TEFC, F1

Part Detail							
Revision:	W	Status:	PRD/A	Change #:		Proprietary:	No
Type:	AC	Prod. Type:	3411L	Elec. Spec:	34WG5506	CD Diagram:	
Enclosure:	TEFC	Mfg Plant:		Mech. Spec:	34C051	Layout:	
Frame:	48	Mounting:	F1	Poles:	04	Created Date:	
Base:	RG	Rotation:	R	Insulation:	B	Eff. Date:	04-01-2011
Leads:	6#18	Literature:		Elec. Diagram:		Replaced By:	

Nameplate NP1256L									
CAT.NO.	L3403								
SPEC.	34C51-5506								
HP	.25								
VOLTS	115/230								
AMP	5/2.5								
RPM	1725								
FRAME	48	HZ			60	PH	1		
SER.F.	1.35	CODE			L	DES	N	CLASS	B
NEMA-NOM-EFF	55	PF			57				
RATING	40C AMB-CONT								
CC				USABLE AT 208V		3			
DE	6203	ODE			6203				
ENCL	TEFC	SN							
	SFA 5.6/2.8								

Parts List		
Part Number	Description	Quantity
SA008575	SA 34C51-5506	1.000 EA
RA005022	RA 34C51-5506	1.000 EA
EC1161A02	BMI 091A161B125AD2A ELEC CAP 115V 1.4 X	1.000 EA
NS2512A01	INSULATOR, CONDUIT BOX X	1.000 EA
34CB3002A	CB CAST W/.88 DIA HOLE	1.000 EA
34GS1029A01	GASKET, CONDUIT BOX	1.000 EA
51XB1016A07	10-16 X 7/16 HXWSSLD SERTYB	2.000 EA
11XW1032G06	10-32 X .38, TAPTITE II, HEX WSHR SLTD U	1.000 EA
51XW0832A07	8-32 X .44, TAPTITE II, HEX WSHR SLTD SE	2.000 EA
34EP3102A01SP	FR ENDPLATE, MACH	1.000 EA
NS2500A01	INSULATOR, AUTO THER PROT	1.000 EA
WD1000A03	41531 AMP FLG.TERM,4M/REEL(2.5MIL)	1.000 EA
34CB4800SP	CAPACITOR COVER, STAMPED	1.000 EA
34GS3000SP	GASKET, CAPACITOR BOX	1.000 EA
51XB1016A05	10-16X5/16HX WA SL SR TYB (F/S)	2.000 EA
HW5100A03SP	WAVY WASHER (W1543-017)	1.000 EA
34EP3102A02SP	FR/PU ENDPLATE, MACH	1.000 EA
XY1032A02	10-32 HEX NUT DIRECTIONAL SERRATION	4.000 EA
34FN3002A01SP	EXTERNAL FAN, PLASTIC, .637/.639 HUB W/	1.000 EA
34FH4002A01SP	IEC FH NO GREASER	1.000 EA
51XW1032A06	10-32 X .38, TAPTITE II, HEX WSHR SLTD S	3.000 EA
34CB4517	CB LID 4 MTG HOLES .22 DIA STAMPED, FOR	1.000 EA
34GS1031A01	GASKET, FLAT CONDUIT BOX LID (LEXIDE)	1.000 EA
51XW0832A07	8-32 X .44, TAPTITE II, HEX WSHR SLTD SE	4.000 EA

Parts List (continued)		
Part Number	Description	Quantity
MG1000G27	PAINT- S9282E CHARCOAL GREY 55 GALLONS	0.014 GA
10XF0440S02	04-40 X 1/8 TYPE F HEX HD STAINLESS STIC	2.000 EA
SP5056A24	MODEL 34 TYPE L STATIONARY SWITCH WITH L	1.000 EA
HA3100A12	THRUBOLT 10-32 X 7.375	4.000 EA
LB1125C01	STD (STOCK) CARTON LABEL BALDOR WITH FLA	1.000 EA
LC0001A01	CONN LABEL / WARNING LABEL (LC0001 / LB1	1.000 EA
NP1256L	ALUM, UL CSA CC, W/O THERMAL, LASER	1.000 EA
34PA1002	PACKING GROUP, BALDOR	1.000 EA

Accessories		
Part Number	Description	Multiplier
34-3900T	C-FACE KIT	A8

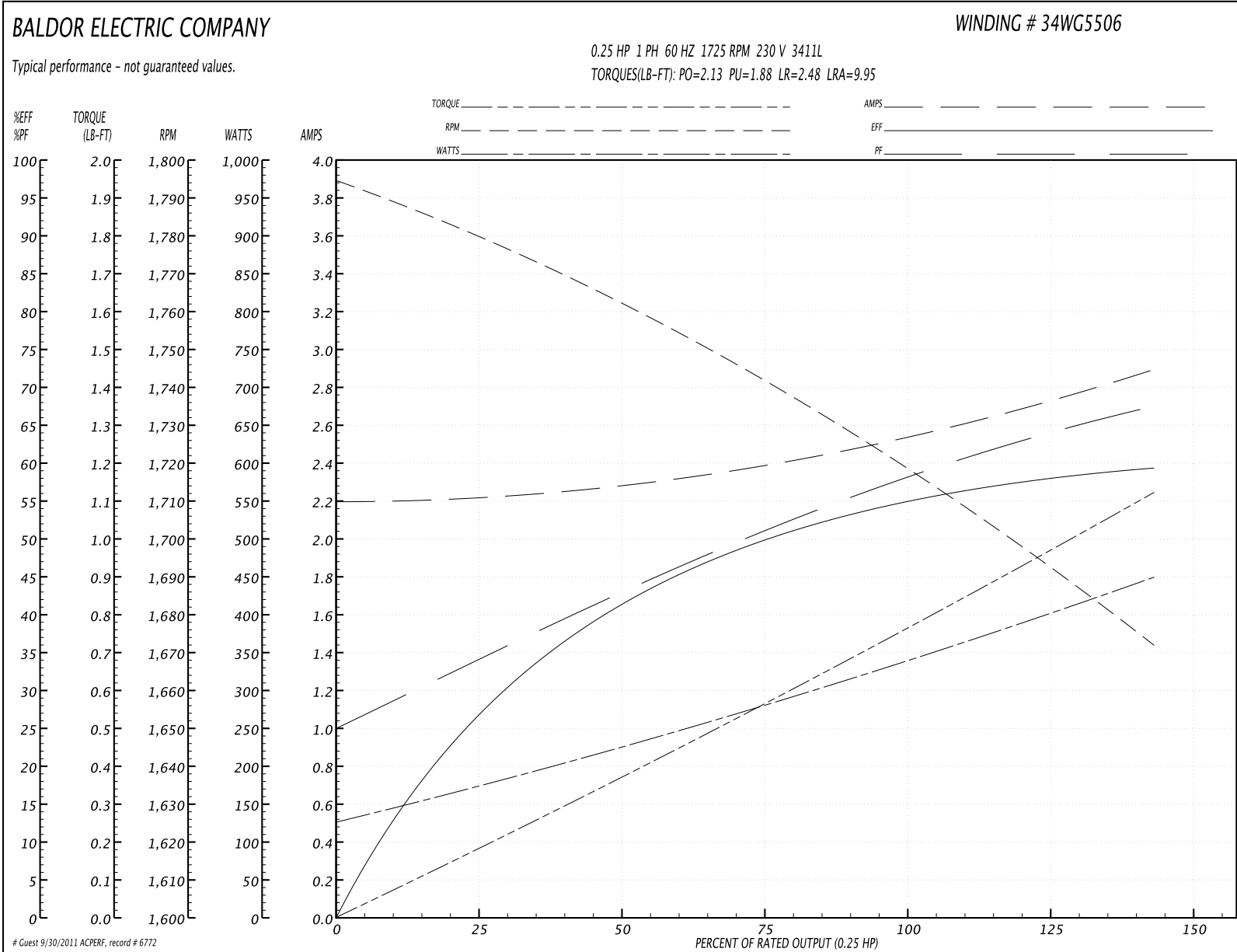
Performance Data at 230V, 60Hz, 0.25HP (Typical performance - Not guaranteed values)
General Characteristics

Full Load Torque:	0.75 LB-FT	Start Configuration:	DOL
No-Load Current:	2.2 Amps	Break-Down Torque:	2.13 LB-FT
Line-line Res. @ 25°C.:	8.88 Ohms A Ph / 7.06 Ohms B Ph	Pull-Up Torque:	1.88 LB-FT
Temp. Rise @ Rated Load:	57 C	Locked-Rotor Torque:	2.48 LB-FT
Temp. Rise @ S.F. Load:	70 C	Starting Current:	9.95 Amps

Load Characteristics

% of Rated Load	25	50	75	100	125	150	S.F.
Power Factor:	32.0	40.0	49.0	57.0	63.0	69.0	67.0
Efficiency:	28.0	40.0	50.0	55.0	58.0	59.0	59.0
Speed:	1779.0	1763.0	1740.0	1720.0	1700.0	1670.0	1680.0
Line Amperes:	2.2	2.3	2.4	2.5	2.7	2.9	2.8

Performance Graph at 230V, 60Hz, 0.25HP Typical performance - Not guaranteed values



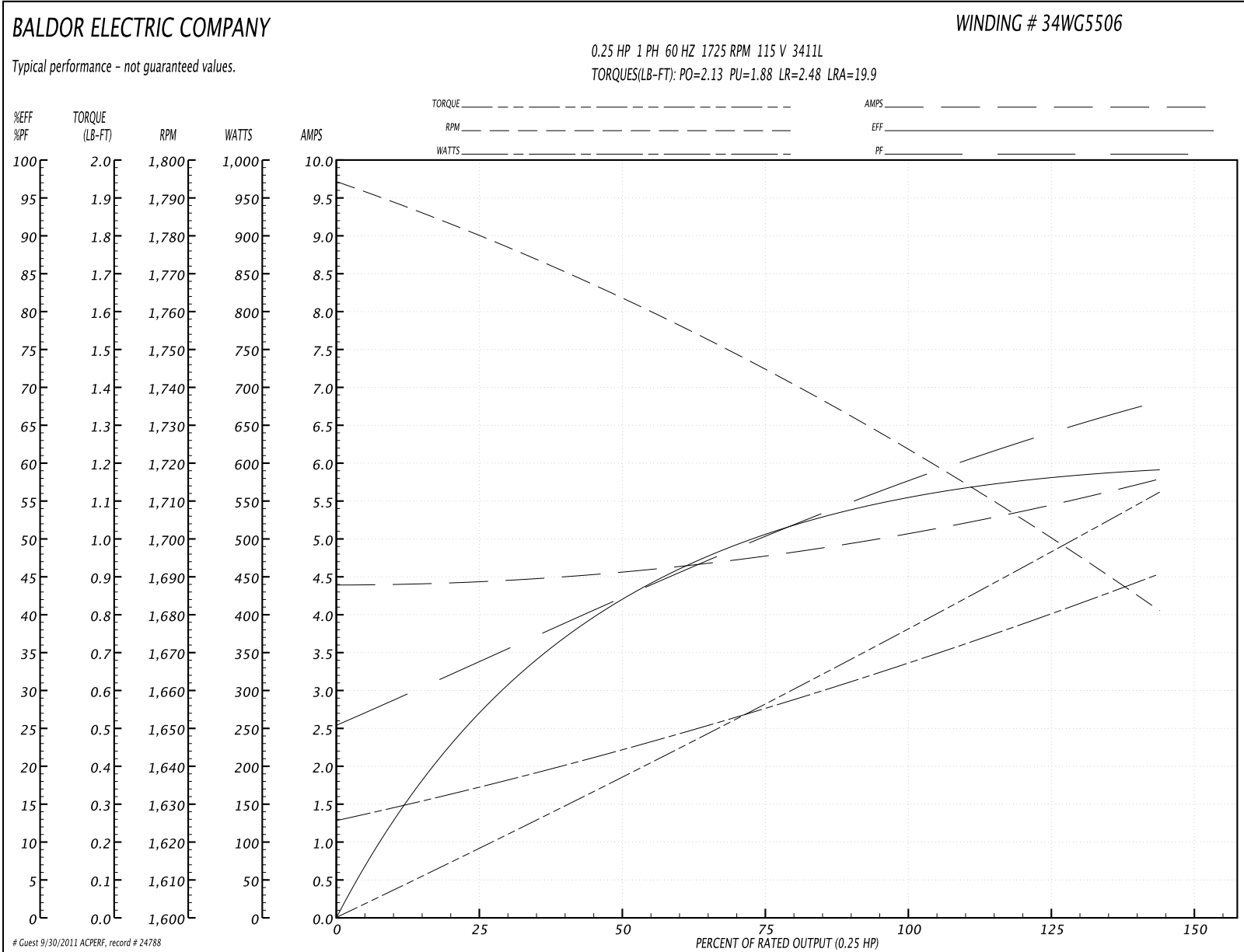
Performance Data at 115V, 60Hz, 0.25HP (Typical performance - Not guaranteed values)
General Characteristics

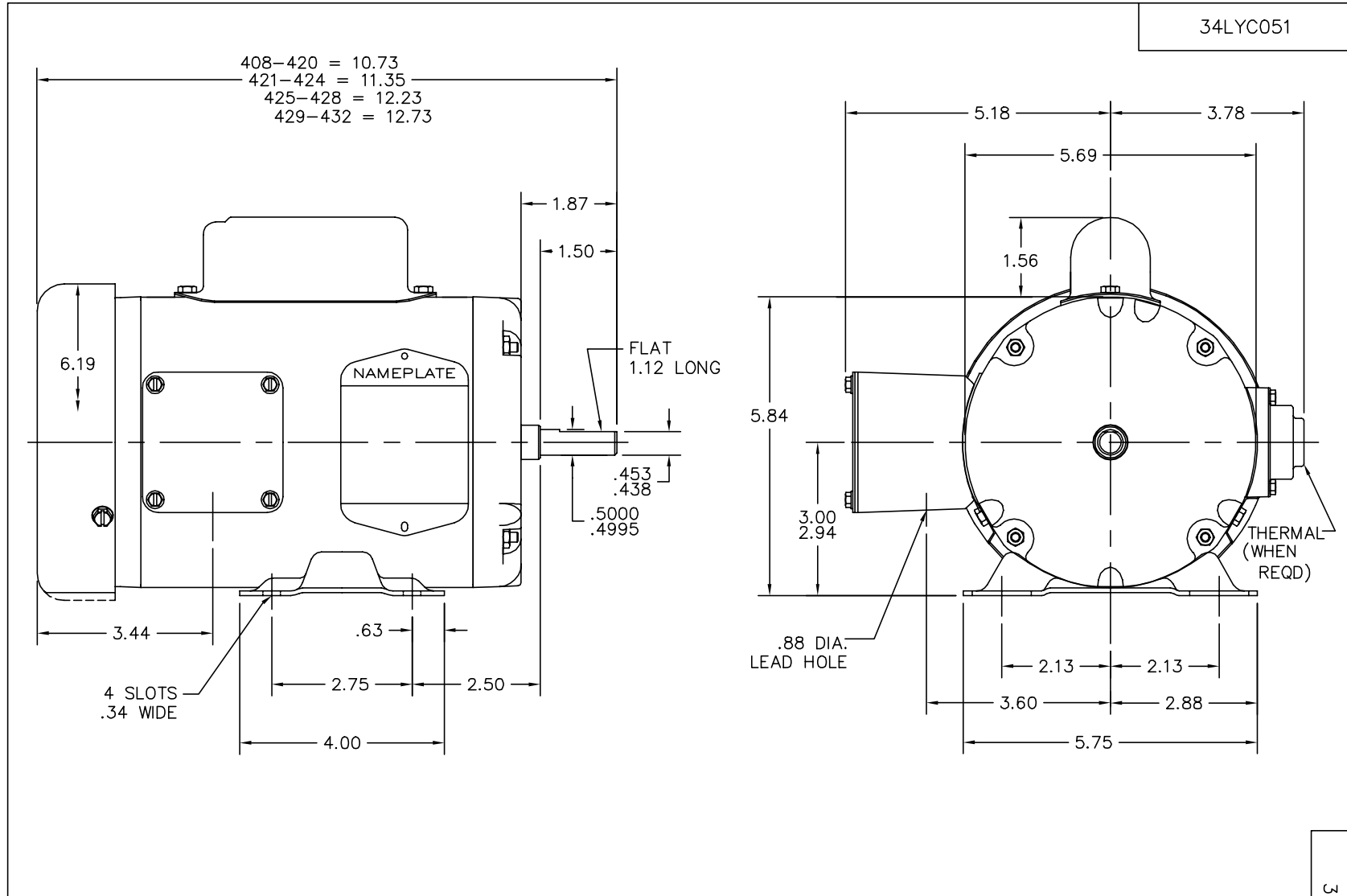
Full Load Torque:	0.75 LB-FT	Start Configuration:	DOL
No-Load Current:	4.4 Amps	Break-Down Torque:	2.13 LB-FT
Line-line Res. @ 25°C.:	2.22 Ohms A Ph / 7.06 Ohms B Ph	Pull-Up Torque:	1.88 LB-FT
Temp. Rise @ Rated Load:	42 C	Locked-Rotor Torque:	2.48 LB-FT
Temp. Rise @ S.F. Load:	50 C	Starting Current:	19.9 Amps

Load Characteristics

% of Rated Load	25	50	75	100	125	150	S.F.
Power Factor:	31.0	40.0	49.0	57.0	63.0	69.0	67.0
Efficiency:	27.0	42.0	51.0	55.0	58.0	59.0	59.0
Speed:	1779.0	1763.0	1745.0	1725.0	1705.0	1680.0	1690.0
Line Amperes:	4.4	4.6	4.8	5.0	5.4	5.8	5.6

Performance Graph at 115V, 60Hz, 0.25HP Typical performance - Not guaranteed values





CUSTOMER IS RESPONSIBLE FOR DETERMINING THAT MOTOR PERFORMANCE IS SUITABLE IN THE APPLICATION.

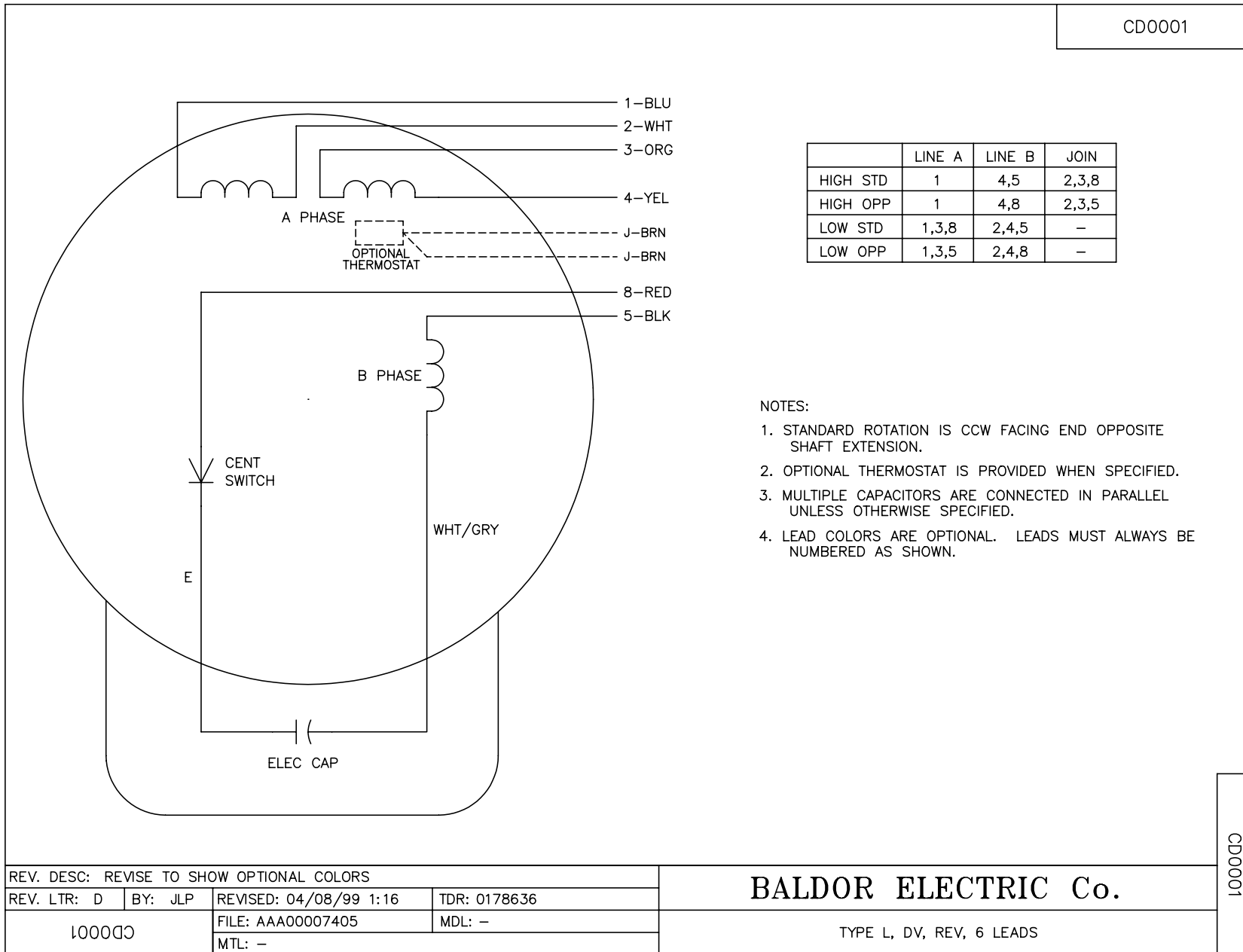
REV. DESC: UPDATE DRAWING'S PARTS		
REV. LTR: K	VERSION: 03	TDR: 000000450150
34LYC051	FILE: \AAA\00025\908	REVISED: 06:32:21 01/09/2008
	MTL: -	BY: ENROSTO

BALDOR • DODGE • RELIANCE

STD HORZ MODEL 34L NEMA 48 TEFC

34LYC051

CD0001



NOTES:

1. STANDARD ROTATION IS CCW FACING END OPPOSITE SHAFT EXTENSION.
2. OPTIONAL THERMOSTAT IS PROVIDED WHEN SPECIFIED.
3. MULTIPLE CAPACITORS ARE CONNECTED IN PARALLEL UNLESS OTHERWISE SPECIFIED.
4. LEAD COLORS ARE OPTIONAL. LEADS MUST ALWAYS BE NUMBERED AS SHOWN.

REV. DESC: REVISE TO SHOW OPTIONAL COLORS			
REV. LTR: D	BY: JLP	REVISED: 04/08/99 1:16	TDR: 0178636
100000		FILE: AAA00007405	MDL: -
		MTL: -	

BALDOR ELECTRIC Co.

TYPE L, DV, REV, 6 LEADS

CD0001